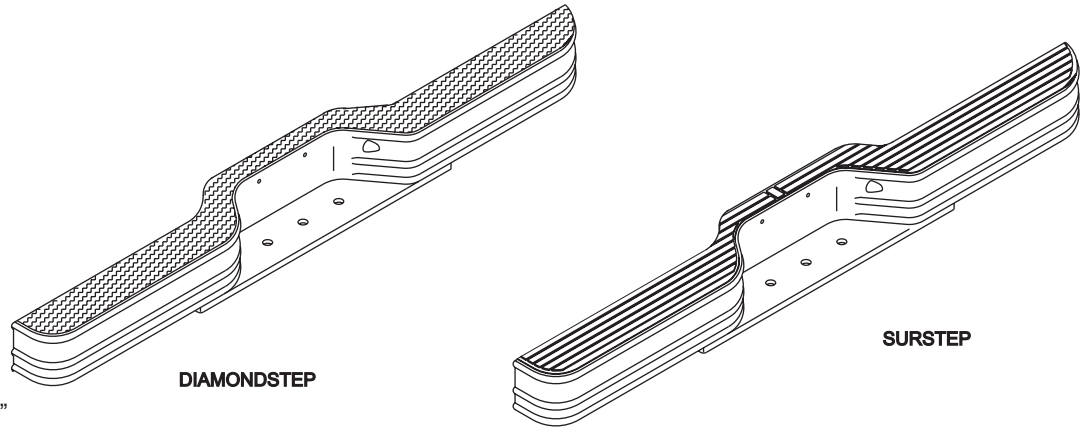




INSTALLATION INSTRUCTIONS

APPLICATION: 1979 - 1988 TOYOTA, PICKUP
 1983 - 1986 MITSUBISHI PICKUP &
 DODGE D-50
 MOUNT KIT: #44/94400



BUMPER OVERALL WIDTH: 61"
 HITCH WIDTH: 40-1/2"
 VEHICLE FRAME WIDTH: 41-1/4"

QTY	MOUNTING KIT CONTENTS	BUMPER KIT CONTENTS	TOOLS REQUIRED
1	DRIVER SIDE MOUNTING BRKT	1 BUMPER	3/4 SOCKET
1	PASSENGER SIDE MOUNTING BRKT	1 LICENSE PLATE LIGHT KIT	3/4 WRENCH
8	1/2" BOLT, NUT, FLAT WASHER, AND LOCK WASHER		RATCHET
			TORQUE WRENCH

- STEP 1: Using 1/2 inch hardware, loosely install mounting brackets on the outside of truck frame rails with the offset inboard. Refer to figures 1 and 2. DO NOT TIGHTEN mounting hardware at this time.
- STEP 2: Install bumper onto mounting brackets with brackets outside of bumper hitch. See figure 2. Use remaining 1/2 inch hardware. DO NOT TIGHTEN at this time.
- STEP 3: Position bumper squarely to tailgate and allow clearance for tailgate to open. Tighten hardware as follows: 1/2 to 60-65 ft lbs
- STEP 4: Using square plastic grommets and sheet metal screws, install license plate. See figure 3.
- STEP 5: Install pop lights into bumper (figure 4). Using supplied connectors, Splice pop light wires into truck illumination wire as shown in figure 4. Verify that license plate lights are working properly.

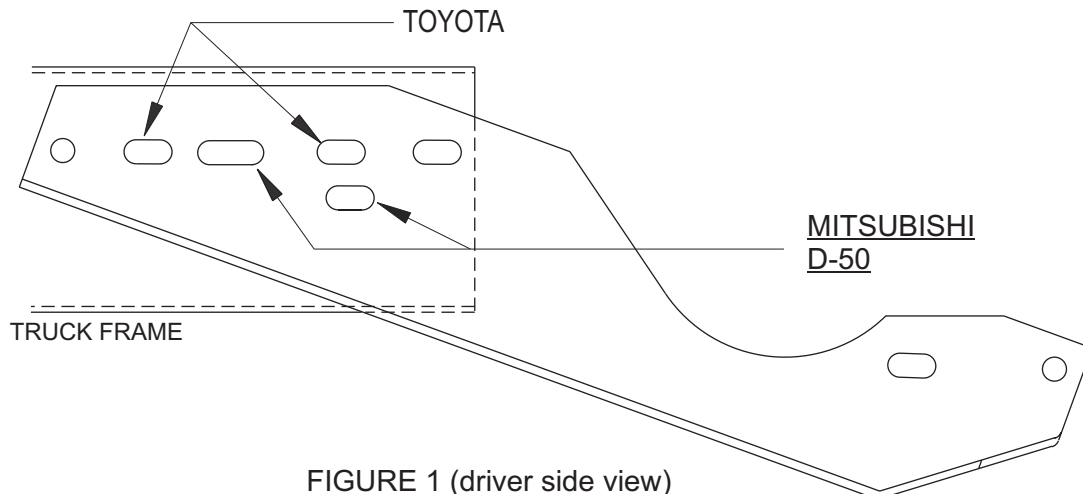


FIGURE 1 (driver side view)

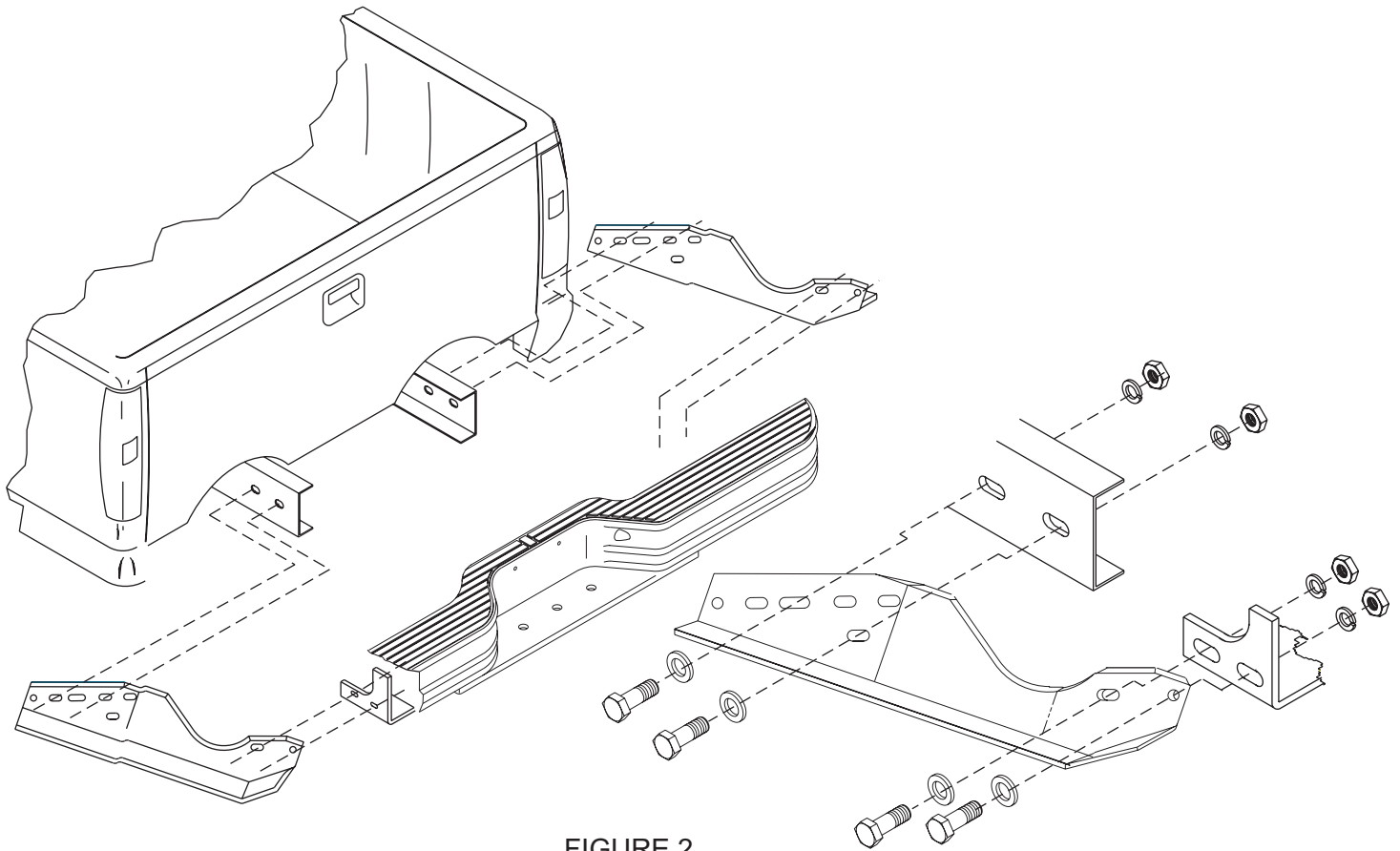


FIGURE 2

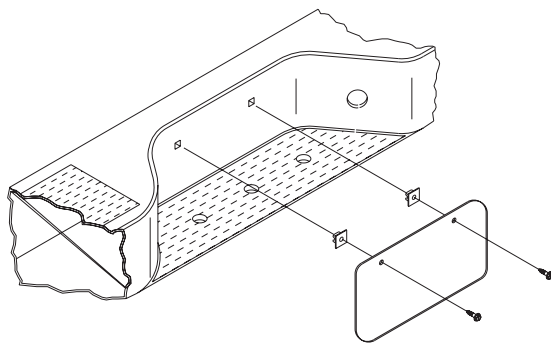


FIGURE 3

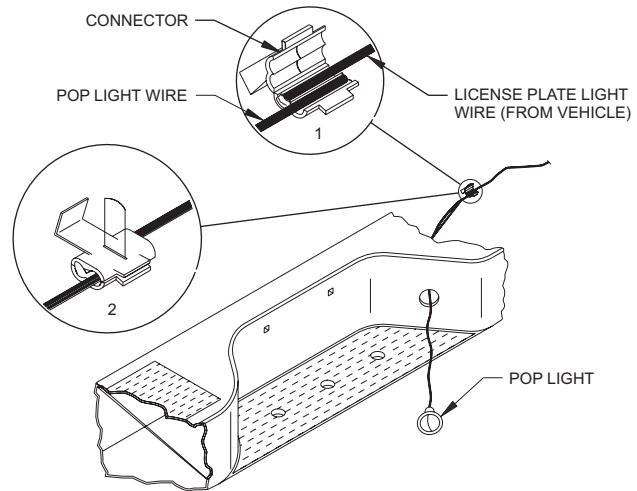


FIGURE 4