

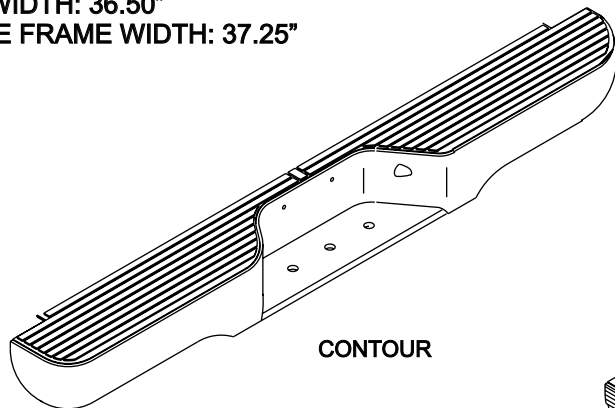


# INSTALLATION INSTRUCTIONS

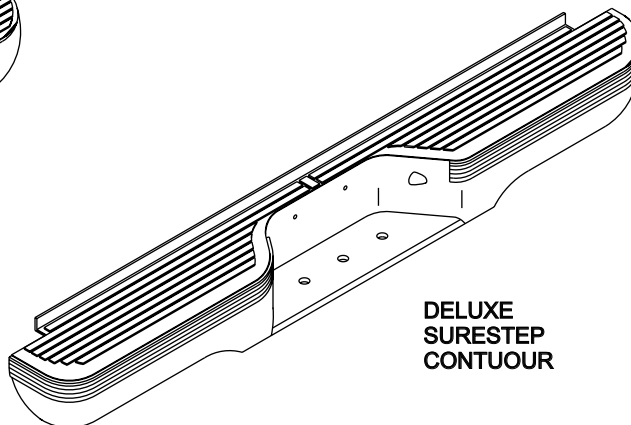
APPLICATION: 1994 - 2001 DODGE F/S PICKUP (1/2 TON)  
 1994 - 2002 DODGE F/S PICKUP (3/4, 1 TON)

MOUNT KIT: #224/92240

BUMPER WIDTH: 74.50"  
 HITCH WIDTH: 36.50"  
 VEHICLE FRAME WIDTH: 37.25"



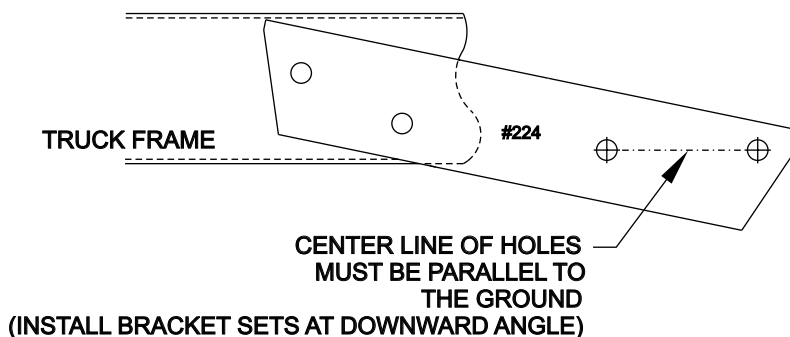
CONTOUR



DELUXE  
SURESTEP  
CONTOUR

QTY	MOUNTING KIT CONTENTS	BUMPER KIT CONTENTS	TOOLS REQUIRED
1	DRIVER SIDE MOUNTING BRKT	1 BUMPER	3/4" SOCKET 3/4" WRENCH RATCHET TORQUE WRENCH
1	PASSENGER SIDE MOUNTING BRKT	1 LICENSE PLATE LIGHT KIT	
8	1/2" HEX BOLT		
8	1/2" SPLIT LOCK WASHER		
8	1/2" FLAT WASHER		
8	1/2" NUT		

- STEP 1:** Using 1/2 inch hardware, loosely install mounting brackets on the outside of truck frame rails with the offset inboard. (See Figure 1 and 2). DO NOT TIGHTEN mounting hardware.
- STEP 2:** Install bumper onto mounting brackets with brackets outside of bumper hitch. (See Figure 2). Use remaining 1/2 inch hardware. DO NOT TIGHTEN. (NOTE: If bumper is too high, brackets are reversed).
- STEP 3:** Position bumper squarely to tailgate and allow clearance for tailgate to open. Tighten hardware 60-65 ft. Lbs.
- STEP 4:** Using square plastic grommets and sheet metal screws, install license plate. (See Figure 3).
- STEP 5:** Install pop lights into bumper (See Figure 4). Using supplied connectors, splice pop light wires into truck illumination wire as shown (See Figure 4). Verify that license plate lights are working properly.



**FIGURE 1**  
(DRIVER SIDE)

