

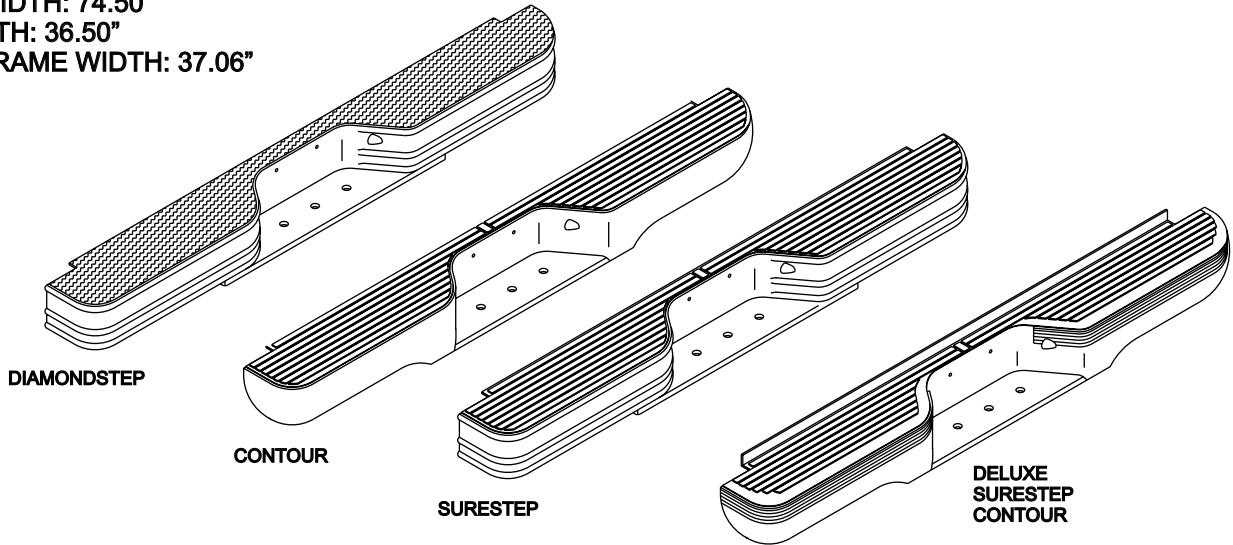


INSTALLATION INSTRUCTIONS

APPLICATION: 1988-1998 CHEVY/GMC F/S TRUCK (1/2 TON)
 1988-2000 CHEVY/GMC F/S TRUCK (3/4 + 1 TON)
 1992-2000 CHEVY/GMC F/S TRUCK (CREW CAB)

MOUNT KIT: #222

BUMPER WIDTH: 74.50"
 HITCH WIDTH: 36.50"
 VEHICLE FRAME WIDTH: 37.06"



QTY	MOUNTING KIT CONTENTS	QTY	BUMPER KIT CONTENTS	TOOLS REQUIRED
1	DRIVER SIDE MOUNTING BRKT	1	BUMPER	9/16" INCH SOCKET
1	PASSENGER SIDE MOUNTING BRKT	1	LICENSE PLATE LIGTH KIT	9/16" INCH WRENCH
8	1/2" HEX BOLT			15mm SOCKET
8	1/2" SPLIT LOCK WASHER			15mm WRENCH
8	1/2" FLAT WASHER			3/4" SOCKET
8	1/2" NUT			3/4" WRENCH
2	3/8" HEX BOLT			RATCHET
2	3/8" SPLIT LOCK WASHER			TORQUE WRENCH
2	3/8" FLAT WASHER			
2	3/8" NUT			

- STEP 1:** SHORT BED ONLY - Remove the 10mm shackle bolt from both frame rails prior to installing mounting bracket. (See figure 1)
 LONG BED ONLY - Remove ground wire and wiring harness retaining strap from driver side frame rail only. Re-attach ground wire after installation is complete.
- STEP 2:** Using 1/2 inch hardware, loosely install mounting brackets on the inside of truck frame rails with the offset inwards. (See Figure 1 and 2) Short bed models install 3/8 inch hardware in place of 10mm shackle bolt. DO NOT TIGHTEN mounting hardware.
- STEP 3:** Install bumper onto mounting brackets with brackets inside of bumper hitch. (See figure 2.) Use remaining 1/2 inch hardware. DO NOT TIGHTEN.
- STEP 4:** Position bumper squarely to tailgate and allow clearance for tailgate to open. Tighten hardware as follows: 3/8 inch to 30-35 ft-lb, 1/2 inch to 60-65 ft-lbs.
- STEP 5:** Install rubber grommet into the spare tire crank hole. Using square plastic grommets and sheet metal screws, install license plate. (See figure 3.)
- STEP 6:** Install pop lights into bumper (See figure 4). Using supplied connectors, splice pop light wires into truck illumination wire as shown (See figure 4). Verify that license plate lights are working properly.

