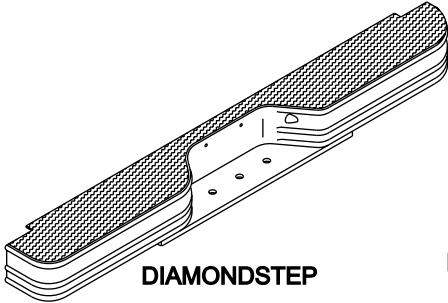




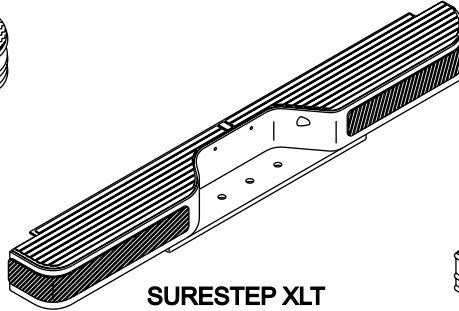
# INSTALLATION INSTRUCTIONS

APPLICATION: 1995 - UP TOYOTA TACOMA

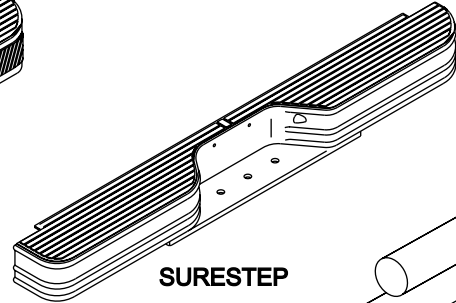
MOUNT KIT: #37/93700  
#428/94280



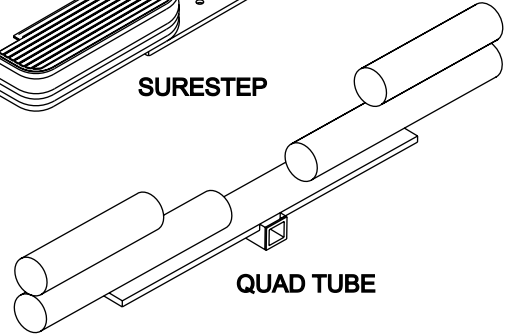
DIAMONDSTEP



SURESTEP XLT



SURESTEP



QUAD TUBE

HITCH WIDTH: 40.50"  
VEHICLE FRAME WIDTH: 41.30"

QTY	MOUNTING KIT CONTENTS	QTY	BUMPER KIT CONTENTS	TOOLS REQUIRED
1	DRIVER SIDE MOUNTING BRKT	1	BUMPER	3/4" SOCKET
1	PASSENGER SIDE MOUNTING BRKT	1	LICENSE PLATE LIGTH KIT	18mm SOCKET
8	1/2" SPLIT LOCK WASHER			3/4" WRENCH
8	1/2" FLAT WASHER			RATCHET
2	12mm BOLT			TORQUE WRENCH
6	1/2-13 BOLT			
6	1/2-13 HEX NUT			

**STEP 1:** Install mounting brackets on frame rails using the 1/2-13 X 1-1/2 bolts, 12mm bolts, washers and nuts as per illustration. **DO NOT TIGHTEN BOLTS YET.**

**STEP 2:** Install bumper onto mounting brackets with brackets outside of bumper hitch. Use remaining 1/2 inch hardware. **DO NOT TIGHTEN.**

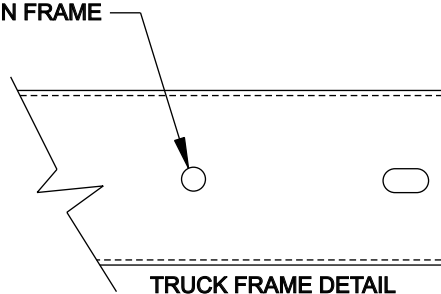
**STEP 3:** Position the bumper squarely with tail gate and allow clearance for opening. Torque all bolts to 65-70 ft-lbs.

**NOTE: THESE STEPS ARE NOT USED FOR QUAD TUBE BUMPERS.**

**STEP 4:** Using square plastic grommets and metal screws, install license plate (See Figure 1).

**STEP 5:** Install pop lights into bumper (See Figure 2). Using supplied connectors, splice pop light wires into truck illumination wire as shown (See Figure 2). Verify that license plate lights are working properly.

12mm NUT IN FRAME



TRUCK FRAME DETAIL

