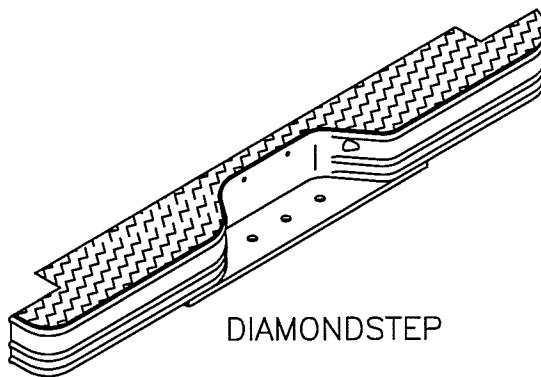




INSTALLATION INSTRUCTIONS

APPLICATION: 1987-92 JEEP COMMANCHE

MOUNT KIT: #79/97900



DIAMONDSTEP

BUMPER OVERALL: 64.00

HITCH WIDTH: 45.00

VEHICLE FRAME WIDTH: 45.00

MOUNTING KIT CONTENTS	BUMPER KIT CONTENTS	TOOLS REQUIRED
1 DRIVER SIDE MOUNTING BRKT 1 PASSENGER SIDE MOUNTING BRKT 4 1/2 BOLT, NUT, FLAT WASHER, AND LOCK WASHER 6 10mm HEX BOLT/LOCK WASHER 12 3/8 FLAT WASHERS	1 BUMPER 1 LICENSE PLATE LIGHT KIT	3/4 SOCKET 3/4 WRENCH 16mm SOCKET RATCHET TORQUE WRENCH

STEP 1: Using 10mm bolts and 3/8 washers loosely install mounting brackets on the outside of truck frame rails. Note: the 3/8 washers are used as spacers between the mounting bracket and frame.

Refer to figure 1 and 2. DO NOT TIGHTEN mounting hardware.

STEP 2: Using outer verticals, install bumper onto mounting brackets with brackets outside of bumper verticals. See figure 2. Use 1/2 inch hardware. DO NOT TIGHTEN.

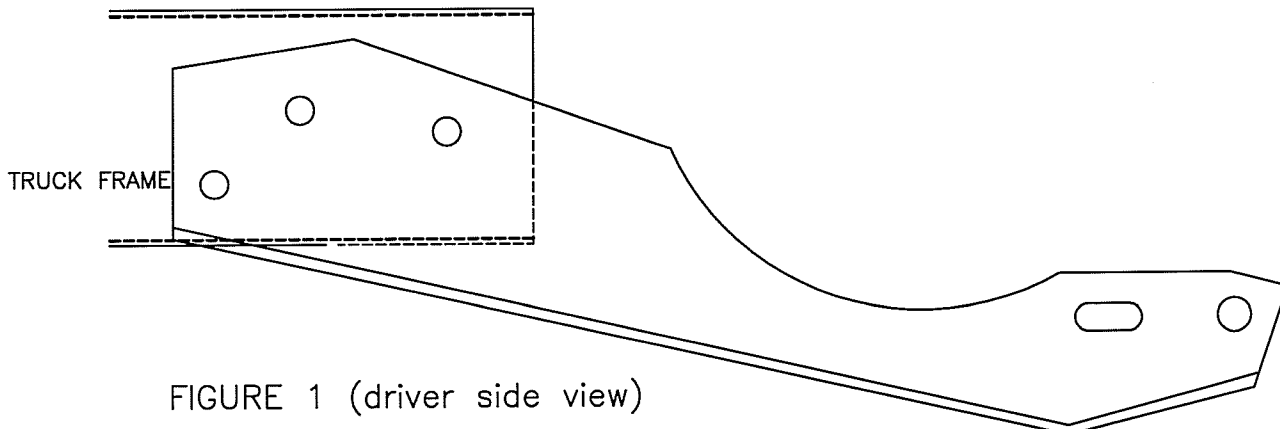


FIGURE 1 (driver side view)

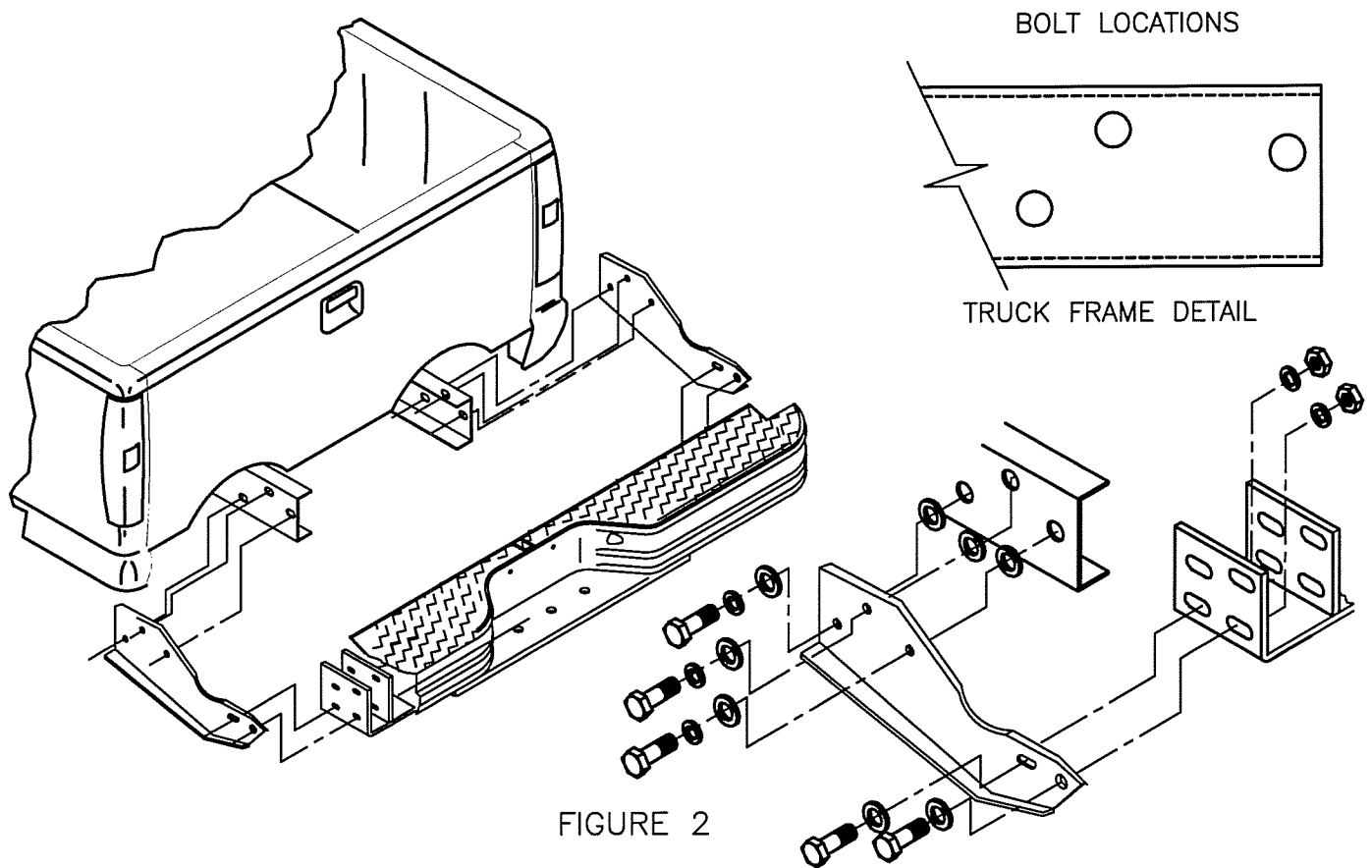


FIGURE 2

STEP 3: Position bumper squarely to tailgate and allow clearance for tailgate to open. Tighten hardware as follows:

1/2 to 60–65 ft lbs
10mm to 30 ft lbs

STEP 4: Using square plastic grommets and sheet metal screws, install license plate. See figure 3.

STEP 5: Install pop lights into bumper (figure 4). Using supplied connectors, splice pop light wires into truck illumination wire as shown in figure 4. Make sure license plate lights are working properly.

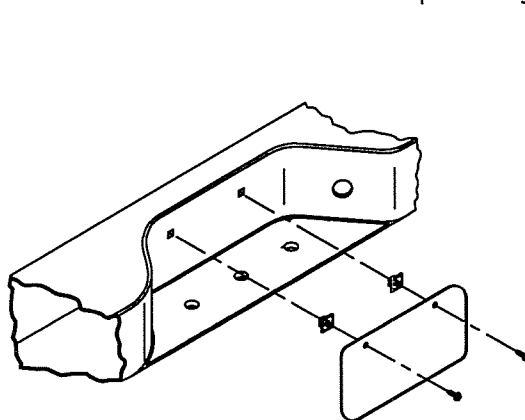


FIGURE 3

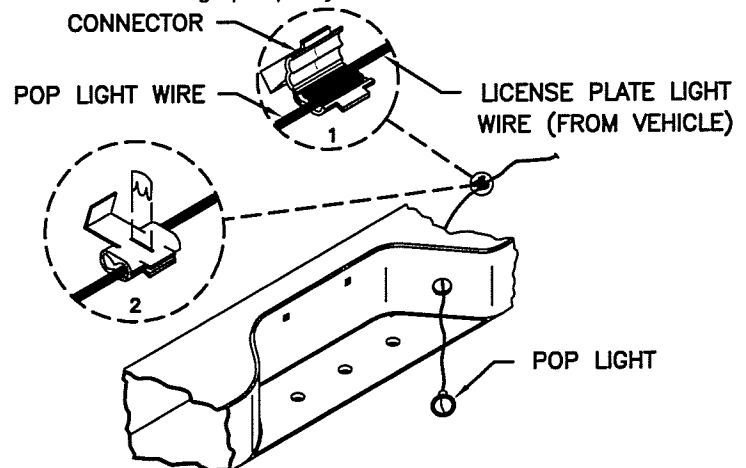


FIGURE 4