

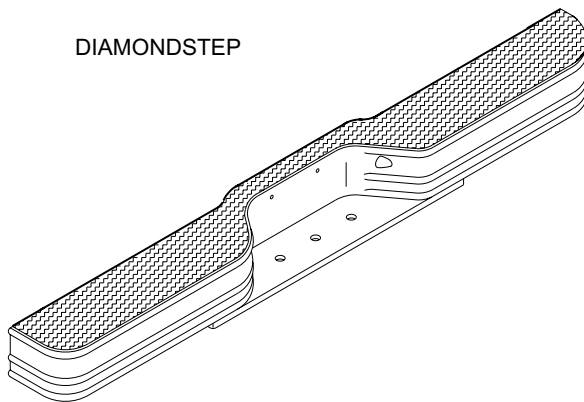


INSTALLATION INSTRUCTIONS

APPLICATION: 1988-1995 ISUZU PICKUP

MOUNT KIT: #57/95700

DIAMONDSTEP



BUMPER WIDTH: 64.5
 FRAME WIDTH: 40.5
 HITCH WIDTH: 42.38

	MOUNTING KIT CONTENTS		BUMPER KIT CONTENTS	TOOLS REQUIRED
1	DRIVER SIDE MOUNTING BRACKET	1	BUMPER	3/4 SOCKET
1	PASSENGER SIDE MOUNTING BRACKET	1	LICENSE PLATE LIGHT KIT	3/4 WRENCH
8	1/2 BOLT, NUT, FLAT WASHER, AND LOCK WASHER			RATCHET
				TORQUE WRENCH

STEP 1: Using 1/2 inch hardware, loosely install mounting brackets on the outside of truck frame rails with the offset outward. Refer to Figure 1 and 2. DO NOT TIGHTEN mounting hardware.

STEP 2: Install bumper onto mounting brackets with brackets outside of bumper hitch. See figure 2. Use remaining 1/2 inch hardware. DO NOT TIGHTEN.

STEP 3: Position bumper squarely to tailgate and allow clearance for tailgate to open. Tighten hardware as follows: 1/2 to 60-65 ft lbs

STEP 4: Using square plastic grommets and sheet metal screws, install license plate See figure 3.

STEP 5: Install pop lights into bumper (figure 4). Using supplied connectors, splice pop light wires into truck illumination wire as shown in figure 4. Make sure license plate lights are working properly.

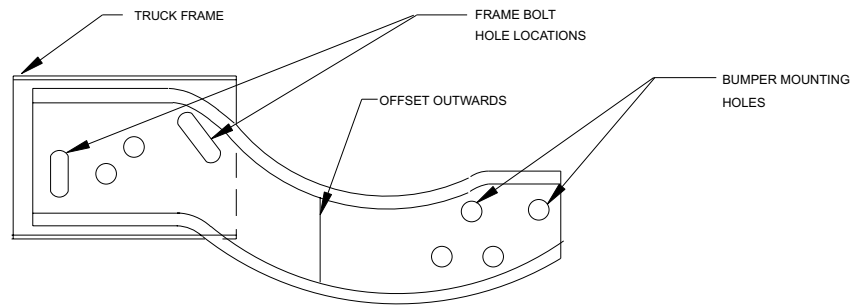


FIGURE 1 (DRIVER SIDE)

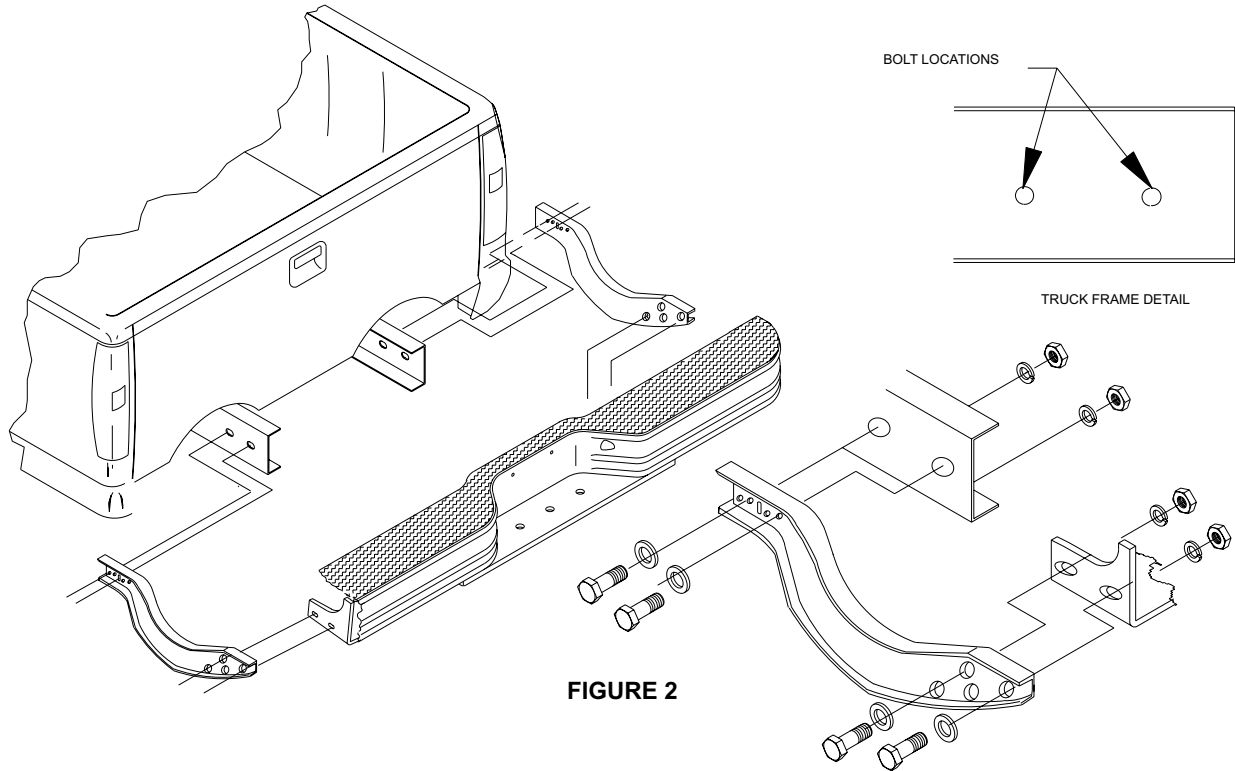


FIGURE 2

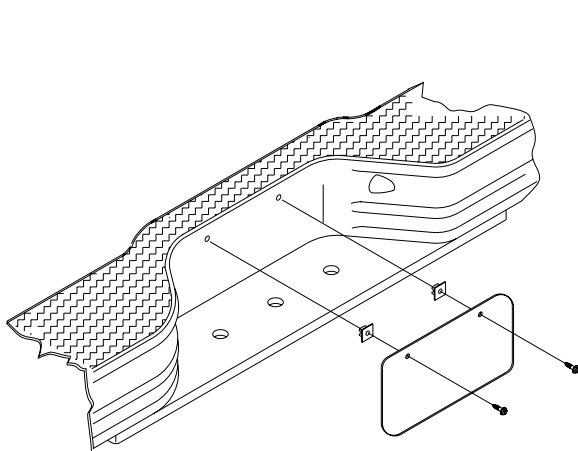


FIGURE 3

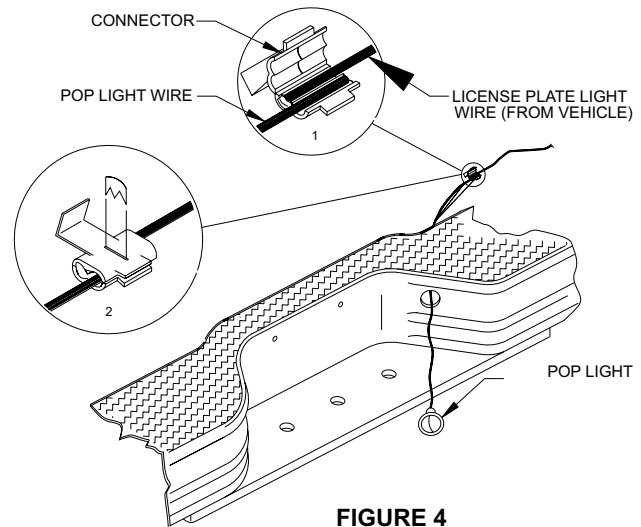


FIGURE 4