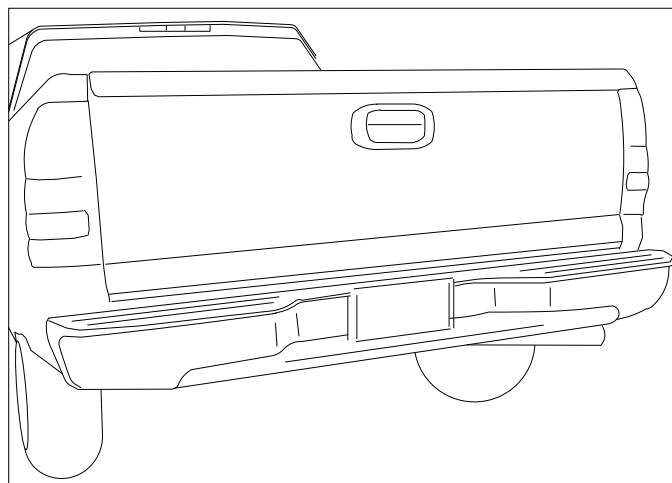




# INSTALLATION INSTRUCTIONS

APPLICATION: 1999 & UP CHEVY/GMC F/S TRUCK  
1500/2500 LIGHT DUTY

BUMPER KIT: 31006  
32006



PERFECT MATCH BUMPER

### MOUNTING KIT CONTENTS

ITEM	QTY	DESCRIPTION
1	1	MOUNTING BRACKET, DRIVER SIDE, OUTER
2	1	MOUNTING BRACKET, DRIVER SIDE, INNER
3	1	MOUNTING BRACKET, PASSENGER SIDE, OUTER
4	1	MOUNTING BRACKET, PASSENGER SIDE, INNER
5	2	M14-2.0 X 40 HEX HEAD BOLT
6	2	M14-2.0 HEX NUT
7	4	M14 FLAT WASHER
8	2	M14 SPLIT LOCK WASHER
9	2	1/2-13 X 1.25 CARRIAGE SCREW
10	8	1/2-13 X 1.5 HEX HEAD BOLT
11	10	1/2" SPLIT LOCK WASHER
12	12	1/2" FLAT WASHER
13	12	1/2-13 HEX NUT
14	2	3/8-16 X 1.5 HEX HEAD BOLT
15	2	3/8-16 HEX NUT
16	4	3/8" FLAT WASHER
17	2	3/8" LOCK WASHER

### TOOLS REQUIRED

- 9/16" SOCKET
- 9/16" WRENCH
- 22mm SOCKET
- 22mm WRENCH
- 3/4" SOCKET
- 3/4" WRENCH
- RATCHET
- TORQUE WRENCH
- WIRE CRIMPING TOOL

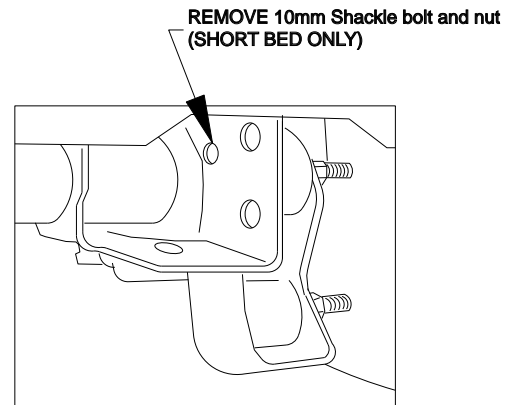
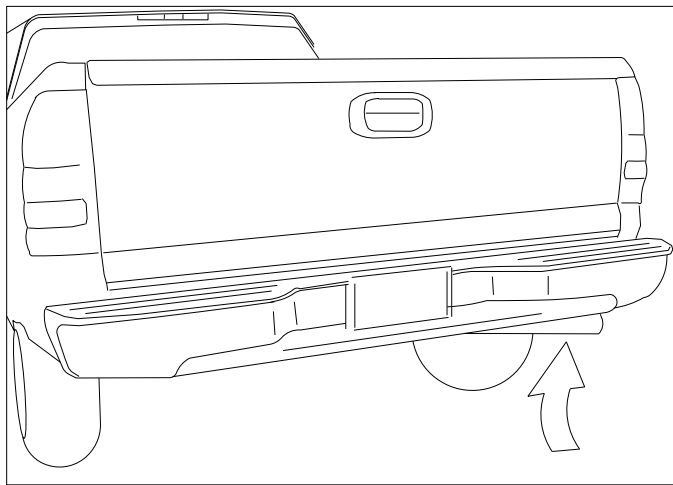
### BUMPER KIT CONTENTS

QTY	DESCRIPTION
1	BUMPER
1	LICENSE PLATE MOUNT / LIGHT KIT #887153

**STEP 1: SHORT BED ONLY** - Remove the 10mm shackle bolt nuts from both frame rails prior to installing mounting brackets (See Figure 1).

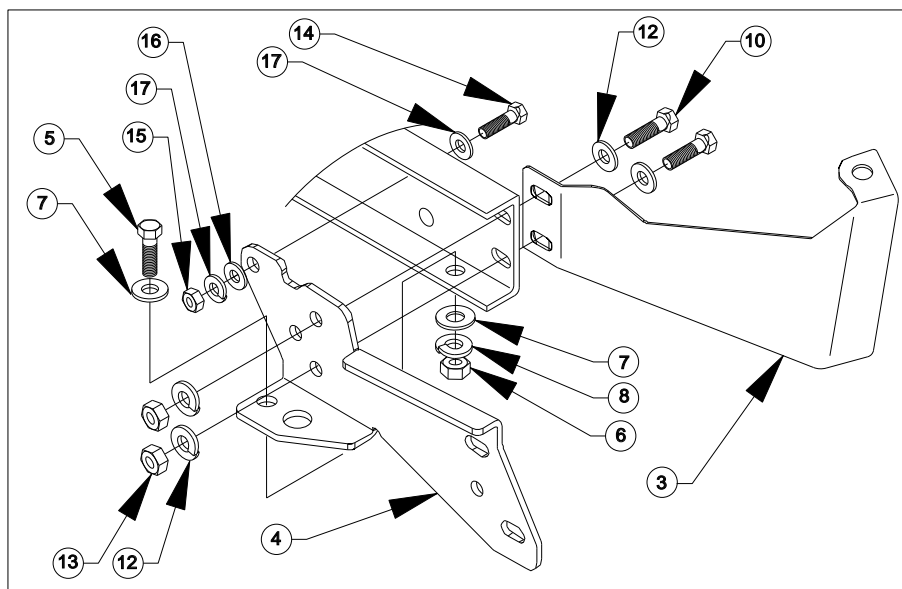
**STEP 2:** Using 3/8 inch, 1/2 inch and M14 hardware, loosely install inner and outer mounting brackets on the inside and outside of truck frame rails. Refer to Figure 1 and 2.

**DO NOT TIGHTEN** mounting hardware.



**MOUNT HOLE LOCATIONS  
(PASSENGER SIDE SHOWN)**

**FIGURE 1**

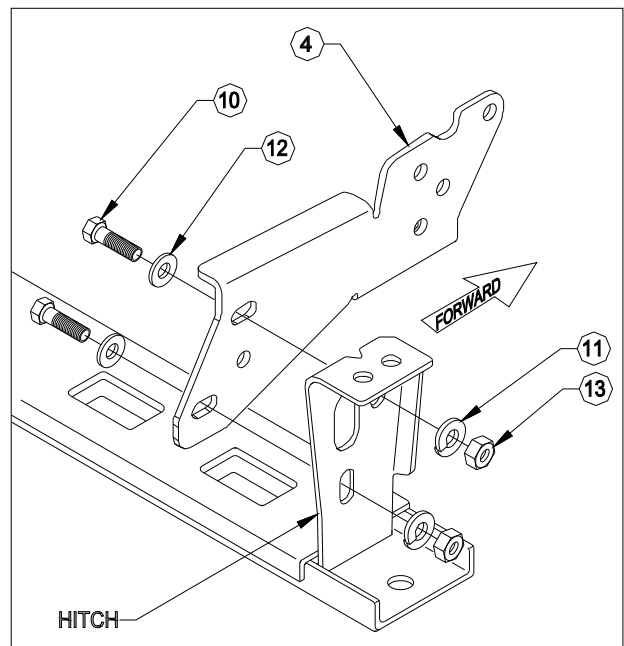
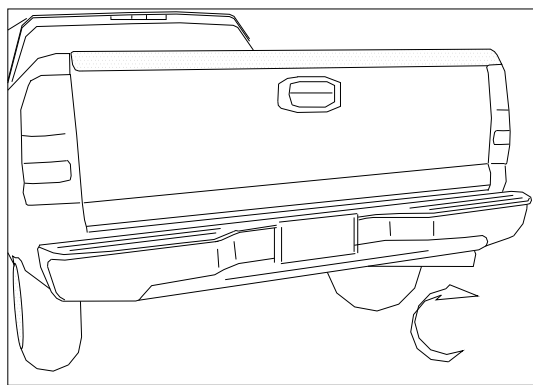


**FIGURE 2  
(PASSENGER SIDE SHOWN)**

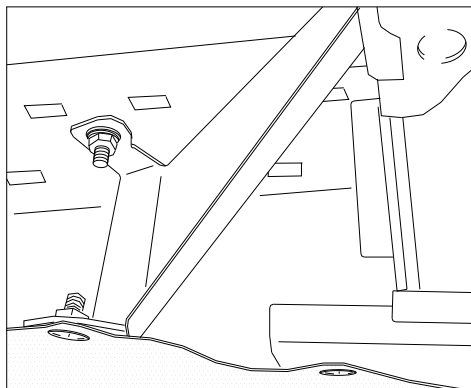
**STEP 3:** Install bumper onto mounting brackets with inner brackets inside of bumper hitch. Use remaining 1/2 inch hardware. **DO NOT TIGHTEN.** See Figure 3, 4 and Detail A.

**STEP 4:** Position bumper squarely to tailgate and allow clearance for tailgate to open. Tighten hardware as follows:

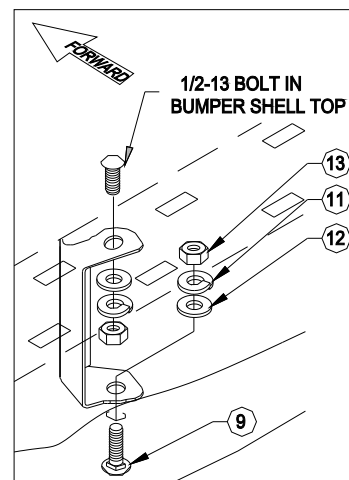
- 3/8 inch to 35-40 ft lbs
- 1/2 inch to 60-65 ft lbs
- M14 to 70-80 ft lbs



**FIGURE 3**

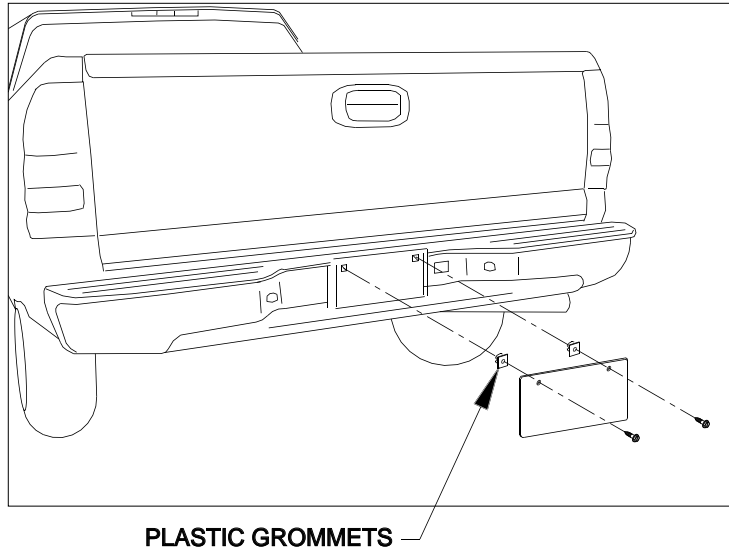


**FIGURE 4**



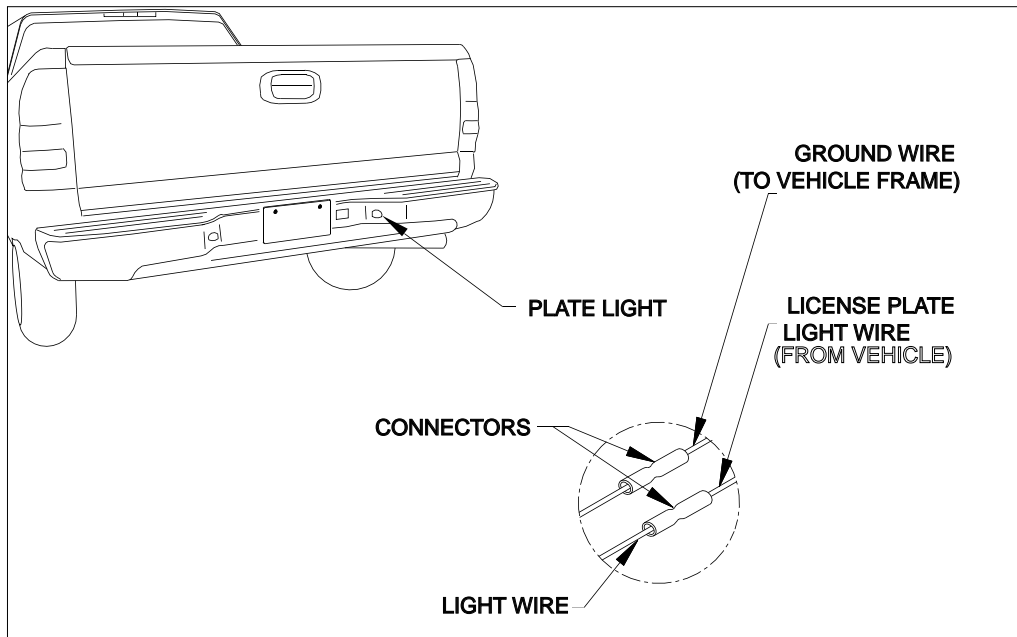
**DETAIL A**

**STEP 5: Using square plastic grommets and sheet metal screws, install license plate.**  
See Figure 5.



**FIGURE 5**

**STEP 6: Install license plate lights into bumper (Figure 6). Using supplied connectors, splice license plate light wires into truck illumination wire as shown in Figure 6. Make sure license plate lights are working properly.**



**FIGURE 6**