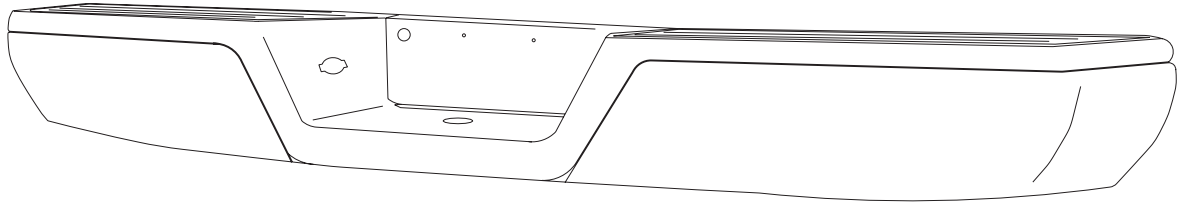




INSTALLATION INSTRUCTIONS

APPLICATION: DODGE DAKOTA TRUCK 97-UP ALL MODELS
 2003 REG CAB & EXT. CAB
 *(DOES NOT INCLUDE DAMPING BAR)

PN: 31012/32012



PERFECT MATCH BUMPER

QTY	MOUNTING KIT CONTENTS DESCRIPTIONS	TOOLS REQUIRED
1 1 1 1 10 20 10 10 2 2 2	MOUNTING BRACKET, DRIVER SIDE, OUTER MOUNTING BRACKET, PASSENGER SIDE, OUTER MOUNTING BRACKET, DRIVER SIDE, INNER MOUNTING BRACKET, PASSENGER SIDE, INNER 1/2-13 X 1.50" HEX HEAD BOLT 1/2" FLAT WASHER 1/2" SPLIT LOCK WASHER 1/2" HEX NUT 1/2-13 X 1.25 SHORT NECK CARRIAGE SCREW 1/2-13 HEX FLANGED LOCK NUT 7/16-14 HEX FLANGED LOCK NUT	3/4" WRENCH 3/4" SOCKET RATCHET TORQUE WRENCH 11/16" SOCKET
QTY	BUMPER KIT CONTENTS DESCRIPTION	
1	BUMPER *(DAMPING BAR AND ITS HARDWARE MUST BE PURCHASED FROM THE DEALER)	

- STEP 1: Install inner mounting brackets to bumper hitch using 1/2" hex head bolt, locking hex nut. Loosely assemble. (Note: flange on brackets face outward.) (See Figure 1)
- STEP 2: Install outer mounting brackets to bumper shell using 1/2" square neck bolts & locking hex nuts. Loosely assemble. (See Figure 2)
- STEP 3: Loosely install bumper assembly to outside of frame rails using 1/2" hex head bolts & locking hex nuts. (See Figure 2)
- STEP 4: Position bumper squarely to tailgate and allow clearance for tailgate to open. Tighten & torque 1/2" hardware to 60-65 ft lbs, 7/16" hardware to 40-45 ft-lbs.
- STEP 5. Install license plate lights into bumper. Using supplied connectors, splice light wires into truck illumination wire as show. Make sure license plate lights are working properly. (See Figure 2)

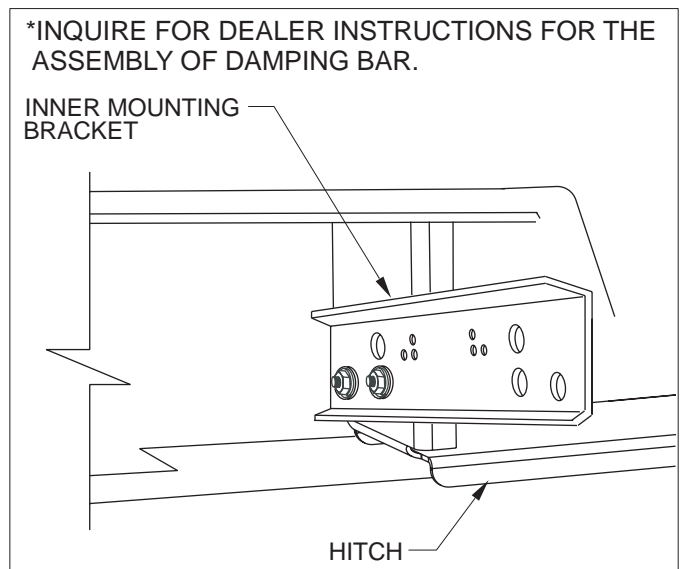
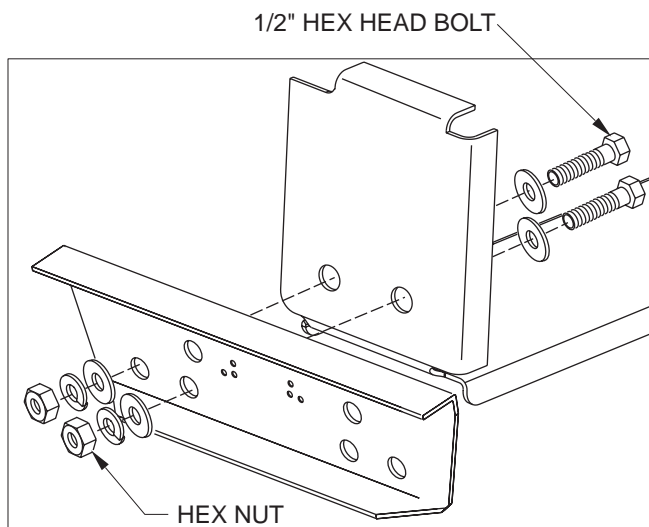
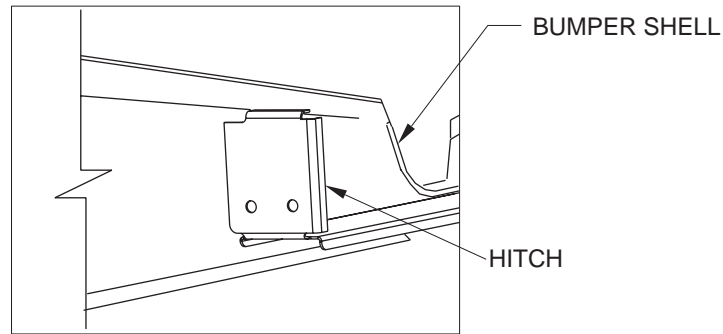
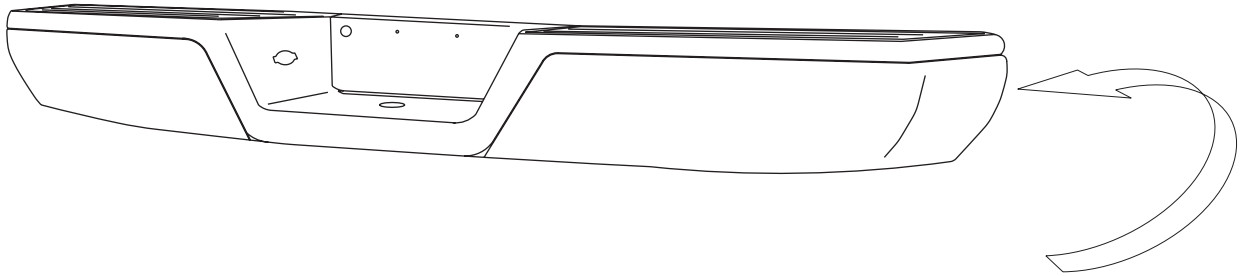
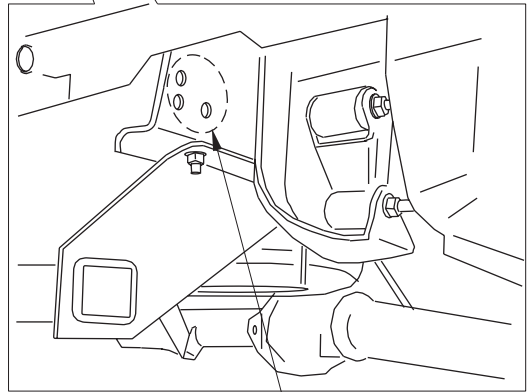
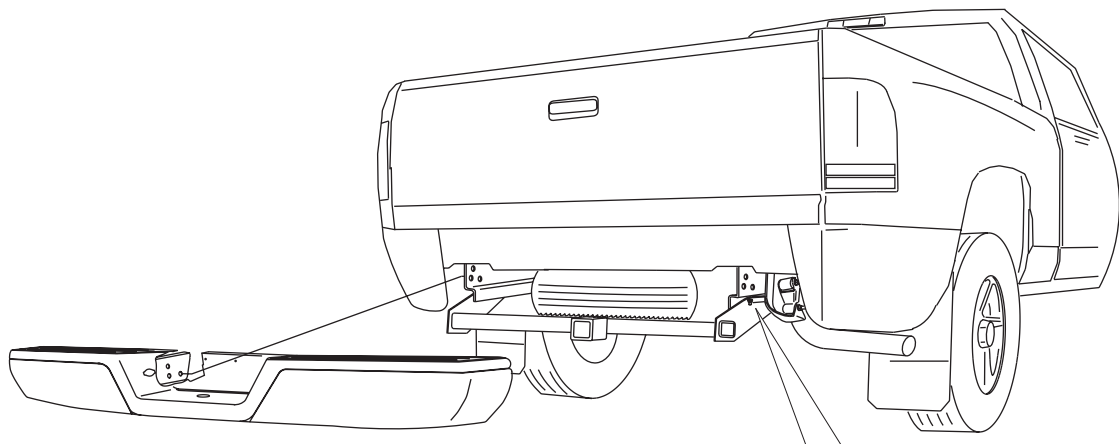


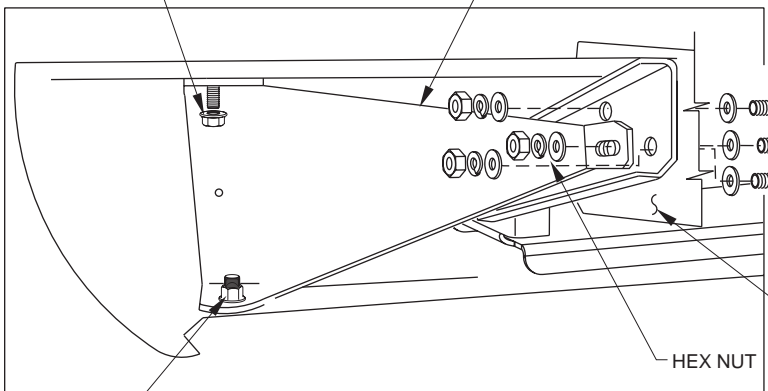
FIGURE 1 (PASSENGER SIDE VIEW)



7/16" HEX NUT, FLANGED
(TOP BOLT IS PRE-INSTALLED)

OUTER MOUNTING
BRACKET

USE THESE HOLES
IN FRAME RAIL



1/2" HEX HEAD BOLT

FRAME RAIL

HEX NUT

1/2" SQUARE NECK BOLT,
HEX NUT, FLANGED

LICENSE PLATE LIGHT WIRE
(FROM VEHICLE)

CONNECTOR

POP LIGHT WIRE

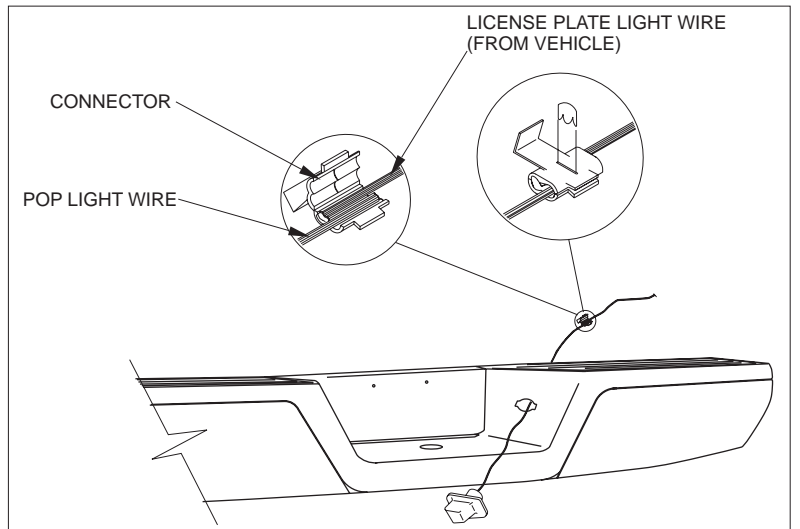


FIGURE 2 (PASSENGER SIDE VIEW)

FEY AUTOMOTIVE PRODUCTS

Looking for dependable off-road bumpers?
Rely on Fey Automotive for quality and long-lasting products.