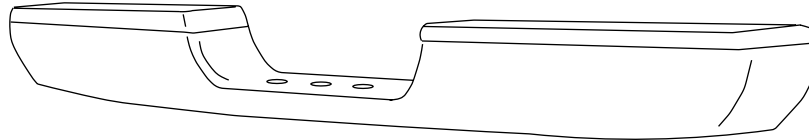




INSTALLATION INSTRUCTIONS

APPLICATION: 1994 - 2001 (1/2 TON) DODGE RAM TRUCK
 1994 - 2002 (3/4 AND 1 TON) DODGE RAM TRUCK

BUMPER KIT: 31005
 32005



PERFECT MATCH BUMPER

QTY	MOUNTING KIT CONTENTS	QTY	BUMPER KIT CONTENTS	TOOLS REQUIRED
1	MOUNTING BRACKET, DRIVER SIDE, OUTER	1	BUMPER	11/16" WRENCH 11/16" SOCKET 3/4" WRENCH 3/4" SOCKET RATCHET TORQUE WRENCH
1	MOUNTING BRACKET, PASSENGER SIDE, OUTER			
2	MOUNTING BRACKET, INNER			
10	1/2-13 X 1 1/2 HEX HEAD BOLT			
2	7/16-14 X 1 1/2 SQUARE NECK BOLT			
10	1/2-13 SERRATED FLANGE HEX NUT			
4	7/16-14 SERRATED FLANGE HEX NUT			

- STEP 1: Install inner mounting brackets to bumper hitch using 1/2" hex head bolt, locking hex nut. Refer to Figure 1. Loosely assemble. (Note: flange on brackets face outward.)
- STEP 2: Install outer mounting brackets to bumper shell using 7/16" square neck bolts. locking hex nut. Refer to Figure 2. Loosely assemble.
- STEP 3: Loosely install bumper assembly to outside of frame rails using 1/2" hex head bolts, locking hex nuts. Refer to Figure 2.
- STEP 4: Position bumper squarely to tailgate and allow clearance for tailgate to open Tighten hardware as follows: 1/2" hardware to 60-65 ft lbs. 7/16" hardware to 35-40 ft lbs.

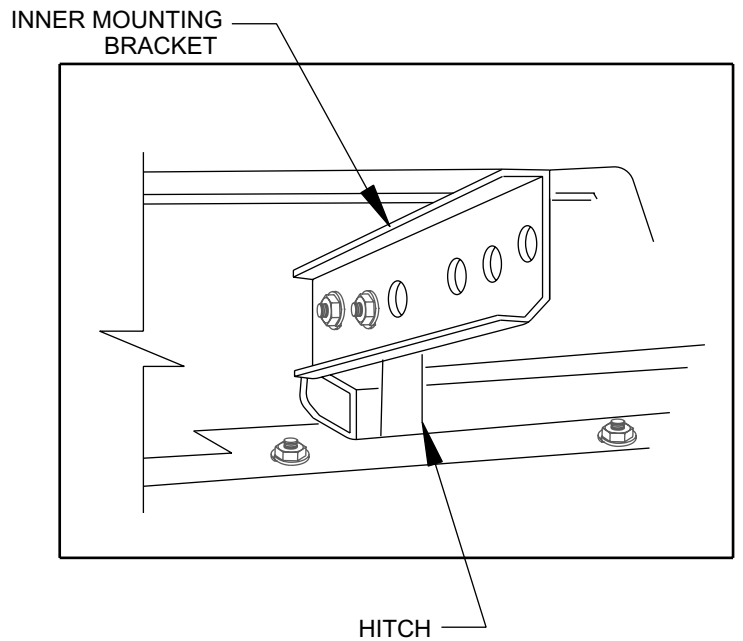
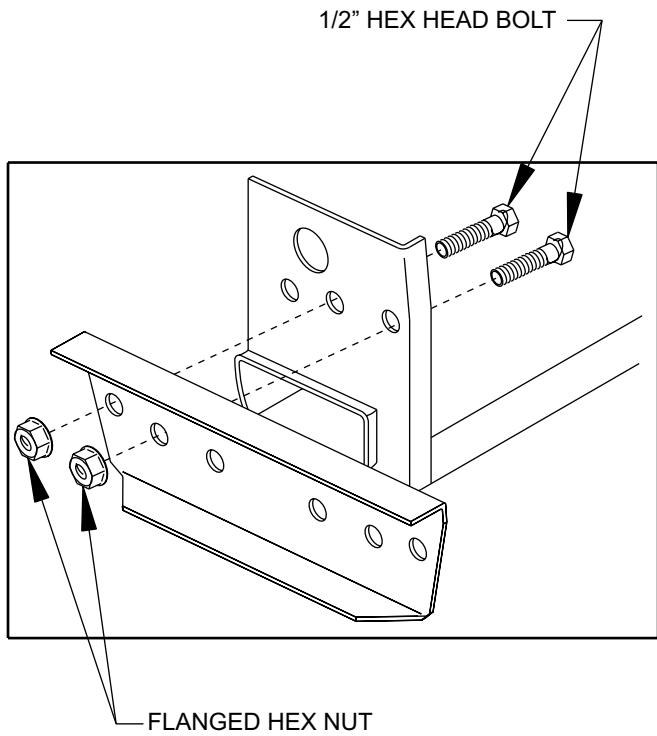
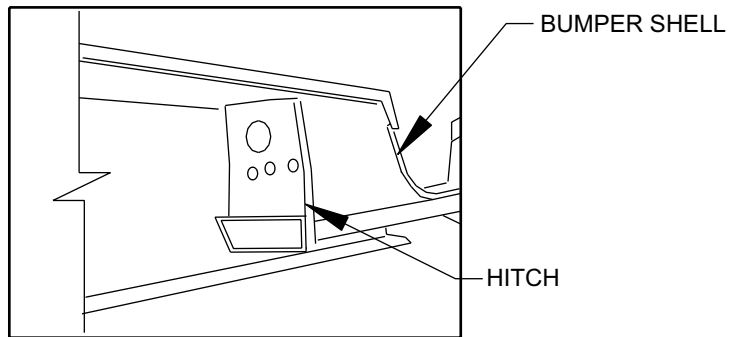
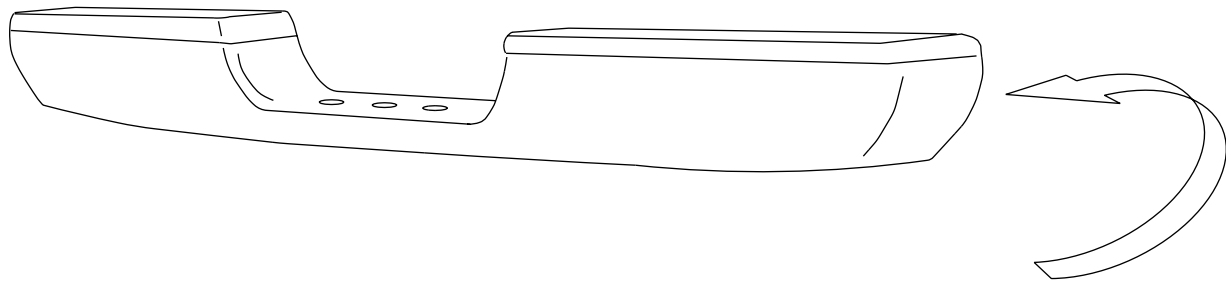


FIGURE 1 (PASSENGER SIDE VIEW)

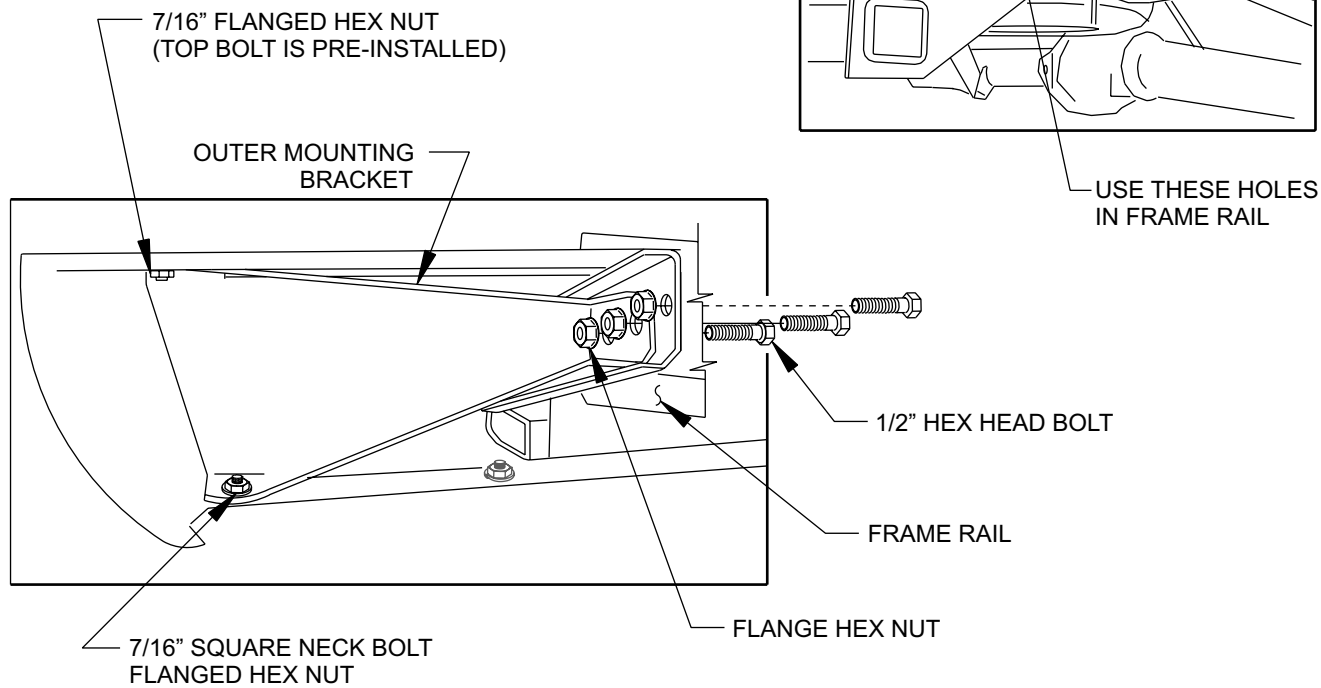
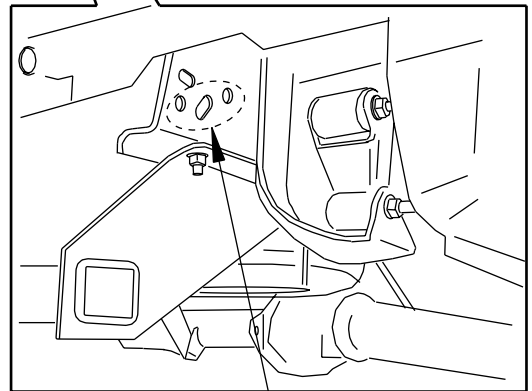
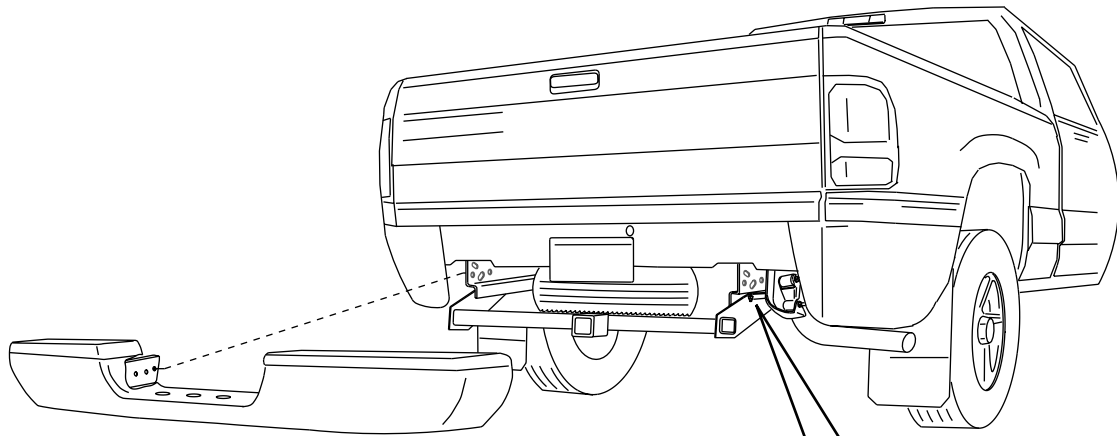


FIGURE 2 (PASSENGER SIDE VIEW)