

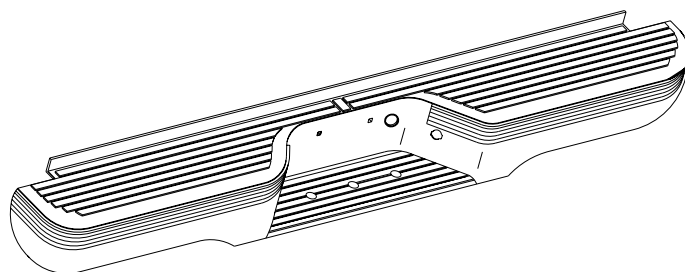


INSTALLATION INSTRUCTIONS

APPLICATION: 1992 - 1999 CHEVY / GMC F/S SUV

BUMPER KIT

31001



BUMPER WIDTH: 74.50
 HITCH WIDTH: 37.25
 VEHICLE FRAME WIDTH: 37.06

PERFECT MATCH BUMPER

QTY	PART KIT CONTENTS DESCRIPTION	TOOLS REQUIRED	QTY	BUMPER KIT CONTENTS DESCRIPTION
1	MOUNTING BRACKET, DRIVER SIDE, OUTER	18MM WRENCH	1	BUMPER
1	MOUNTING BRACKET, PASSENGER SIDE, OUTER	3/4" SOCKET	1	LICENSE PLATE MOUNT
2	M12 X 1.75 X 40mm HEX HEAD BOLTS	3/4" WRENCH		LIGHT KIT #887153
8	1/2-13 X 2" HEX HEAD BOLTS	RATCHET		
18	1/2" FLAT WASHERS	TORQUE WRENCH		
8	1/2" LOCK WASHERS	SCREWDRIVER		
8	1/2" HEX NUTS	PLIERS		

- STEP 1.** Remove contents from the box and check for any damage. Verify all parts against parts list. Read and understand instructions completely before beginning installation.
- STEP 2:** Install bumper onto frame with hitch located outside of frame on both sides. Refer to Figure 1. Use 1/2" hardware. **DO NOT TIGHTEN.**
- STEP 3:** Using 1/2" hardware, loosely install outer mounting brackets on the inside of bumper. Refer to Figure 2.
- STEP 4:** Loosely install tube end of outer mount bracket to top of frame rail. Refer to Figure 2. (M12 x 40 mm bolt and 1/2" flat washer mount thru hole in tube end of outer mount bracket into clip-nut mounted to top of frame rail.)
- STEP 5:** Position bumper squarely to tailgate and allow clearance for tailgate to open. Tighten 1/2" hardware to 60-65 ft lbs., M12 hex head bolt to 55-60 ft lbs.
- STEP 6.** Use square plastic grommets and screws to install license plate (See Figure 2).
- STEP 7.** Install license plate lights into bumper. Splice light wires into truck wiring using supplied connectors. Ensure license plate lights are functioning properly. (See Figure 3).

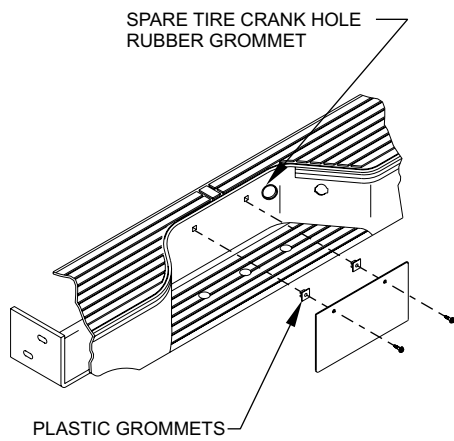
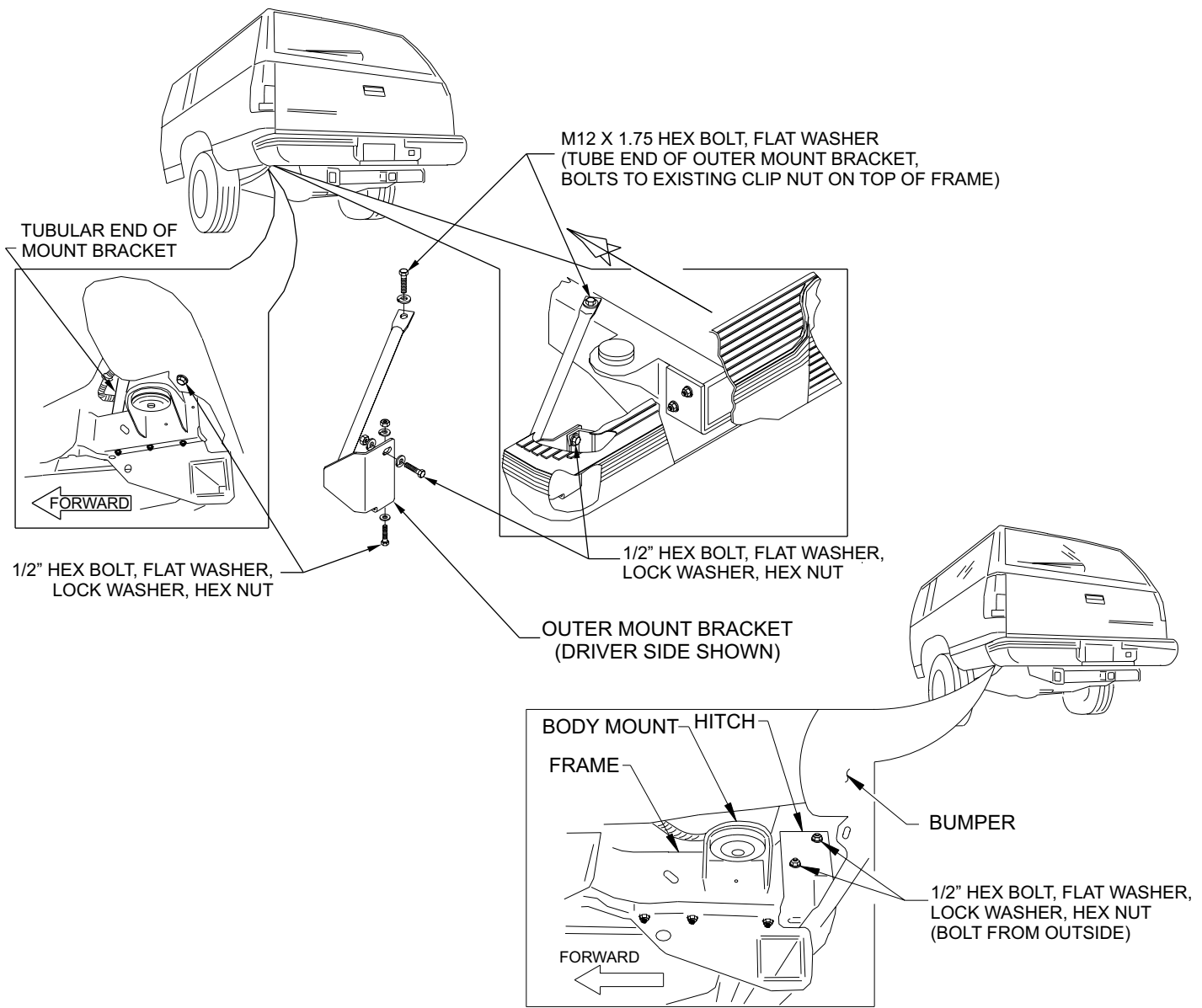


FIGURE 3

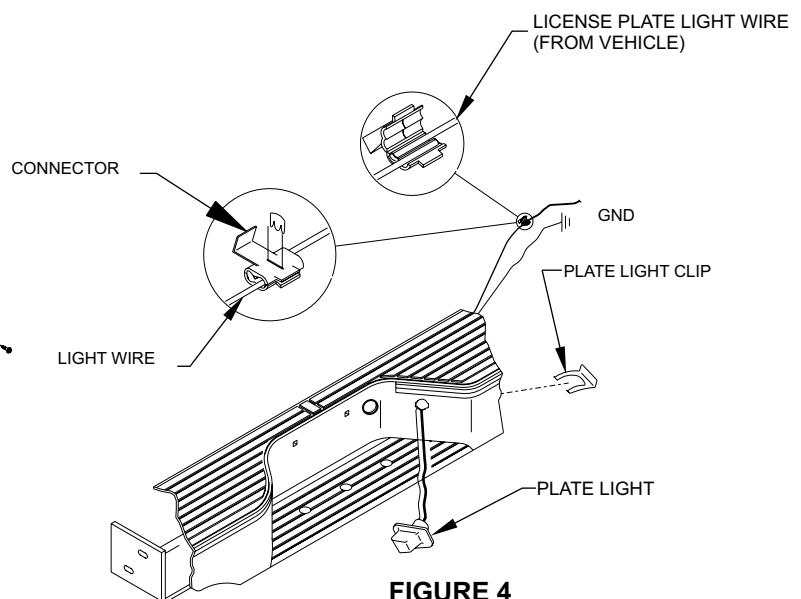


FIGURE 4