

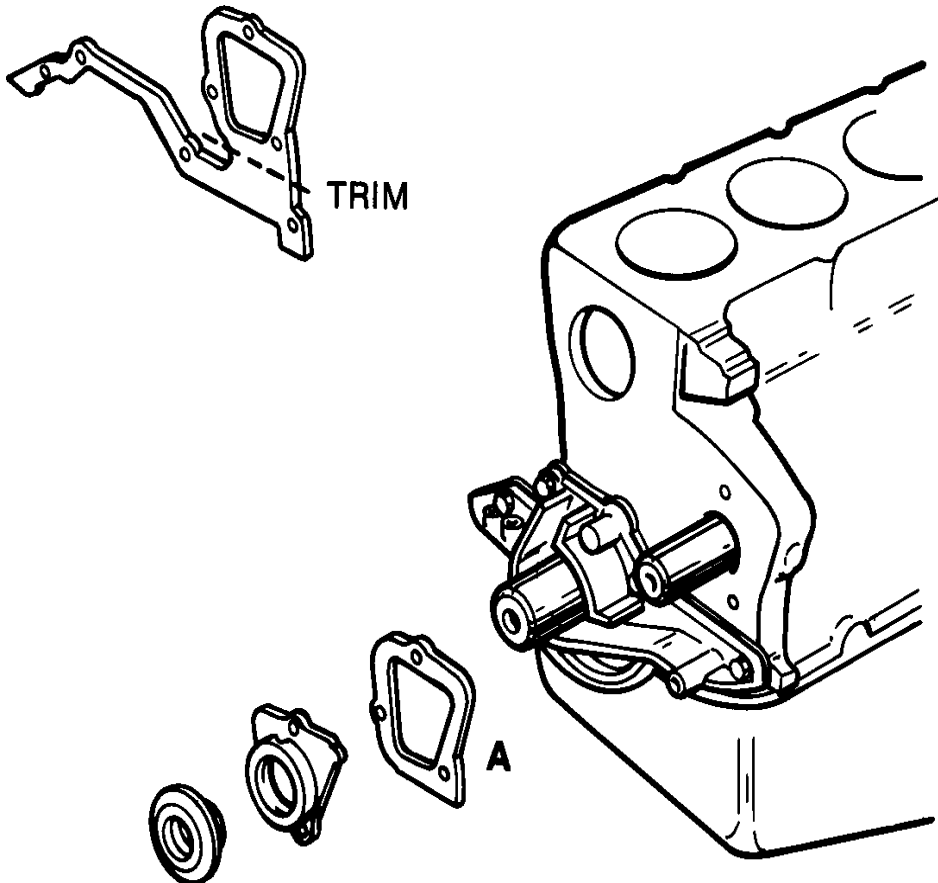
FEL-PRO INSTALLATION TIPS

A IMPORTANT PREPARATIONS FOR ROTATING SHAFT SEALS

Wipe a thin film of lubricant on sealing lip and on shaft before installation.

NEVER INSTALL ANY SEAL WITHOUT BREAK-IN LUBRICANT PROTECTION.

B SEAL HOLDER GASKET



Trim seal holder gasket to fit, if required, and cement in place on engine casting surface using adhesive. "A"