



4331 EUCALYPTUS AVE. CHINO, CA 91710  
909-597- 7800 Fax 909-597- 7185

*Installation Instructions*

**FTS92030**

**2005 - 2013 0''- 4'' Ford 4WD Super Duty Adjustable Track Bar**

*PARTS LIST-*

- 1 - FT30430BK Track Bar
- 1 - FT30414 Rod End
- 1 - FT30415 Adjuster Sleeve
- 1 - FT30429 Hardware Subassembly

FT30429 Hardware Subassembly

- 1 - Thread Lock
- 1 - FT30262-4 Sleeve
- 2 - FT30262-3 Bushing

**FTS92031**

**2005 - 2013 6''- 10'' Ford 4WD Super Duty Adjustable Track Bar**

*PARTS LIST-*

- 1 - FT30413BK Track Bar
- 1 - FT30414 Rod End
- 1 - FT30415 Adjuster Sleeve
- 1 - FT30429 Hardware Subassembly

FT30429 Hardware Subassembly

- 1 - Thread Lock
- 1 - FT30262-4 Sleeve
- 2 - FT30262-3 Bushing

## TOOLS-

Assorted Metric & SAE Sockets & Wrenches  
Torque Wrench, Jack, Jack Stands

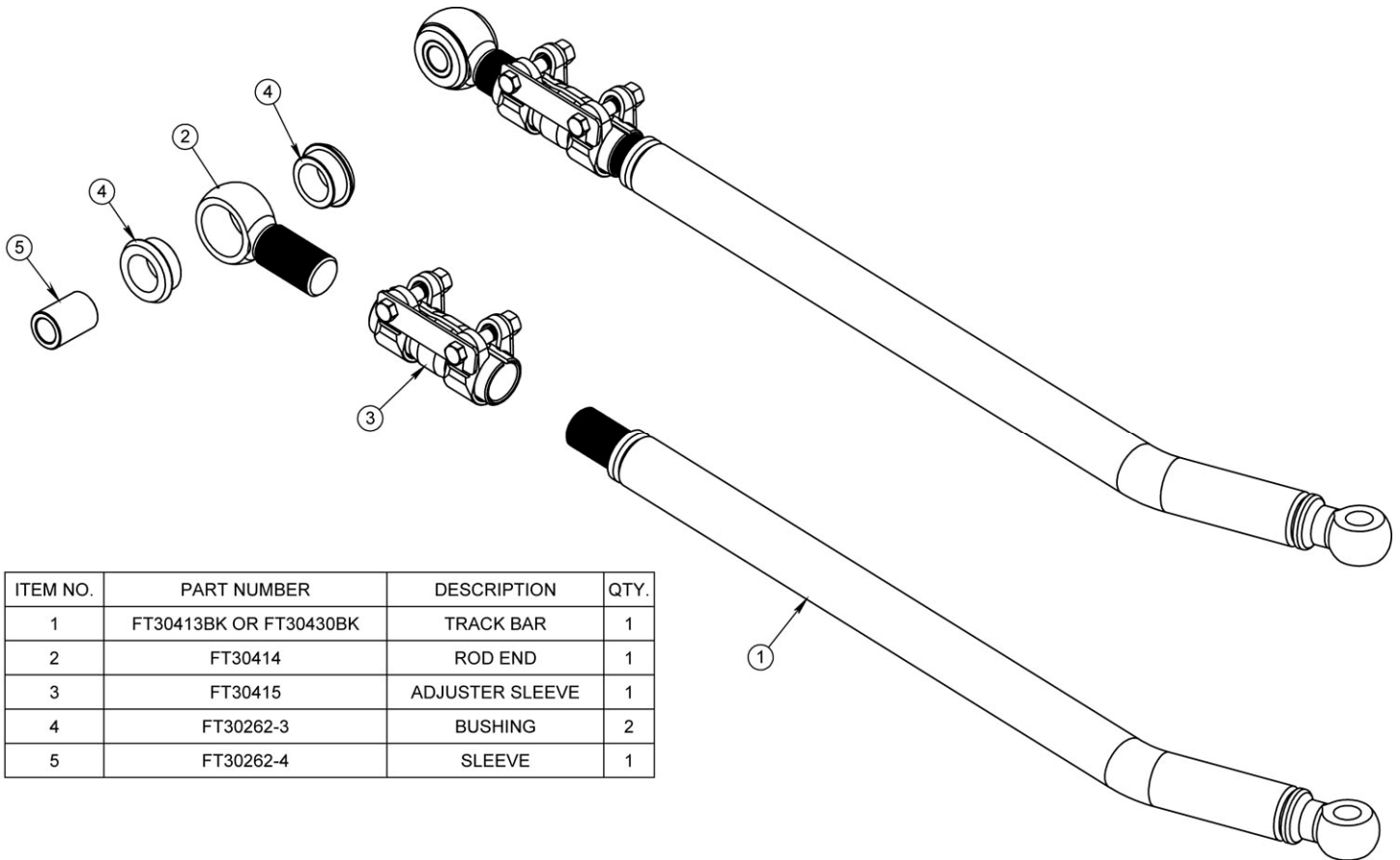
**READ ALL INSTRUCTIONS THOROUGHLY FROM START TO FINISH BEFORE BEGINNING INSTALLATION! IF THESE INSTRUCTIONS ARE NOT PROPERLY FOLLOWED, SEVERE FRAME DRIVELINE AND / OR SUSPENSION DAMAGE MAY RESULT.**

**CHECK FOR FRAME AND SUSPENSION DAMAGE PRIOR TO INSTALLTION. THIS KIT DOES NOT REQUIRE WELDING FOR INSTALLATION. DO NOT WELD ANY OF THESE COMPONENTS.**

**THE INSTALLTION OF THIS KIT SHOULD BE PERFORMED BY A PROFESSIONAL MECHANIC.**

## INSTALLATION-

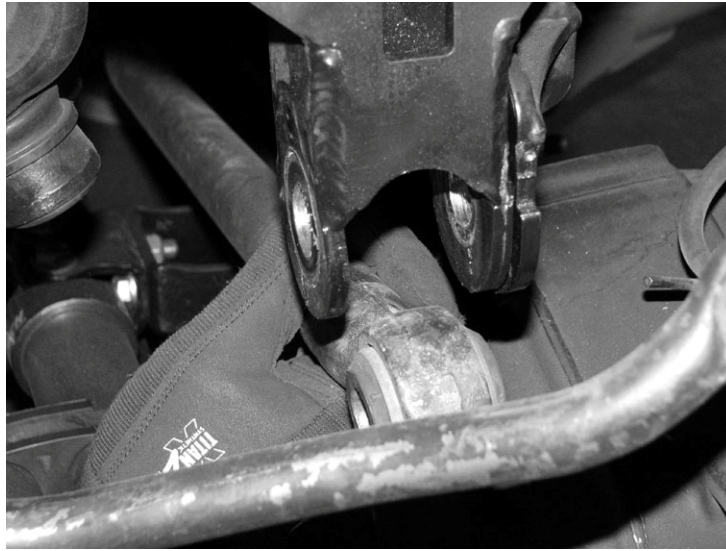
1. Locate the Fabtech Adjustable Track Bar and assemble the bar using the drawing below. Set the adjuster sleeve with 5/8" of thread showing on both sides of the adjuster sleeve.



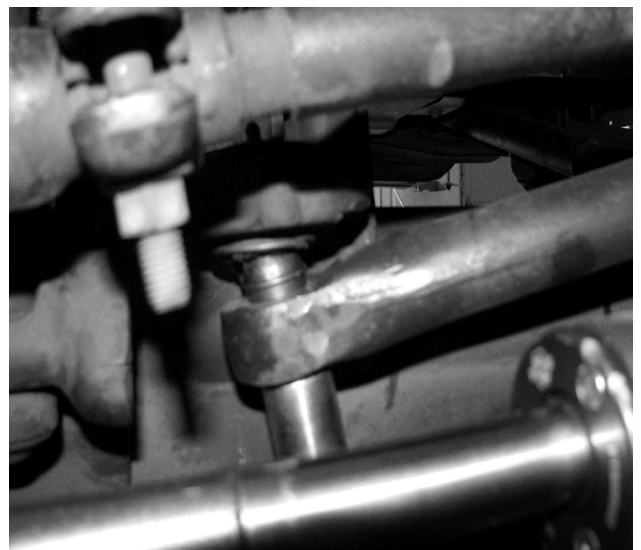
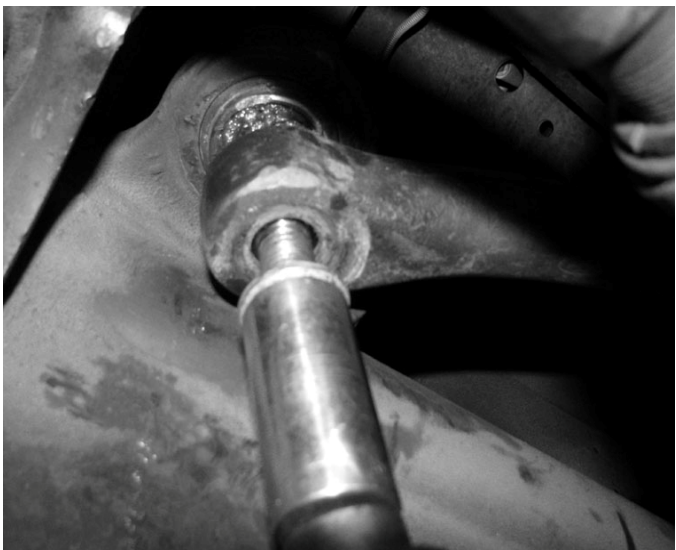
ITEM NO.	PART NUMBER	DESCRIPTION	QTY.
1	FT30413BK OR FT30430BK	TRACK BAR	1
2	FT30414	ROD END	1
3	FT30415	ADJUSTER SLEEVE	1
4	FT30262-3	BUSHING	2
5	FT30262-4	SLEEVE	1

2. With the vehicle on level ground set the emergency brake and block the rear tires. Jack up the front axle of the truck and support the frame rails with jack stands. **NEVER WORK UNDER AN UNSUPPORTED VEHICLE!**

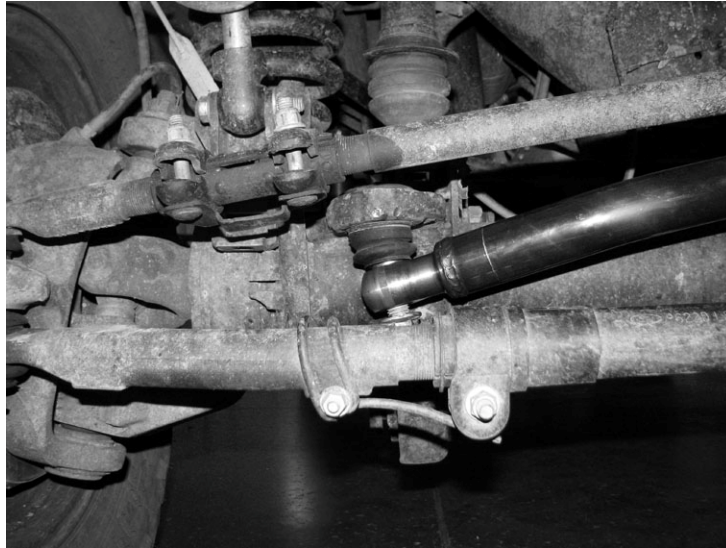
3. Locate and remove the upper bolt and nut from the stock Track Bar. To remove the Track Bar pivot bolt and nut, the front axle may have to be moved up or down to remove pressure from the Track Bar bushing. Retain the factory hardware. **SEE PHOTO BELOW.**



4. Locate the lower pivot ball joint assemble at the axle end of the track bar. Remove the nut attaching the bar to the ball joint in the axle. Retain the factory hardware and discard the factory Track Bar **SEE PHOTO BELOW.**



5. Install the New Fabtech adjustable Track Bar first at the lower pivot using thread lock and the factory nut. Tighten the nut to 183 ft-lbs. **SEE PHOTO BELOW**



6. Install the bushing end of the track bar into the drop bracket on the frame. Tighten to 406 ft-lbs. **SEE PHOTO BELOW**



7. Center the axle accordingly using the adjuster sleeve on the track bar. After all adjustments have been made lock down the adjuster sleeve with the cross bolts. It is important that the sleeve is locked down with cross bolts perpendicular to the diff cover. **SEE PHOTO BELOW**



8. After the track bar is installed it may be necessary to have vehicle Alignment performed

9. Trimming of the cross member may be necessary to avoid contact with the new track bar. **SEE PHOTO BELOW**

