



**2000 –2005 TOYOTA TUNDRA 2WD & 4WD
FTS2400K 0”- 2.5” COIL OVER SYSTEM**

PARTS LIST:

	FTS2400K	Tundra Coil Over Adj. Strut Kit
Qty	Part #	Description
2	FT2300-1	Adjuster Nut
2	FT2300-3	Adjuster Sleeve
2	FT2300S	Tacoma And Tundra Strut
2	FT2400	Tundra Tapered Lift Coil
1	FT70126	Hdwr Sub-Assembly Kit

	FT70126	Hdwr Sub-Assembly Kit
Qty	Part #	Description
6	25282502200	1/4"- 28 X 1/4" Set Screw
2	FT2300-2	Thrust Washer
2	FT2300-4	Coil Spring Isolator
1	FTS98005	Spanner Wrench
2	FT2400i	Instruction Sheet
1	FTAS12	Sticker
1	FTAS16	Warning sticker
1	FTREGCARD	Reg. Card
2	FTT34	External Snap Ring

TOOL LIST:

- ASSORTED METRIC & STANARD WRENCHES
- COIL SPRING COMPRESSOR
- FLOOR JACK & JACK STANDS
- STANARD ALLEN WRENCH SET

VEHICLES THAT WILL RECEIVE OVERSIZED TIRES SHOULD CHECK BALL JOINTS, TIE RODS ENDS AND IDLER ARM EVERY 2500-5000 MILES FOR WEAR AND REPLACE AS NEEDED.

READ ALL INSTRUCTIONS THOROUGHLY FROM START TO FINISH BEFORE BEGINNING INSTALLATION!

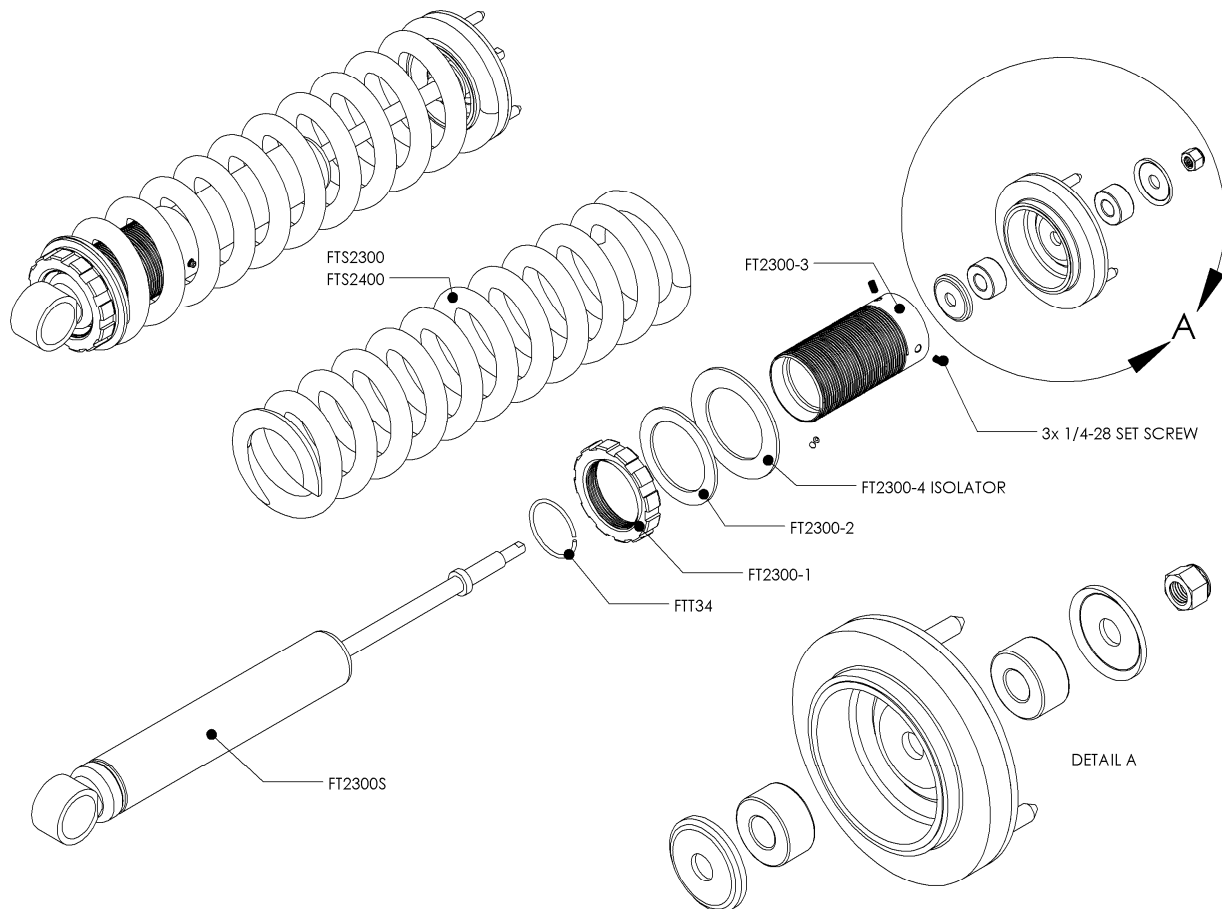
WARNING: FABTECH RECOMMENDS THAT YOU EXERCISE EXTREME CAUTION WHEN WORKING WITH COIL SPRINGS TO AVOID POSSIBILITY OF SERIOUS INJURY. VEHICLES THAT WILL RECEIVE OVERSIZED TIRES SHOULD CHECK BALL JOINTS, TIE RODS ENDS AND IDLER ARM EVERY 2500-5000 MILES FOR WEAR AND REPLACE AS NEEDED.

INSTRUCTIONS:

1. Disconnect the negative terminal on the battery. With the truck sitting on a flat and level surface, measure the distance from the center of the front spindle to the top of the fender opening. Write this measurement down, you will need to refer back to it later.
2. Jack up the front end of the truck and support the frame rails with jack stands. **NEVER WORK UNDER AN UNSUPPORTED VEHICLE!** Remove the front tires and remove the sway bar end links.
3. Remove the three nuts securing the upper spring seat to the frame mount. Remove the nut and bolt securing the bottom of the spring seat/strut assembly to the lower control arm and remove the assembly from the truck.



4. Take the stock strut assembly place into a vise, then use the external coil spring compressor to compress the spring enough to remove top nut. **WARNING: COIL SPRING IS UNDER EXTREME LOAD.** Remove the top nut and remove stock isolator mount, discard stock coil spring and shock.



5. Take the new shock and install snap ring, then slide the threaded sleeve over the shock until it seats over the snap ring. **(If needed, use a flat screw driver to help seat the snap ring in the groove on the shock, SEE PHOTO BELOW)** Install the three 1/4" x 28 set screws into the sleeve. **WARNING: DO NOT OVER TIGHTEN SET SCREWS, DAMAGE CAN OCCUR TO THE SHOCK. YOU WILL NEED TO APPLY SOME GREASE TO THE THREADS ON THE THREADED SLEEVE BEFORE ADJUSTING THE SPANNER NUT. WHEN INSTALLING THE ADJUSTER SLEEVE ONTO THE SHOCK TAKE CARE TO INSURE PROPER SEATING OF THE SNAP RING TO THE ADJUSTER SLEEVE.** See above illustration to complete assembly.



6. Take the newly assembled shock and position it on the truck. Torque the three top nuts on the upper spring seat to 28 ft/lbs. And torque the lower coil-over mount to 65 ft/lbs. Tighten the lower coil spring collar on the coil-over until you start to compress the coil spring. Make sure the top of the coil spring is seated in the stock isolator and the bottom of the coil spring is properly resting on the thrust washer. Continue to tighten the lower collar by hand until you can go no farther. Using the supplied spanner wrench, tighten the adjusting nut to adjust the suspension height
7. Repeat steps three through six on the opposite side of the truck.
8. Reinstall the front tires and torque the front lug nuts to factory specifications, factory torque specifications can be found in your owners' manual. Raise the front of the truck off of the jack stands and set it back onto the ground. Bounce up and down on the front end of the truck to settle the front coil springs.
9. Front ride height can be set from 0" to 2.5" over the original ride height. **DO NOT EXCEED 2.5" OVER ORIGINAL RIDE HEIGHT.** Measure the distance from the center of the front spindle to the top of the fender opening. Compare this with your original measurement and adjust the ride height as desired. To make adjustments to the ride height of your truck, jack up the front end of the truck and support the frame rails with jack stands. **NEVER WORK UNDER AN UNSUPPORTED VEHICLE!**
10. After you have set the proper ride height, reinstall the front sway bar links and check the toe in of the front tires. Adjust the toe in if necessary and test-drive the truck. Check the torque on all newly installed hardware and make any ride height adjustments if necessary. Measure the ride height after 50 miles, adjust if necessary and have the truck aligned to factory specifications. Re-adjust headlights