



Installation Instructions

Toyota Tundra Side Steps

Product Number: J1040

Application: 2007-2015 Toyota Tundra

Double Cab, 2 steps per side

Made in the U.S.A.!

SAFETY

Your safety and the safety of others is very important.

- In order to help you make informed decisions about safety, we have provided installation instructions and other information.
- These instructions alert you to potential hazards that could hurt you or others.
- Please do a job safety analysis (JSA) before each task to identify potential hazards for your situation and remove/protect against them.
- You must use your own good judgment, and take your time.

Read and understand all safety precautions and instructions before installing this product.

ALL LIABILITY FOR INSTALLATION AND USE OF THIS PRODUCT RESTS WITH THE OWNER.

CARELESS INSTALLATION AND OPERATION CAN RESULT IN SERIOUS INJURY OR EQUIPMENT DAMAGE.

Injury Hazard

Failure to observe these instructions could lead to severe injury or death.

- Always** remove jewelry and wear eye protection.
- Always** use extreme caution when jacking up a vehicle for work. Set emergency brake and use tire blocks. Locate and use the vehicle manufacturers designated lifting points. Use jack stands.
- Always** use appropriate and adequate care in lifting components into place.
- Always** insure components will remain secure during installation and operation.
- Always** wear safety glasses when installing this kit. A drilling operation will cause flying metal chips. Flying chips can cause serious eye injury.
- Always** use extreme caution when drilling on a vehicle. Thoroughly inspect the area to be drilled (on both sides of material) prior to drilling, and relocate any objects that may be damaged.
- Always** use extreme caution when cutting and trimming during fitting.
- Always** tighten all nuts and bolts securely per installation instructions.
- Always** route electrical cables carefully. Avoid moving parts, components that become hot and rough or sharp edges.
- Always** insulate and protect all exposed wiring and electrical terminals.
- Always** perform regular inspections and maintenance on mounts and related

Installation Instructions

Toyota Tundra Side Steps

Product Number: J1040

Application: 2007-2015 Toyota Tundra
Double Cab, 2 steps per side

hardware.

PATENT NOTE: There is one or more patent pending that covers this vehicle step assembly. Making or selling reproductions of the vehicle step assembly without prior written permission from Fab Fours Inc. is prohibited, except as allowed under the U.S. patent laws.

I. Overview

Congratulations on your new purchase of the industries' best and most stylish Side Step available for the Toyota Tundra! These Side Steps have been **engineered** for strength.

Your Side Steps are designed in 3-D from digitized data, CNC laser cut, fabricated, and powder coated... all in the U.S.A.

Enjoy the fit and finish of quality Toyota Tundra Side Steps from Fab Fours Inc.

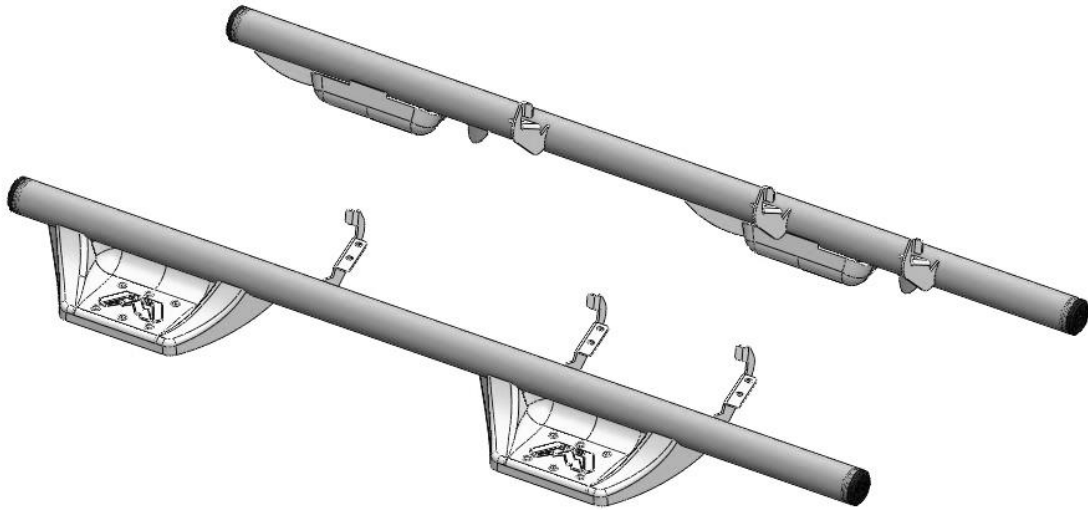
Installation Instructions

Toyota Tundra Side Steps

Product Number: J1040

Application: 2007-2015 Toyota Tundra

Double Cab, 2 steps per side



Installation Instructions

Toyota Tundra Side Steps

Product Number: J1040






Application: 2007-2015 Toyota Tundra

Double Cab, 2 steps per side

Tools Required

- Socket Wrench with 6" Extension
- 13mm socket
- Rubber mallet

II. Kit Contents

	QTY	DESCRIPTION	FAB FOURS PART NUMBER
	x 1	Driver-side Side Step	20717
	x 1	Passenger-side Side Step	20718
	x 4	End Cap	61367
	x 1	J1004 Hardware Kit	J1004-HW
	x 1	J1040 Instruction Manual	J1041-IM

Installation Instructions

Toyota Tundra Side Steps

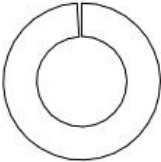
Product Number: J1040

Application: 2007-2015 Toyota Tundra
Double Cab, 2 steps per side

III. Included Hardware

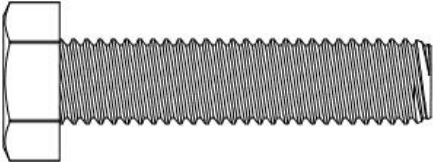
104741-HW

12x



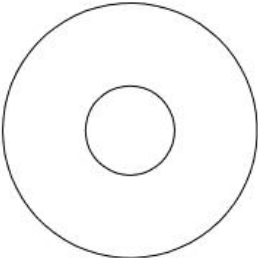
M8 split washer

12x



M8

12x



M8 flat washer

Installation Instructions

Toyota Tundra Side Steps

Product Number: J1040

Application: 2007-2015 Toyota Tundra
Double Cab, 2 steps per side

IV. Removal of OEM Side Steps (if applicable)

1. From underneath the driver side of the vehicle, remove the OEM side steps using a socket wrench with a 12mm socket. Use a 6" extension if required.
 - a) The OEM steps are mounted using three (3) brackets on each side step.
 - b) Two (2) M8 fasteners go through each bracket to secure the step to the vehicle, and will be removed with a 12mm socket.
 2. Support one end of the tube prior to removing all the fasteners on that end. Work your way down the step and remove the remaining fasteners
 3. With all of the OEM bolts removed, the OEM side step can be removed from the vehicle and set aside.
 4. Repeat steps 1) thru 4) above to remove the passenger side OEM side step.
- NOTE:** The Fab Fours Side Steps are shipped with a hardware kit that includes all required hardware to install your new FabFours Side Steps. OEM fasteners can be set aside for use if desired/required, but are not needed for regular installation of FabFours Side Steps.
5. After both OEM side steps are removed, the vehicle is ready to install your new FabFours Side Steps.

V. Installation of Fab Fours Side Steps

Installation Instructions

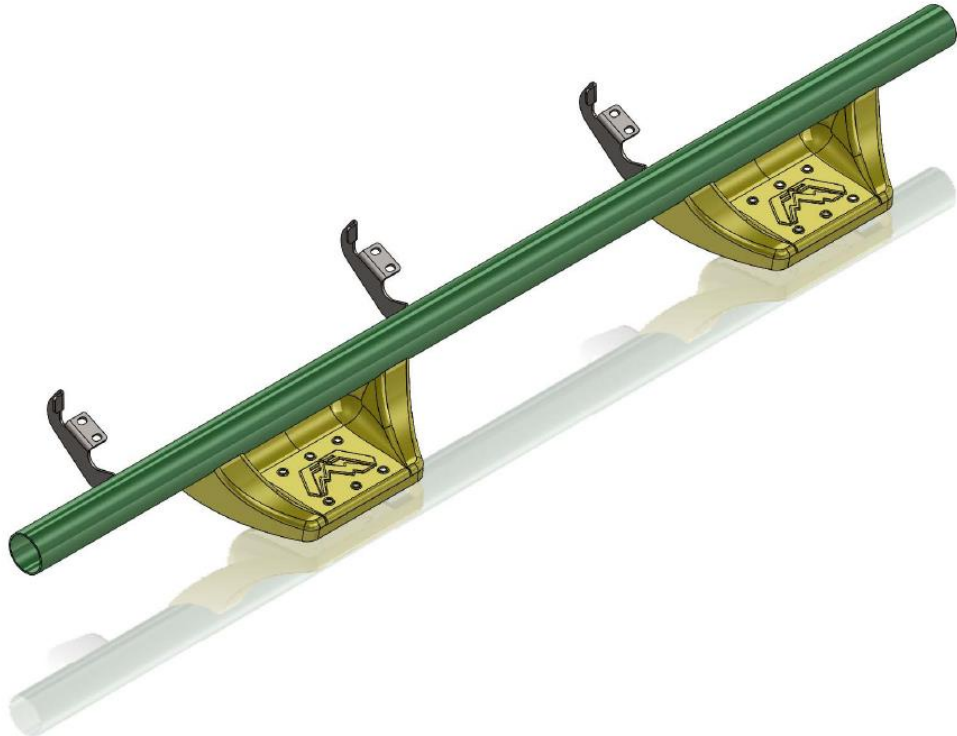
Toyota Tundra Side Steps

Product Number: J1040

Application: 2007-2015 Toyota Tundra

Double Cab, 2 steps per side

1. Identify the driver side Fab Fours Side Step. The driver side Fab Fours Side Step is shown below:



x

Figure 1 - DRIVER SIDE FABFOURS SIDE STEP

2. From underneath the driver side of the vehicle, lift the FabFours Side Step to a position where the M8 bolts and washers can be installed. **Do not tighten!** With the step in place make any adjustment front to rear, and then proceed to tighten the bolts.

3. IF NECESSARY, install End Caps (61367) on your Fab Fours Side Step with the logo level to the ground. If needed, a rubber mallet can be used to fully seat the end caps into the Fab Fours Side Step tube. See below:

Installation Instructions

Toyota Tundra Side Steps

Product Number: J1040

Application: 2007-2015 Toyota Tundra

Double Cab, 2 steps per side

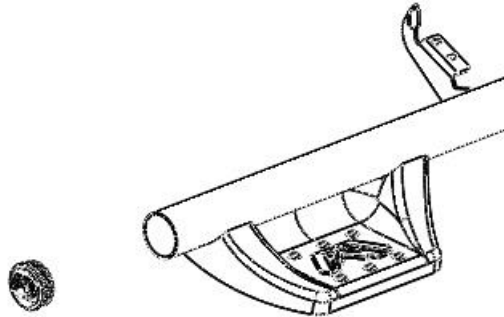
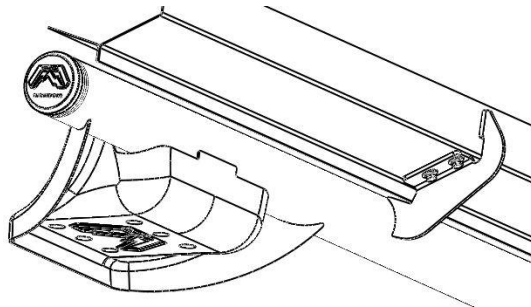


Figure 2 - INSTALLING THE FABFOURS SIDE STEP END CAPS



4. Congratulations, your new Fab Fours Side Steps has been installed successfully on the driver side of your vehicle!

Installation Instructions

Toyota Tundra Side Steps

Product Number: J1040

Application: 2007-2015 Toyota Tundra

Double Cab, 2 steps per side

5. Identify the passenger side Fab Fours Side Step. The passenger side Fab Fours Side Step is shown below:



Figure 3 - PASSENGER SIDE FABFOURS SIDE STEP

1. Repeat the above steps to install the passenger side Fab Fours Side Step.
2. Congratulations! Your new Fab Fours Side Steps have been installed successfully on the passenger side of your vehicle!

Installation Instructions

Toyota Tundra Side Steps

Product Number: J1040

Application: 2007-2015 Toyota Tundra
Double Cab, 2 steps per side

VI. Maintenance/Care

- Periodically check and tighten all fasteners.
- Stripped, fractured, or bent bolts or nuts need to be replaced.
- After washing of the vehicle make sure to fully dry all surfaces

