



# Installation Instructions

## Chevy/GMC 1500 Side Steps “Cab Length”

Product Number: J1006  
Application: 2011-2012 Chevy/GMC 1500 Crew Cab “Cab Length”

## SAFETY

### Your safety and the safety of others is very important.

- In order to help you make informed decisions about safety, we have provided installation instructions and other information.
- These instructions alert you to potential hazards that could hurt you or others.
- Please do a job safety analysis (JSA) before each task to identify potential hazards for your situation and remove/protect against them.
- You must use your own good judgment, and take your time.

**Read and understand all safety precautions and instructions before installing this product.**

THIS PRODUCT IS FOR OFFROAD USE ONLY. ALL LIABILITY FOR INSTALLATION AND USE RESTS WITH THE OWNER.

**CARELESS INSTALLATION AND OPERATION CAN RESULT IN SERIOUS INJURY OR EQUIPMENT DAMAGE.**

## Injury Hazard

### Failure to observe these instructions could lead to severe injury or death.

- Always** remove jewelry and wear eye protection.
- Always** use extreme caution when jacking up a vehicle for work. Set emergency brake and use tire blocks. Locate and use the vehicle manufacturers designated lifting points. Use jack stands.
- Always** use appropriate and adequate care in lifting components into place.
- Always** insure components will remain secure during installation and operation.
- Always** wear safety glasses when installing this kit. A drilling operation will cause flying metal chips. Flying chips can cause serious eye injury.
- Always** use extreme caution when drilling on a vehicle. Thoroughly inspect the area to be drilled (on both sides of material) prior to drilling, and relocate any objects that may be damaged.
- Always** use extreme caution when cutting and trimming during fitting.
- Always** tighten all nuts and bolts securely per installation instructions.
- Always** route electrical cables carefully. Avoid moving parts, components that become hot and rough or sharp edges.
- Always** insulate and protect all exposed wiring and electrical terminals.
- Always** perform regular inspections and maintenance on mounts and related hardware.



# Installation Instructions

## Chevy/GMC 1500 Side Steps "Cab Length"

Product Number: J1006  
Application: 2011-2012 Chevy/GMC 1500 Crew Cab "Cab Length"

**PATENT NOTE:** There is one or more patent pending that covers this vehicle step assembly. Making or selling reproductions of the vehicle step assembly without prior written permission from Fab Fours Inc. is prohibited, except as allowed under the U.S. patent laws.

### I. Overview

Congratulations on your new purchase of the industries' best and most stylish Side Step available for the Chevy/GMC 1500! These Side Steps have been **engineered** for strength.

Your Side Steps are designed in 3-D from digitized data, CNC laser cut, fabricated, and powder coated... all in the U.S.A.

Enjoy the fit and finish of quality Chevy/GMC 1500 Side Steps from FabFours Inc.





**Installation Instructions**  
**Chevy/GMC 1500 Side Steps "Cab Length"**  
**Product Number: J1006**  
**Application: 2011-2012 Chevy/GMC 1500 Crew Cab "Cab Length"**



# Installation Instructions

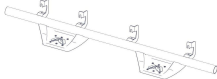
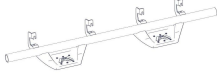



## Chevy/GMC 1500 Side Steps “Cab Length”

Product Number: J1006  
Application: 2011-2012 Chevy/GMC 1500 Crew Cab “Cab Length”

### II. Tools Required

- Socket Wrench with 6” Extension
- 13mm socket
- Rubber mallet

### III. Kit Contents

	QTY	DESCRIPTION	FAB FOURS PART NUMBER
	x 1	Passenger-side Side Step	20405
	x 1	Driver-side Side Step	20404
	x 4	End Cap	61367
	x 1	J1006 Hardware Kit	104701-HW
	x 1	J1006 Instruction Manual	J1006-IM



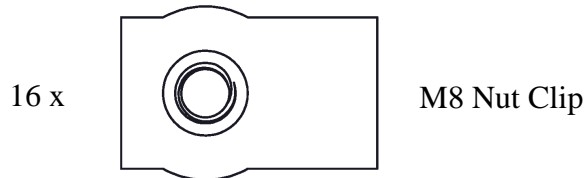
# Installation Instructions

## Chevy/GMC 1500 Side Steps "Cab Length"

Product Number: J1006  
Application: 2011-2012 Chevy/GMC 1500 Crew Cab "Cab Length"

### IV. Included Hardware

#### 104701-HW





# Installation Instructions

## Chevy/GMC 1500 Side Steps “Cab Length”

Product Number: J1006  
Application: 2011-2012 Chevy/GMC 1500 Crew Cab “Cab Length”

### V. Removal of OEM Side Steps (if applicable)

1. From underneath the driver side of the vehicle, remove the OEM side steps using a socket wrench with a 13mm socket. Use a 6” extension if required.
  - a) The OEM steps are mounted using four (4) brackets on each side step.
  - b) Each OEM bracket uses two (2) M8 fasteners that are removed with a 13mm socket.
  - c) The front and rear bracket upper bolts can be used to hold the OEM side step in place as the other fasteners are removed. See below to identify the ‘upper’ fastener:

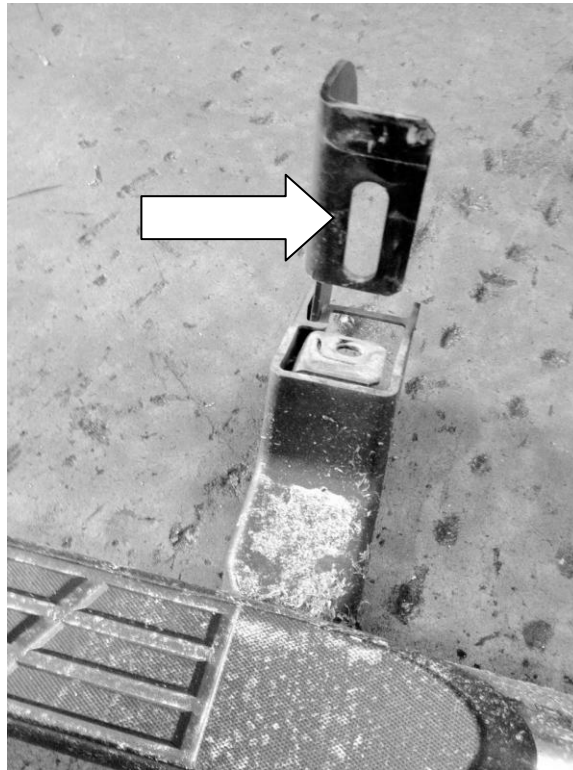


Figure 1 – OEM CHEVY/GMC SIDE STEP MOUNTING BRACKET

2. With the OEM fasteners removed, prepare your work area to remove the OEM side step.
3. If the front and rear bracket upper bolts are still in place, remove them now to lower the OEM side step from the vehicle.
4. With all of the OEM bolts removed, the OEM side step can be removed from the vehicle and set aside.



# Installation Instructions

## Chevy/GMC 1500 Side Steps "Cab Length"

Product Number: J1006  
Application: 2011-2012 Chevy/GMC 1500 Crew Cab "Cab Length"

5. Repeat steps 1) thru 4) above to remove the passenger side OEM side step.

**NOTE:** The FabFours Side Steps are shipped with a hardware kit that includes all required hardware to install your new FabFours Side Steps. OEM fasteners can be set aside for use if desired/required, but are not needed for regular installation of FabFours Side Steps.

6. After both OEM side steps are removed, the vehicle is ready to install your new FabFours Side Steps.

## VI. Installation of FabFours Side Steps

1. Install End Caps (61367) on your driver and passenger side FabFours Side Steps prior to installing steps on your vehicle. If needed, a rubber mallet can be used to fully seat the end caps into the FabFours Side Step tube. See below:

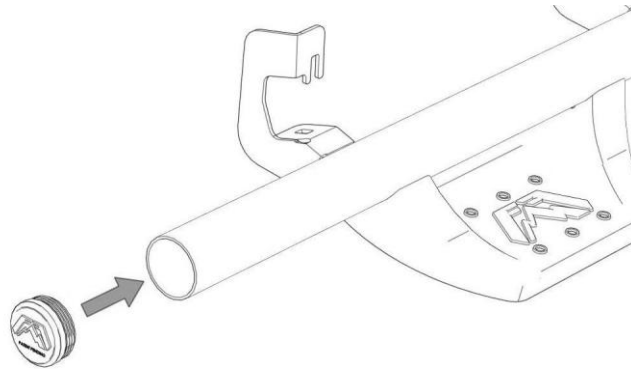


Figure 2 - INSTALLING THE FABFOURS SIDE STEP END CAPS

2. From underneath the vehicle, verify that the rear two upper factory body panel locations have either 1) an OEM M8 nut clip in place, or 2) a FabFours provided M8 nut clip has been added. See below:

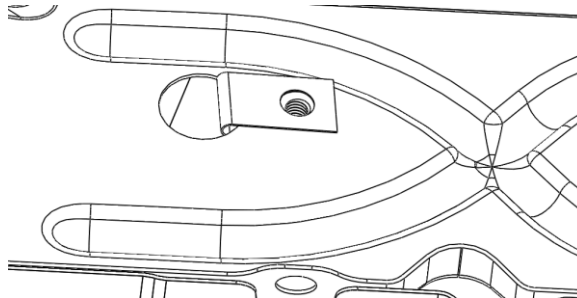


Figure 3 - ADDING M8 NUT CLIPS FOR REAR SIDE STEP BRACKETS

**NOTE:** Some installations may not require the use of all hardware provided by FabFours. Hardware remaining after installation is not an indication of faulty installation.

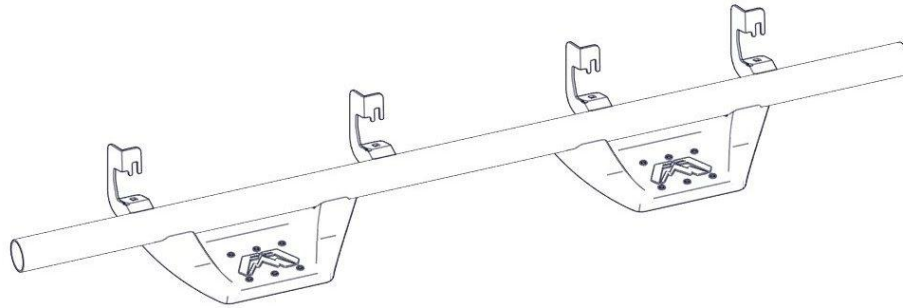


# Installation Instructions

## Chevy/GMC 1500 Side Steps "Cab Length"

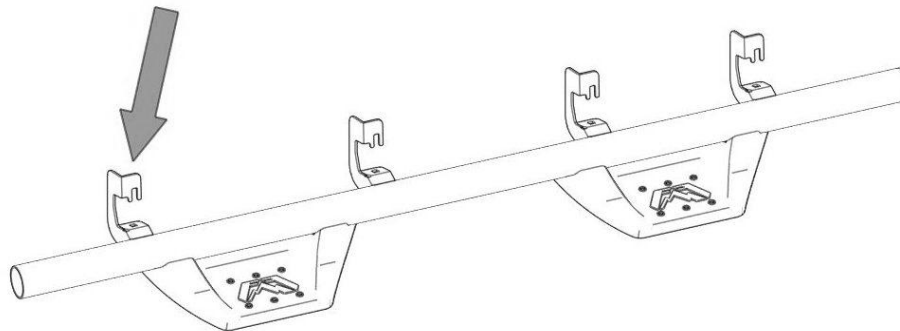
Product Number: J1006  
Application: 2011-2012 Chevy/GMC 1500 Crew Cab "Cab Length"

3. Identify the drive side FabFours Side Step. The drive side FabFours Side Step is shown below:



**Figure 4 - DRIVER SIDE FABFOURS SIDE STEP**

4. From underneath the driver side of the vehicle, lift the FabFours Side Step to a position where the front vertical M8 bolt can be installed. **Do not tighten!** This bolt can be used to hold the FabFours Side Step in position as the other hardware is added. See below:



**Figure 5 - ADD FRONT M8 BOLT TO HOLD STEP FIRST**

5. Move to the rear mounting bracket, lift the FabFours Side Step into position and install the vertical M8 bolt into the nut clip. **Do not tighten!** At this time, the step is supported by the vehicle and ready for the remaining hardware to be added.





# Installation Instructions

## Chevy/GMC 1500 Side Steps "Cab Length"

Product Number: J1006  
Application: 2011-2012 Chevy/GMC 1500 Crew Cab "Cab Length"

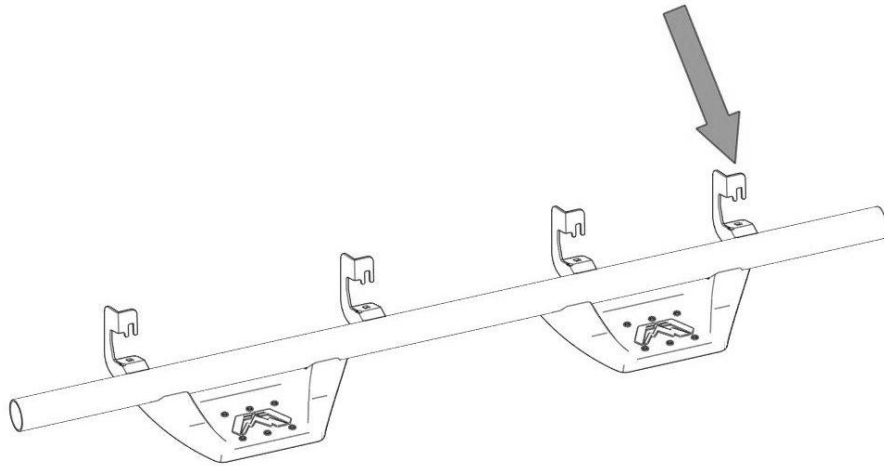


Figure 6 – ADD REAR M8 BOLT TO HOLD STEP SECOND

6. Add the center two (2) vertical M8 bolts. **Do not tighten!**
7. Once all four (4) vertical M8 bolts have been loosely threaded into position, the horizontal M8 bolts can be added. Start at the front bracket and work back to the rear bracket. **Do not tighten!**

**NOTE:** Some installations may require the use of M8 nut clips on the horizontal pinch seam. These can be added with the FabFours Side Step loosely held in place by the vertical bolts.

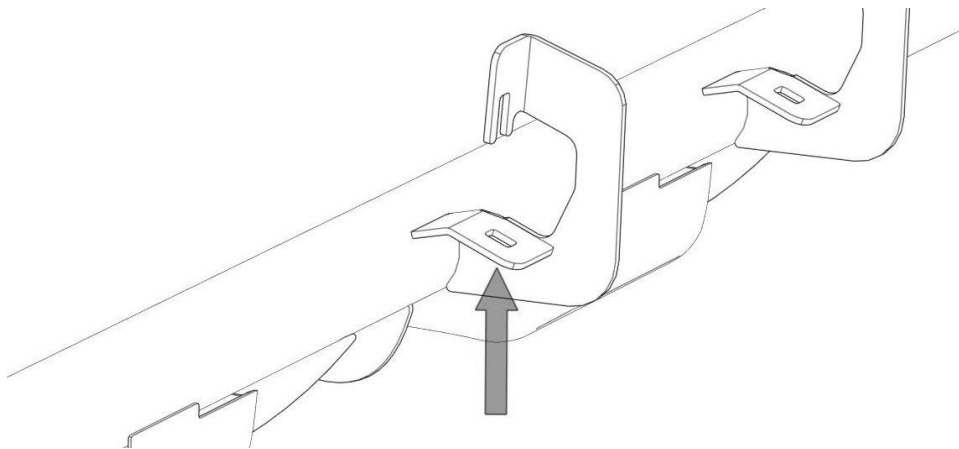


Figure 7 - HORIZONTAL BOLTS INSTALLED THROUGH THESE BRACKET HOLES

8. With all hardware in place, the M8 bolts can be tightened with a 13mm socket. Verify that each FabFours Side Step mounting bracket is tight against the body at both the horizontal and vertical mounting surfaces before final tightening. Tighten in the following sequence:

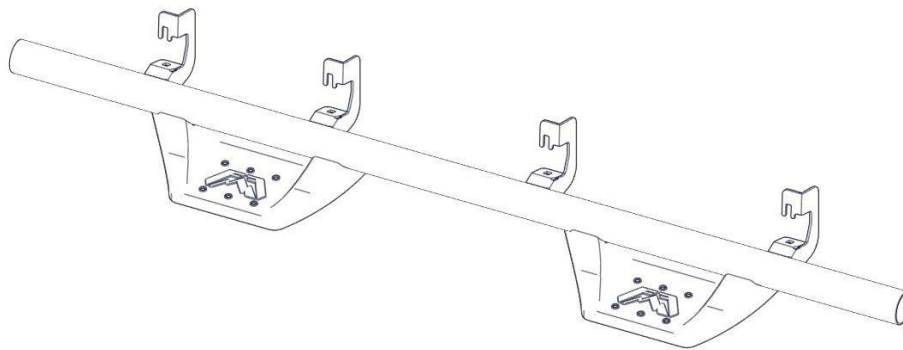


# Installation Instructions

## Chevy/GMC 1500 Side Steps "Cab Length"

Product Number: J1006  
Application: 2011-2012 Chevy/GMC 1500 Crew Cab "Cab Length"

1. Front bracket M8 hardware.
  2. Rear bracket M8 hardware.
  3. Middle-front bracket M8 hardware.
  4. Middle-rear bracket M8 hardware.
9. Congratulations, your new FabFours Side Step has been installed successfully on the driver side of your vehicle!
10. Identify the passenger side FabFours Side Step. The passenger side FabFours Side Step is shown below:



**Figure 8 - PASSENGER SIDE FABFOURS SIDE STEP**

11. Repeat steps 3) thru 8) above to install the passenger side FabFours Side Step.
12. Congratulations, your new FabFours Side Step has been installed successfully on the passenger side of your vehicle!



# Installation Instructions

## Chevy/GMC 1500 Side Steps "Cab Length"

Product Number: J1006  
Application: 2011-2012 Chevy/GMC 1500 Crew Cab "Cab Length"

### VII. Maintenance/Care

- Periodically check and tighten all fasteners.
- Stripped, fractured, or bent bolts or nuts need to be replaced.
- After washing of the vehicle make sure to fully dry all surfaces



More than expected... Better than expected