



Installation Instructions

1999-2015 Ford Super Duty Headache Rack

Product Number: HR2005-1
Application: 1999-2015
Ford Super Duty Headache Rack

SAFETY

Your safety and the safety of others is very important.

- In order to help you make informed decisions about safety, we have provided installation instructions and other information.
- These instructions alert you to potential hazards that could hurt you or others.
- Please do a job safety analysis (JSA) before each task to identify potential hazards for your situation and remove/protect against them.
- You must use your own good judgment, and take your time.

Read and understand all safety precautions and instructions before installing this product.

THIS PRODUCT IS FOR OFFROAD USE ONLY. ALL LIABILITY FOR INSTALLATION AND USE RESTS WITH THE OWNER.

CARELESS INSTALLATION AND OPERATION CAN RESULT IN SERIOUS INJURY OR EQUIPMENT DAMAGE.

Injury hazard

Failure to observe these instructions could lead to severe injury or death.

- ❑ **Always** remove jewelry and wear eye protection.
- ❑ **Always** use extreme caution when jacking up a vehicle for work. Set emergency brake and use tire blocks. Locate and use the vehicle manufacturers designated lifting points. Use jack stands.
- ❑ **Always** use appropriate and adequate care in lifting components into place.
- ❑ **Always** insure components will remain secure during installation and operation.
- ❑ **Always** wear safety glasses when installing this kit. A drilling operation will cause flying metal chips. Flying chips can cause serious eye injury.
- ❑ **Always** use extreme caution when drilling on a vehicle. Thoroughly inspect the area to be drilled (on both sides of material) prior to drilling, and relocate any objects that may be damaged.
- ❑ **Always** use extreme caution when cutting and trimming during fitting.
- ❑ **Always** tighten all nuts and bolts securely per installation instructions.
- ❑ **Always** route electrical cables carefully. Avoid moving parts, components that become hot and rough or sharp edges.
- ❑ **Always** insulate and protect all exposed wiring and electrical terminals.
- ❑ **Always** perform regular inspections and maintenance on mounts and



Installation Instructions

1999-2015 Ford Super Duty Headache Rack

Product Number: HR2005-1
Application: 1999-2015
Ford Super Duty Headache Rack

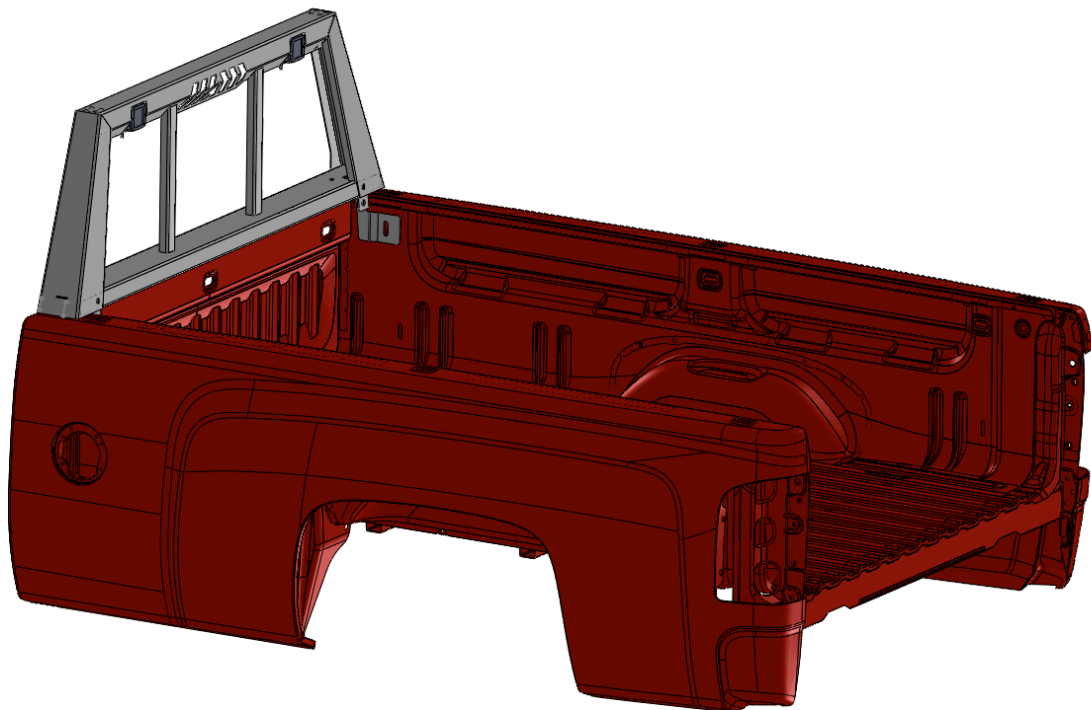
related hardware.

I. Overview

Congratulations on your new purchase of the industries' best and most stylish Headache Rack available for the 1999-2015 Ford Super Duty truck! This Rack has been **engineered** for strength.

Your bumper was designed in 3-D from digitized data, CNC laser cut, fabricated, and powder coated... all in the U.S.A.

Enjoy the fit and finish of a quality Headache Rack from Fab Fours Inc.





Installation Instructions

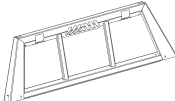


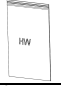

1999-2015 Ford Super Duty Headache Rack

Product Number: HR2005-1
Application: 1999-2015
Ford Super Duty Headache Rack

II. Tools Required

- 11/16", 5/8" Wrenches
- 11/16", 5/8" Sockets and Drivers
- 1/2" Drill Bit

III. Kit Contents

	QTY	DESCRIPTION	FAB FOURS PART NUMBER
	x 1	1999-2015 Ford SD Headache Rack	HR2005
	x 1	HR2005 Driver Side Bracket	20341-00
	x 1	HR2005 Passenger Side Bracket	20342-00
	x 1	HR2100 Hardware Kit	HR2100-HW
	x 1	HR2005 Instruction Manual	HR20051-Rev.B



Installation Instructions
1999-2015 Ford Super Duty Headache Rack
Product Number: HR2005-1
Application: 1999-2015
Ford Super Duty Headache Rack

IV. Installation

A. Install the brackets to the bed as shown below. Place one spacer inside hole in the top of the bed rail and one between the bracket and the bedside. Insert supplied 1/2" Hardware.

B. With Bracket installed to the bedsides drill the holes into the top of the bulkhead with a 1/2" Drill Bit. Install supplied 3/8" Hardware.

Complete Steps A. and B. for Both Sides.

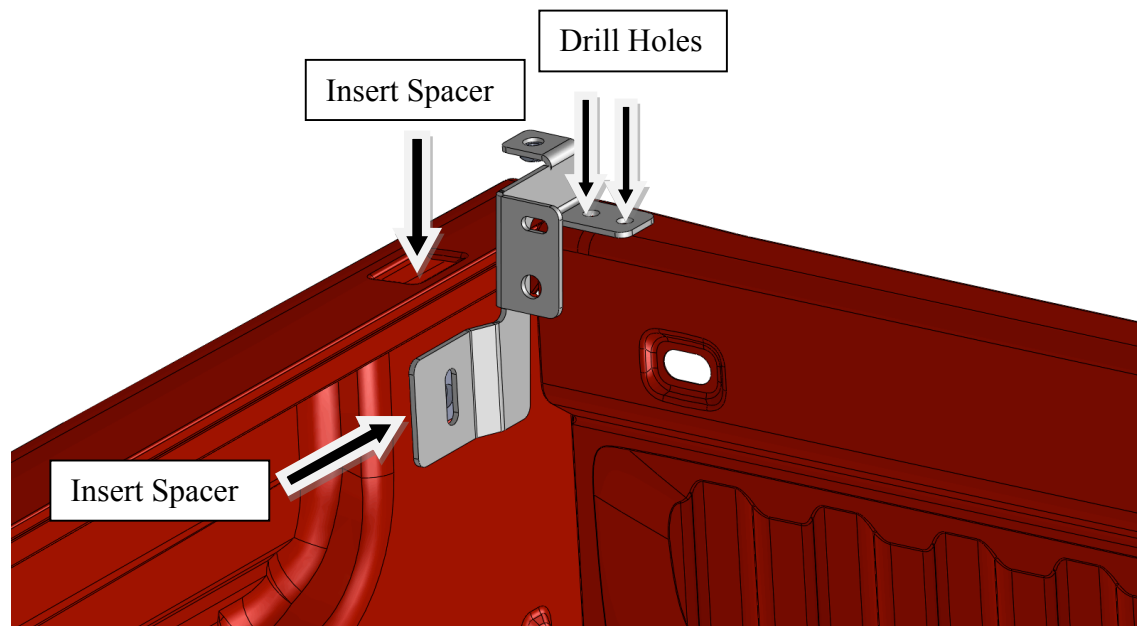
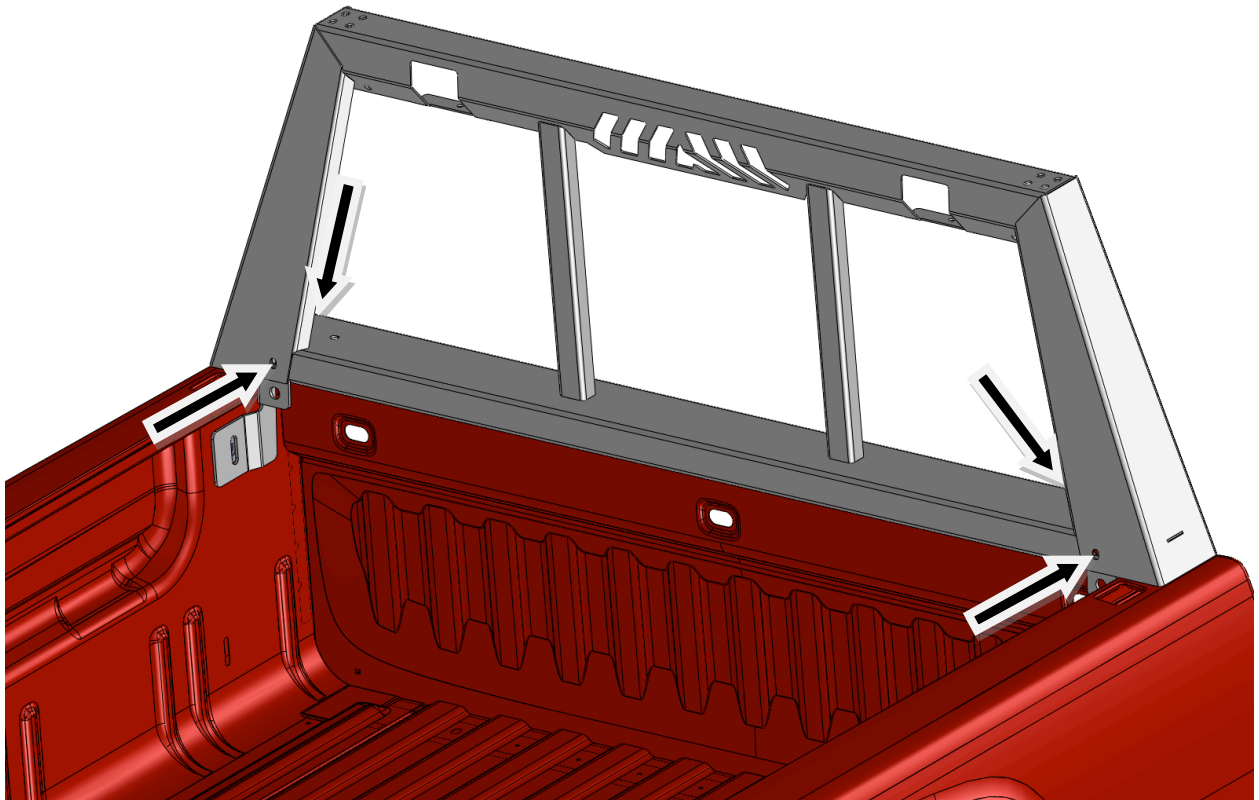


Image may not be reflective of the brackets received in your kit.



Installation Instructions
1999-2015 Ford Super Duty Headache Rack
Product Number: HR2005-1
Application: 1999-2015
Ford Super Duty Headache Rack

C. Install the Rack over the top off the Mounts. Attach with 7/16" Hardware.





Installation Instructions
1999-2015 Ford Super Duty Headache Rack
Product Number: HR2005-1
Application: 1999-2015
Ford Super Duty Headache Rack

V. Maintenance/Care

- Periodically check and tighten all nuts.
- Stripped, fractured, or bent bolts or nuts need to be replaced.
- Periodically grease the tire carrier pivot, if installed.
- Periodically check the tension of the latch hook, if Tire Carrier is installed.



More than expected... Better than expected