



# Installation Instructions

## Toyota Tundra Front Black Steel Bumper

Product Number: K2860, K2861, K2862  
Application: '14-Current Toyota Tundra

## SAFETY

### Your safety and the safety of others is very important.

- In order to help you make informed decisions about safety, we have provided installation instructions and other information.
- These instructions alert you to potential hazards that could hurt you or others.
- Please do a job safety analysis (JSA) before each task to identify potential hazards for your situation and remove/protect against them.
- You must use your own good judgment, and take your time.

**Read and understand all safety precautions and instructions before installing this product.**

THIS PRODUCT IS FOR OFFROAD USE ONLY. ALL LIABILITY FOR INSTALLATION AND USE RESTS WITH THE OWNER.

**CARELESS INSTALLATION AND OPERATION CAN RESULT IN SERIOUS INJURY OR EQUIPMENT DAMAGE.**

## Injury hazard

### Failure to observe these instructions could lead to severe injury or death.

- Always** remove jewelry and wear eye protection.
- Always** use extreme caution when jacking up a vehicle for work. Set emergency brake and use tire blocks. Locate and use the vehicle manufacturers designated lifting points. Use jack stands.
- Always** use appropriate and adequate care in lifting components into place.
- Always** insure components will remain secure during installation and operation.
- Always** wear safety glasses when installing this kit. A drilling operation will cause flying metal chips. Flying chips can cause serious eye injury.
- Always** use extreme caution when drilling on a vehicle. Thoroughly inspect the area to be drilled (on both sides of material) prior to drilling, and relocate any objects that may be damaged.
- Always** use extreme caution when cutting and trimming during fitting.
- Always** tighten all nuts and bolts securely per installation instructions.
- Always** route electrical cables carefully. Avoid moving parts, components that become hot and rough or sharp edges.
- Always** insulate and protect all exposed wiring and electrical terminals.
- Always** perform regular inspections and maintenance on mounts and related hardware.



# **Installation Instructions**

## **Toyota Tundra Front Black Steel Bumper**

**Product Number: K2860, K2861, K2862**  
**Application: '14-Current Toyota Tundra**

### **I. Overview**

**Congratulations on your new purchase of the industries' best and most stylish Bumper available for the 2014+ Toyota Tundra! This Bumper has been engineered for strength while keeping the weight down.**

**Your Front Bumper designed in 3-D from digitized data, CNC laser cut, fabricated, and powder coated... all in the U.S.A.**

**Enjoy the fit and finish of a quality Toyota Tundra Front Winch Bumper from Fab Fours Inc.**



# Installation Instructions

## Toyota Tundra Front Black Steel Bumper

Product Number: K2860, K2861, K2862  
Application: '14-Current Toyota Tundra

### II. Tools Required

- Socket Wrench with Extension
- Breaker Bar
- 3/4", 10mm, 14mm, 17mm, & 18mm Sockets
- Flat and Phillips Head Screw Drivers
- Floor Jack and wood block.

### III. Removal of Stock Bumper

1. Remove Dart Clip from front inner fender lining from frame. Complete Both Sides. See Figure 1.

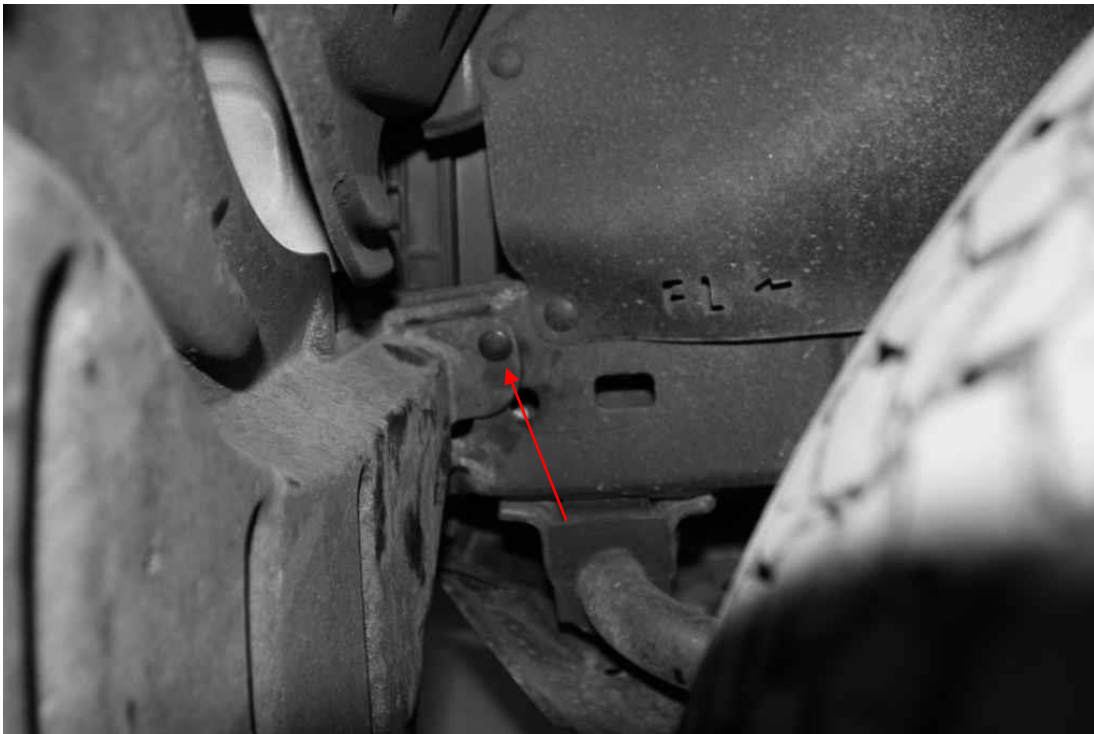


Figure 1 – Dart Clip Locations



# Installation Instructions

## Toyota Tundra Front Black Steel Bumper

Product Number: K2860, K2861, K2862  
Application: '14-Current Toyota Tundra

2. Remove the three screws from the Bottom plastic on the bumper. See Figure 2.



Figure 2 - Screw Locations

3. Remove the 2 Phillips head screws located in the inner fender well lining, per side.
4. Disconnect the factory fog light harness from the fog lights and secure harness out of harms way and to the frame.
5. Remove the factory tow hooks (2 bolts per tow hook) using a 17mm socket and wrench.



## Installation Instructions Toyota Tundra Front Black Steel Bumper

Product Number: K2860, K2861, K2862  
Application: '14-Current Toyota Tundra

6. Using a deep 14mm socket and breaker bar, loosen the 4 14mm nuts (each side) located at the connection between the factory frame end and the bumper. See Figure 3.



Figure 3 - Factory Bumper Connection

7. Remove the bumper by pulling forward away from the vehicle and rolling forward.
8. Your Truck is now ready for the installation of your new Fab Fours Front Winch Bumper!



# Installation Instructions

## Toyota Tundra Front Black Steel Bumper

Product Number: K2860, K2861, K2862  
Application: '14-Current Toyota Tundra

### IV. Pre-Installation Assembly

1. Remove the Bumper from the shipping carton. Lay all items out on a blanket to prevent damage to the powder coating.
2. Remove electrical harness from OEM Bumper.
3. **OPTIONAL:** If installing winch and roller fairlead into bumper, do it at this time. Follow the winch manufacturer's instructions for installation. If you are installing a winch with a pulling capacity of 12,000 lbs., the front face mounting holes must be used. Install with the provided 7/16" socket head cap screws in the front upper holes. Winch manufacturer supplied hardware should be used in all other fastening locations.
4. Remove OEM fog light from the bumper, slide into place behind grating on Fab Fours bumpers and screw in place (Ref. Figure 11).

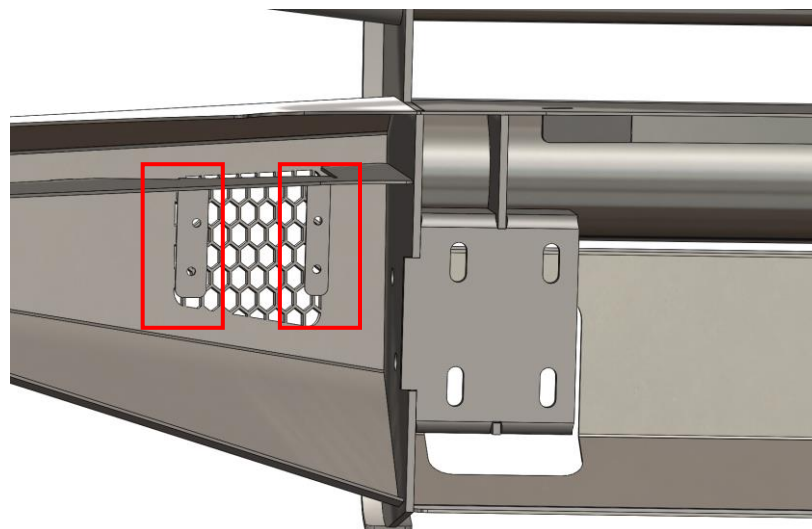


Figure 11

5. With the supplied wire taps, tap into Factory Harness on each side of the truck to supply the Fog Lights. Cut the



# Installation Instructions

## Toyota Tundra Front Black Steel Bumper

Product Number: K2860, K2861, K2862  
Application: '14-Current Toyota Tundra

supplied wiring short if possible before adding the connectors.

### V. Front Black Steel Bumper Installation

**NOTE: The Following Installation steps apply to the installation of the Front Winch Bumper. PLEASE READ THE ENTIRE MANUAL BEFORE ATTEMPTING INSTALLATION! Ignoring these steps will increase your probability of scratching the vehicle during product installation!**

1. Insert the provided bolts from the front of the mount tower through the mount face. Install the supplied 1/2" nuts and washers but do not tighten fully (Ref. Figure 13).

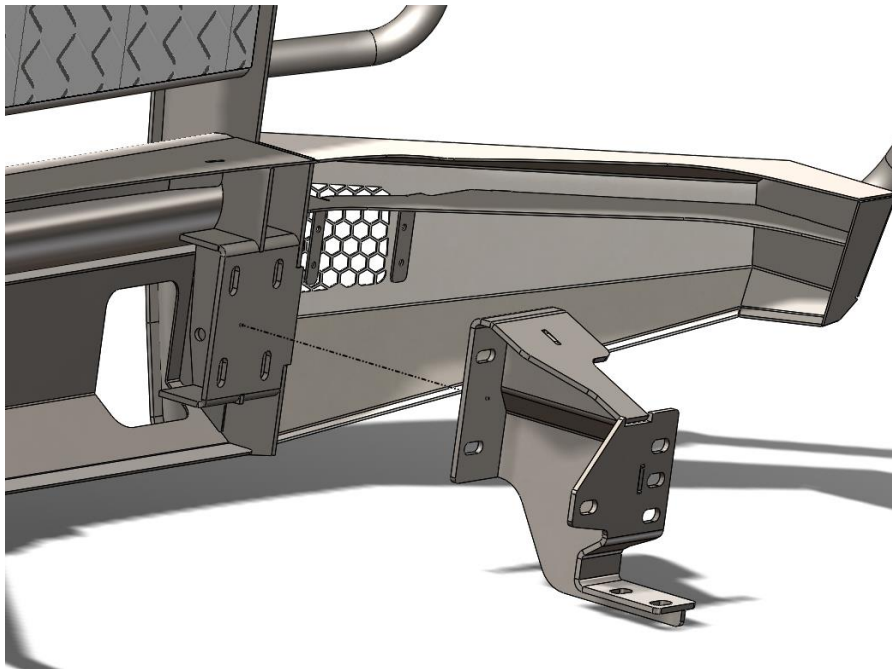


Figure 13

2. Using the OEM hardware install the intermediate brackets to the frame. When mounting the bracket four studs will pass through the face and two bolts through the bottom. Arrows will indicate mounting direction; yellow arrows are for nuts and red arrows are for bolts (Ref. Figure 12). Do Not Tighten Fully, Only Finger Tighten to allow for adjustment.



# Installation Instructions

## Toyota Tundra Front Black Steel Bumper

Product Number: K2860, K2861, K2862  
Application: '14-Current Toyota Tundra

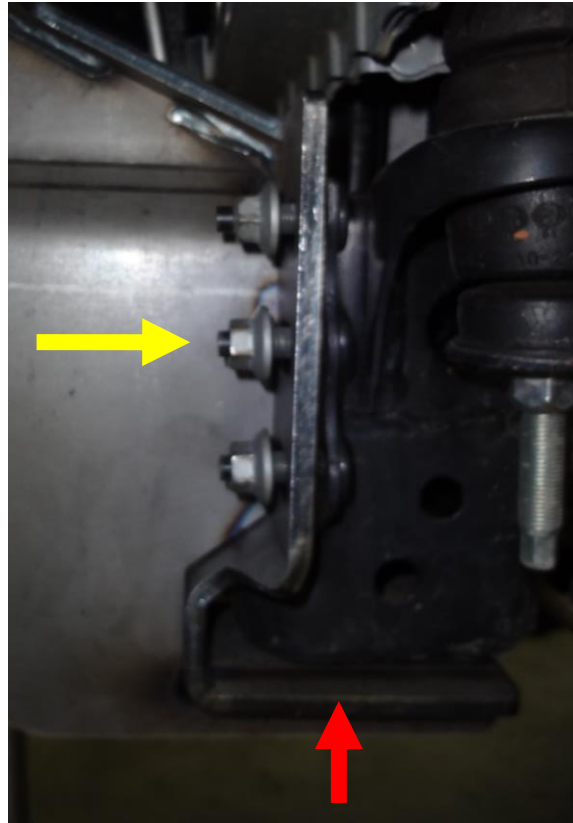


Figure 12

3. Insert the provided bolts from the front of the mount tower through the mount face. Install the supplied 1/2" nuts and washers but do not tighten fully (Ref. Figure 13).
4. Carefully align bumper with intermediate mounts to the frame and slide bumper into place. It may be helpful to support bumper with a floor jack(s) during install. This will at minimum require two people to hold the bumper and a third person to install the supplied hardware.
5. Adjust the bumper to achieve good visual alignment.
6. Tighten all fasteners beginning with frame mounts. Then tighten all mount-to-bumper fasteners.





## Installation Instructions Toyota Tundra Front Black Steel Bumper

Product Number: K2860, K2861, K2862  
Application: '14-Current Toyota Tundra

7. Attach the Lower Guard. Insert two ½ in. bolt through bumper then lower guard and secure. Repeat on other side.



Figure 13

8. Connect wiring harnesses to lights.
9. Verify proper operation of lights.



# Installation Instructions

## Toyota Tundra Front Black Steel Bumper

Product Number: K2860, K2861, K2862  
Application: '14-Current Toyota Tundra

### Maintenance/Care

- Periodically check and tighten all fasteners.
- Stripped, fractured, or bent bolts or nuts need to be replaced.
- After washing of the vehicle make sure to fully dry all surfaces



More than expected... Better than expected