



# Installation Instructions

## Toyota Tundra Rear Bumper

Product Number: T1550/U1550  
Application: '07-Current Toyota Tundra

---

## SAFETY

---

### Your safety and the safety of others is very important.

- In order to help you make informed decisions about safety, we have provided installation instructions and other information.
- These instructions alert you to potential hazards that could hurt you or others.
- Please do a job safety analysis (JSA) before each task to identify potential hazards for your situation and remove/protect against them.
- You must use your own good judgment, and take your time.

**Read and understand all safety precautions and instructions before installing this product.**

THIS PRODUCT IS FOR OFFROAD USE ONLY. ALL LIABILITY FOR INSTALLATION AND USE RESTS WITH THE OWNER.

**CARELESS INSTALLATION AND OPERATION CAN RESULT IN SERIOUS INJURY OR EQUIPMENT DAMAGE.**

---

## Injury hazard

---

### Failure to observe these instructions could lead to severe injury or death.

- Always** remove jewelry and wear eye protection.
- Always** use extreme caution when jacking up a vehicle for work. Set emergency brake and use tire blocks. Locate and use the vehicle manufacturers designated lifting points. Use jack stands.
- Always** use appropriate and adequate care in lifting components into place.
- Always** insure components will remain secure during installation and operation.
- Always** wear safety glasses when installing this kit. A drilling operation will cause flying metal chips. Flying chips can cause serious eye injury.
- Always** use extreme caution when drilling on a vehicle. Thoroughly inspect the area to be drilled (on both sides of material) prior to drilling, and relocate any objects that may be damaged.
- Always** use extreme caution when cutting and trimming during fitting.
- Always** tighten all nuts and bolts securely per installation instructions.
- Always** route electrical cables carefully. Avoid moving parts, components that become hot and rough or sharp edges.
- Always** insulate and protect all exposed wiring and electrical terminals.
- Always** perform regular inspections and maintenance on mounts and related hardware.





# Installation Instructions Toyota Tundra Rear Bumper

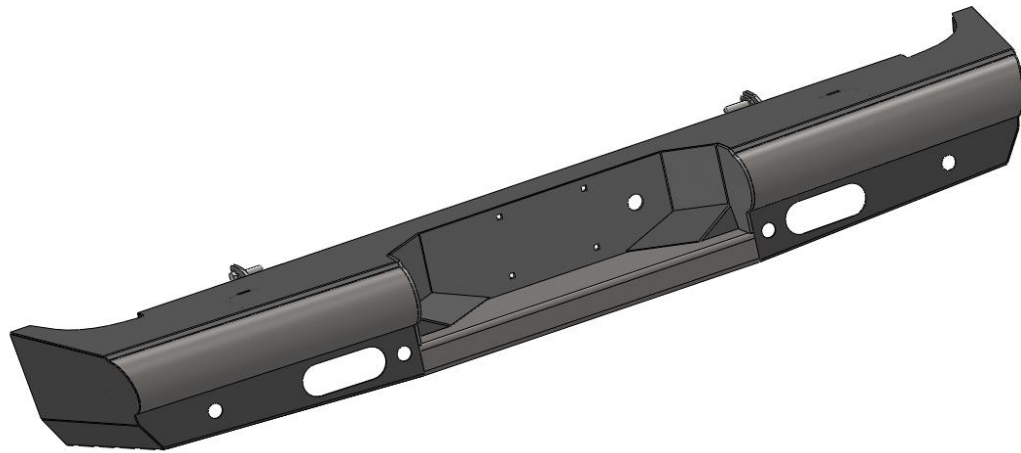
Product Number: T1550/U1550  
Application: '07-Current Toyota Tundra

## I. Overview

Congratulations on your new purchase of the industries' best and most stylish Rear Bumper available for the 2007+ Toyota Tundra! This Bumper has been **engineered** for strength while keeping the weight down.

Your Rear Bumper designed in 3-D from digitized data, CNC laser cut, fabricated, and powder coated... all in the U.S.A.

Enjoy the fit and finish of a quality Toyota Tundra Rear Bumper from Fab Fours Inc.





# Installation Instructions Toyota Tundra Rear Bumper

Product Number: T1550/U1550  
Application: '07-Current Toyota Tundra

## Tools Required

- Socket Wrench with Extension
- 3/4", 12mm, & 19mm Sockets
- 3/4", 12mm Box End Wrench
- Flat and Phillips Head Screw Drivers
- Floor Jack and wood block.

## II. Removal of Stock Bumper

***A. Using a Phillips head screw driver remove the license plate lights from each side of the OEM bumper. Disconnect the harness on the back side of the light to remove fully. Secure the harness out of harms way to the frame.***

***B. Remove your license plate from the OEM Bumper.***

***C. Remove the plastic corner pieces from the top of the OEM bumper by pulling up from the outside edge. If the plastic is being stubborn during removal the plastic clips can be popped loose from the bottom side of the bumper. See Image Below.***





## Installation Instructions Toyota Tundra Rear Bumper

Product Number: T1550/U1550  
Application: '07-Current Toyota Tundra

***D. Remove the Phillips head screw passing through the plastic that was hidden by the license plate previously. See Image Below.***



***E. Pop the plastic clips loose on the bottom side of the main piece of plastic on the top side of the bumper allowing access to the OEM fasteners.***

***F. Using a 12mm wrench remove the eight OEM fasteners holding the OEM bumper shell to the receiver hitch.***





## Installation Instructions Toyota Tundra Rear Bumper

Product Number: T1550/U1550  
Application: '07-Current Toyota Tundra

***G. Remove the OEM bumper and set aside.***

***H. Your Tuck is now ready for the installation of your new Fab Fours Rear Bumper!***

### III. Rear Bumper Installation

**NOTE: The Following Installation steps apply to the installation of the Rear Bumper. PLEASE READ THE ENTIRE MANUAL BEFORE ATTEMPTING INSTALLATION! Ignoring these steps will increase your probability of scratching the vehicle during product Installation!**

***A. Remove the Bumper from the shipping carton. Lay all items out on a blanket to prevent damage to the powder coating.***

***B. Using a 19mm socket and wrench to remove the three bolts from each side of the hitch frame plate.***

***C. Using the OE Hardware install the supplied intermediate mounting brackets to the hitch frame plate. Complete on both driver and passenger sides of vehicle. Do Not Fully Tighten, Finger Tighten Only. See Image Below.***



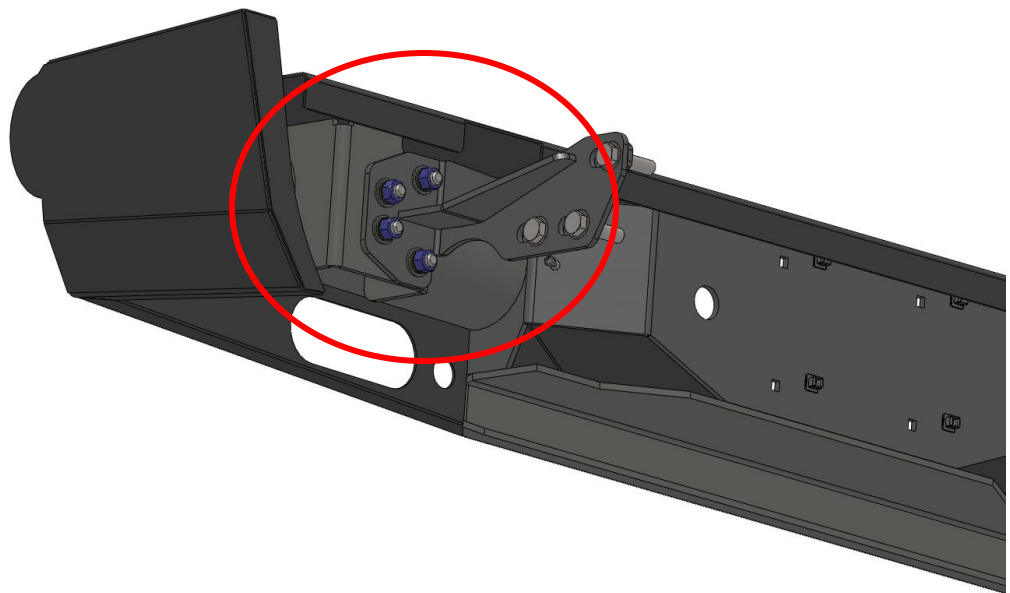


## Installation Instructions Toyota Tundra Rear Bumper

Product Number: T1550/U1550  
Application: '07-Current Toyota Tundra

***D. With the help of two friends and possibly a floor jack to help support the center of the bumper lift the Fab Fours bumper into place.***

***E. With the bumper held into place insert the supplied ½” fasteners through the bumper and into the bumper brackets placing the nuts on the front side of the frame mount. Do Not Fully Tighten. See Image Below.***



***F. Align the bumper side to side and top to bottom to ensure a perfect fit to the truck. Allow for a 0.5” clearance to all painted surfaces if possible to allow for frame flex.***

***G. Check that the tailgate does not interfere with the bumper by opening it very carefully and lowering it into place. If tailgate is too close to the bumper, adjust bumper lower.***

***H. Fully tighten all fasteners between bumper and brackets***





# Installation Instructions

## Toyota Tundra Rear Bumper

Product Number: T1550/U1550  
Application: '07-Current Toyota Tundra

*and brackets and frame.*

*I. Install the Supplied license plate light by inserting it into the round hole. Tap into OEM wiring.*

*J. Install supplied license plate plastic nut inserts and license plate.*

*K. Enjoy your New Rear Replacement Bumper from Fab Fours!*





# Installation Instructions Toyota Tundra Rear Bumper

Product Number: T1550/U1550  
Application: '07-Current Toyota Tundra

## IV. Maintenance/Care

- Periodically check and tighten all fasteners.
- Stripped, fractured, or bent bolts or nuts need to be replaced.
- After washing of the vehicle make sure to fully dry all surfaces



More than expected... Better than expected

