

Made in the U.S.A.!



Installation Instructions

Toyota Tundra [Winch](#) Mount with Pre-Runner

Product Number: N1850

Application: 2007+ Toyota Tundra

SAFETY

Your safety and the safety of others is very important.

- In order to help you make informed decisions about safety, we have provided installation instructions and other information.
- These instructions alert you to potential hazards that could hurt you or others.
- Please do a job safety analysis (JSA) before each task to identify potential hazards for your situation and remove/protect against them.
- You must use your own good judgment, and take your time.
- **Read and understand all safety precautions and instructions before installing this product.**
- ALL LIABILITY FOR INSTALLATION AND USE OF THIS PRODUCT RESTS WITH THE OWNER.
- **CARELESS INSTALLATION AND OPERATION CAN RESULT IN SERIOUS INJURY OR EQUIPMENT DAMAGE.**

Injury Hazard

Failure to observe these instructions could lead to severe injury or death.

- Always** remove jewelry and wear eye protection.
- Always** use extreme caution when jacking up a vehicle for work. Set emergency brake and use tire blocks. Locate and use the vehicle manufacturers designated lifting points. Use jack stands.
- Always** use appropriate and adequate care in lifting components into place.
- Always** insure components will remain secure during installation and operation.
- Always** wear safety glasses when installing this kit.
- Always** use extreme caution when drilling on a vehicle. Thoroughly inspect the area to be drilled (on both sides of material) prior to drilling, and relocate any objects that may be damaged.
- Always** use extreme caution when cutting and trimming during fitting.
- Always** tighten all nuts and bolts securely per the installation instructions.
- Always** route electrical cables carefully. Avoid moving parts, components that become hot and rough or sharp edges.
- Always** insulate and protect all exposed wiring and electrical terminals.
- Always** perform regular inspection and maintenance on mounts and related hardware.

Operating Safety

- NEVER stand on the Winch Mount while the vehicle is in motion.
- Clean mud and debris off of Winch Mount prior to winch operation.

I. Tools Required

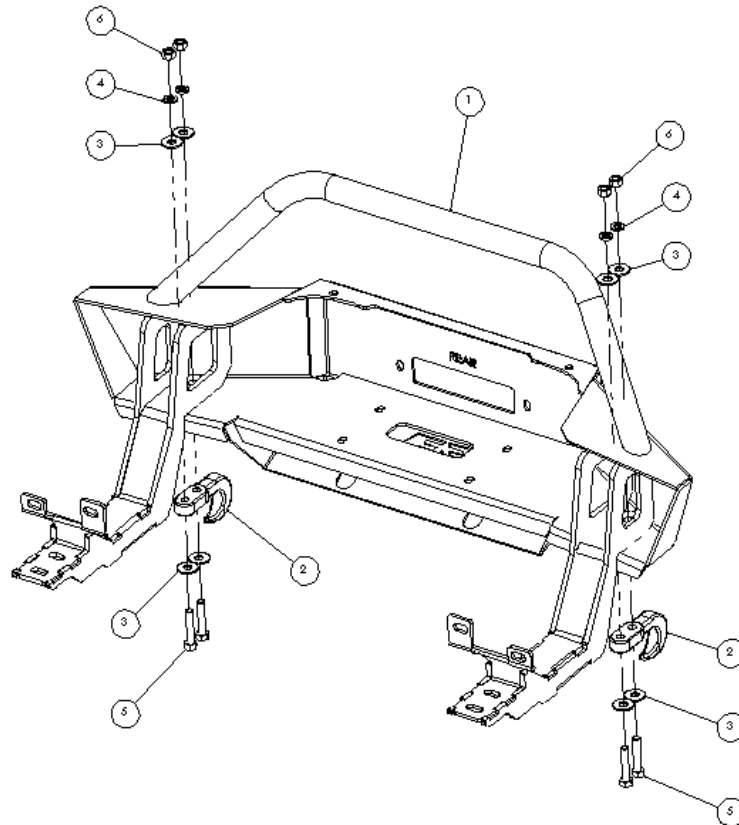
1/2" Drive Socket Wrench with 3" Extension, socket set, 1/2" Drive Torque Wrench and a wrench set.

II. Kit Contents

QTY	DESCRIPTION	FAB FOURS PART NUMBER
x 1	Winch Mount	N1850-W
x 2	Tow Hook	61366
x 1	N1850 Hardware Kit	N1850-HW
x 1	N1850 Toyota Tundra Instruction Manual	N1850-IM

III. Included Hardware

ITEM NO.	PART NUMBER	DESCRIPTION	TOP LEVEL ASSY DWG./SECT.
1	N1850-W	WINCH MOUNT WELDMENT	1
2	StandardTowHook	STANDARD TOW HOOK	2
3	Preferred Wide FW 0.5	1/2" FLAT WASHER, ZINC	8
4	Regular LW 0.5	1/2" LOCK WASHER, ZINC	4
5	BOLT 0.5000-13x2.5x1.28-N	1/2"-13x2.5" HEX BOLT, Gr8, ZINC	4
6	NUT 0.5000-13-D-N	1/2"-13 HEX NUT, Gr8, ZINC	4



IV. Vehicle Preparation

1. From underneath the vehicle, unbolt the OEM tow hooks using a 17mm socket and wrench. There are two bolts per tow hook.
2. From underneath the vehicle, use a Philips head screwdriver to drop the bottom plastic component of the bumper to gain access to the bumper mounts.
3. Using a 14mm socket or wrench, remove the bottom nut from the factory bumper to frame mounts, one on each side of each mount, 4 in total.

NOTE: Set aside any hardware removed as it will be re-used when installing the winch mount.

V. Installation of Fab Fours Winch Mount

1. Review the exploded parts view above
2. Install the small frame winch (Customer Supplied).
3. With the aid of a lifting device or additional helpers, lift the winch mount and position it so that the mounts slide over the studs on the frame ends.
4. Install the OEM tow hook hardware through the bottom of the winch mount holes.
5. Install the OEM bumper mounting nuts over the winch mounts.
6. Check winch mount for satisfactory alignment before tightening fasteners down.
7. Refasten lower bumper plastic.