



Installation Instructions Jeep JL Slant Back Tire Carrier

Product Number: JL2070
Application: '18+ JEEP JL

! IMPORTANT SAFETY GUIDE

- Your safety and the safety of others is very important.
- In order to help you make informed decisions about safety, we have provided the following warnings, safety precautions, installation instructions, and other important information to alert you to potential hazards that could hurt you or others.
- Please do a job safety analysis before each task to identify potential hazards for your situation and remove/protect against them.
- Use own good judgment and take your time.
- Check packaged materials immediately upon arrival to ensure that all listed parts are included and undamaged.

Read and understand all warnings, safety precautions, and instructions before installing this product.

SENSORS FIELD OF VIEW WILL BE ALTERED WITH USE OF THE REPLACEMENT BUMPER.

WARNINGS

- **FAILURE TO OBSERVE THE FOLLOWING WARNINGS AND INSTRUCTIONS PROVIDED IN THIS MANUAL COULD LEAD TO SEVERE INJURY AND/OR DEATH.**
- **FOR PROFESSIONAL INSTALLATION ONLY. CARELESS INSTALLATION AND/OR OPERATION CAN RESULT IN SERIOUS INJURY, DEATH, AND/OR EQUIPMENT DAMAGE. ALL LIABILITY FOR INSTALLATION AND USE RESTS WITH THE USER OR CONSUMER.**
- **FAB FOURS, INC. ONLY APPROVES INSTALLING THIS PRODUCT ACCORDING TO THESE WRITTEN INSTRUCTIONS WITH THE HARDWARE PROVIDED. FAILURE TO INSTALL ACCORDING TO THESE INSTRUCTIONS WILL INVALIDATE THE WARRANTY. THIS INCLUDES, BUT IS NOT LIMITED TO, USING ALTERNATIVE INSTALLATION METHODS, HARDWARE, OR MATERIALS.**
- **THIS PRODUCT IS FOR OFFROAD USE ONLY.**





Installation Instructions

Jeep JL Slant Back Tire Carrier

Product Number: JL2070
Application: '18+ JEEP JL

SAFETY PRECAUTIONS

- Always remove jewelry and wear eye protection.
- Always use extreme caution when jacking up a vehicle for work. Set emergency brake and use tire blocks. Locate and use the vehicle manufacturers designated lifting points. Use jack stands.
- Always use appropriate and adequate care in lifting components into place.
- Always ensure components will remain secure during installation and operation.
- Always wear safety glasses when installing this kit. A drilling operation will cause flying metal chips. Flying chips can cause serious eye injury.
- Always use extreme caution when drilling a vehicle. Always disconnect power before welding. Thoroughly inspect the area to be drilled (on both sides of material when possible) prior to drilling, and relocate any objects that may be damaged.
- Always use extreme caution when welding a vehicle. Thoroughly inspect the area to be welded (on both sides of material when possible) prior to welding, and relocate any objects that may be a fire hazard. When welding in a cab, make sure the interior surfaces are covered (*e.g.*, welding blanket) and a fire extinguisher is at hand.
- Always use extreme caution when cutting and trimming during fitting.
- Always tighten all nuts and bolts securely per installation instructions.
- Always route electrical cables carefully. Avoid moving parts, components that become hot, and rough or sharp edges.
- Always insulate and protect all exposed wiring and electrical terminals.
- Perform regular inspections and maintenance on mounts and hardware.
- Tire may rub at max turn or articulation.





Installation Instructions Jeep JL Slant Back Tire Carrier

Product Number: JL2070
Application: '18+ JEEP JL

I. Overview

Congratulations on your new purchase of the industries' best Jeep JL Slant Back Tire Carrier! This tire carrier has been **engineered** for strength while reducing weight.

Your bumper was designed, CNC laser cut, fabricated, and powder coated... all in the U.S.A.

Enjoy the fit and finish of a quality JL Slant Back Tire Carrier from Fab Fours Inc!





Installation Instructions Jeep JL Slant Back Tire Carrier

Product Number: JL2070
Application: '18+ JEEP JL

II. Installation

1. Take the OEM tire carrier off the door and set hardware aside for later use. Make sure to take the wire harness and camera out the of tire carrier.
2. Use the 1/2" bolts with spacers, washers and nuts to install the turn buckles onto the door plate.

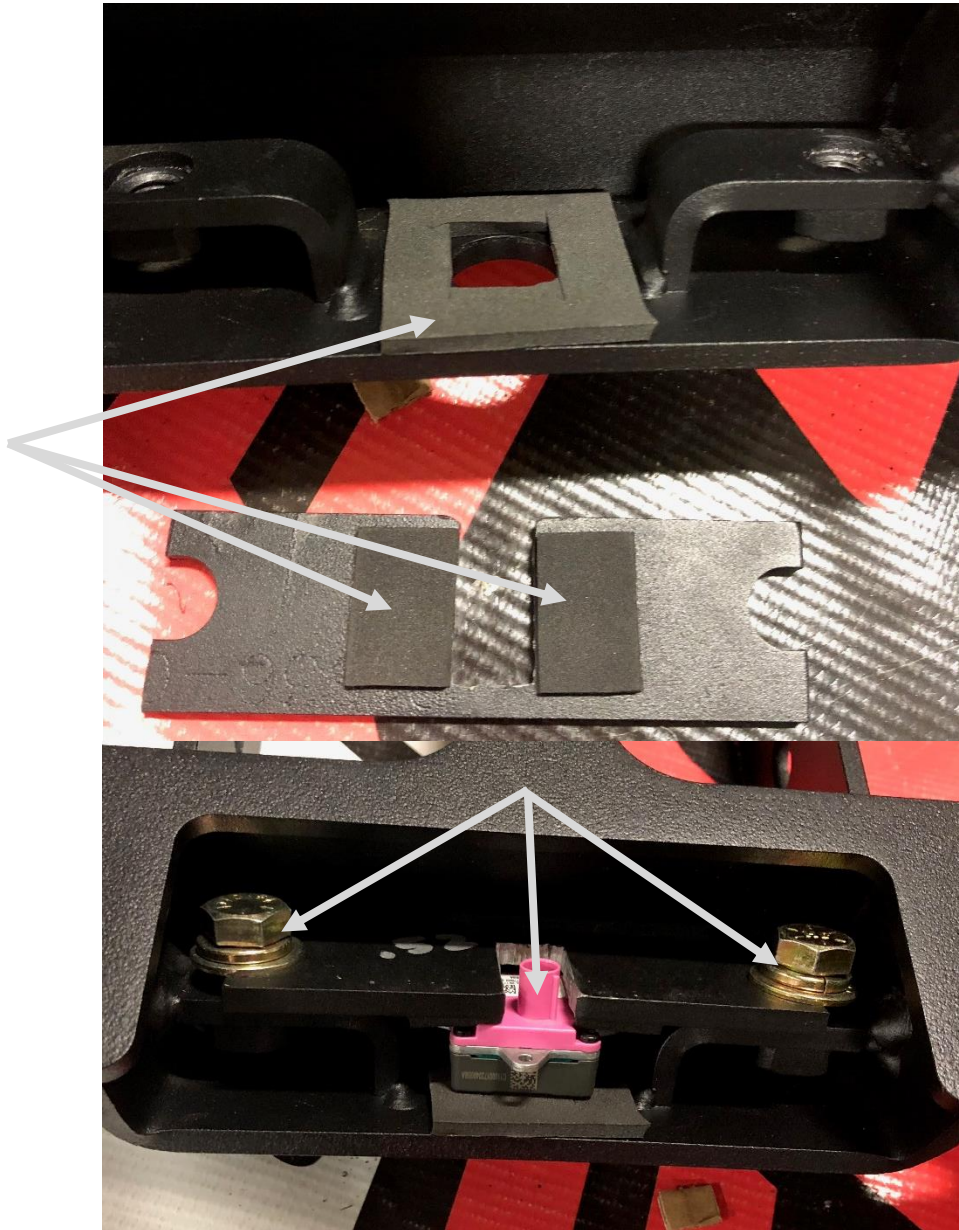




Installation Instructions Jeep JL Slant Back Tire Carrier

Product Number: JL2070
Application: '18+ JEEP JL

3. If your JL has a rear camera, install it into the camera housing using the foam tape and camera bracket with 3/8" bolts as shown. (Cut the tape to shape as shown)





Installation Instructions Jeep JL Slant Back Tire Carrier

Product Number: JL2070
Application: '18+ JEEP JL

4. Take the Haiti and install it on the door plate using the 7/16" bolts.

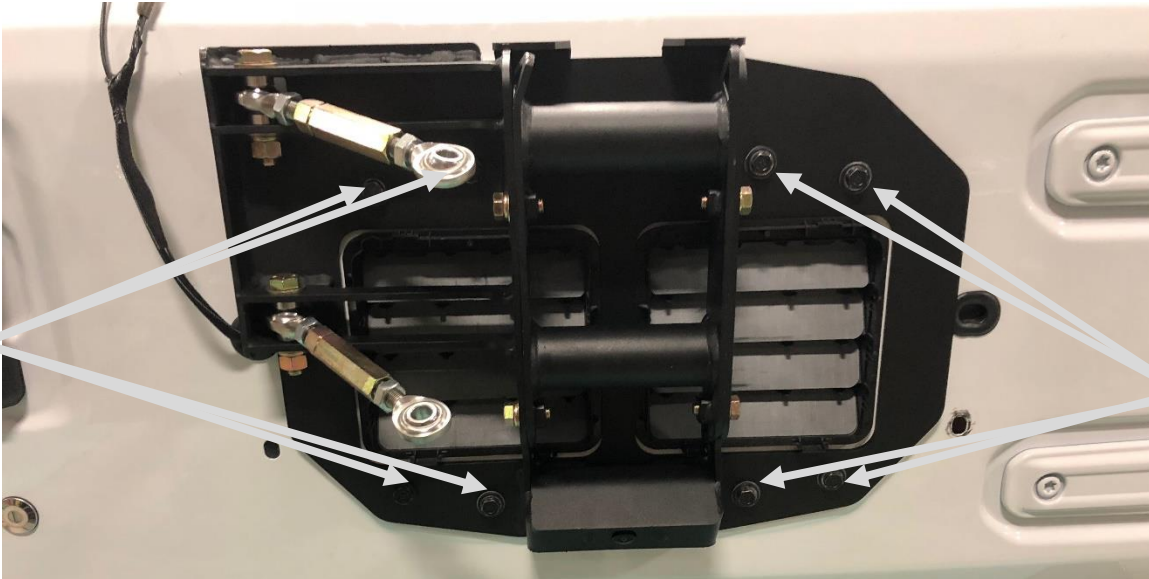




Installation Instructions Jeep JL Slant Back Tire Carrier

Product Number: JL2070
Application: '18+ JEEP JL

5. Install the door plate using the OEM hardware (make sure to attach camera harness)



6. Take the rubber stops and attach them to the swing arm using the 3/8" bolts. (Make sure to push the stops up against the metal gussets as shown before fastening)





Installation Instructions Jeep JL Slant Back Tire Carrier

Product Number: JL2070
Application: '18+ JEEP JL

7. Take the swing arm mount and place it in the bumper. Take 2x of the 7/16" bolts with washers and thread them into the bumper mount plate. Use the pin as shown to make sure alignment is correct. (Leave loose)





Installation Instructions Jeep JL Slant Back Tire Carrier

Product Number: JL2070
Application: '18+ JEEP JL

8. Take the grease fitting and install it into the swing arm. Then take the cobra along with the pin and bushing and install them together as shown. (Place the bushing between the cobra and the bottom of the swing arm.)





Installation Instructions Jeep JL Slant Back Tire Carrier

Product Number: JL2070
Application: '18+ JEEP JL

9. Take the swing arm assembly and put it on the bumper by place the pin through the bumper into the mount. Use the 7/16" bolts in the back and 3/8" bolts on the front to attach the assembly to the bumper. Tighten all mounting bolts on the cobra and the mount very well.





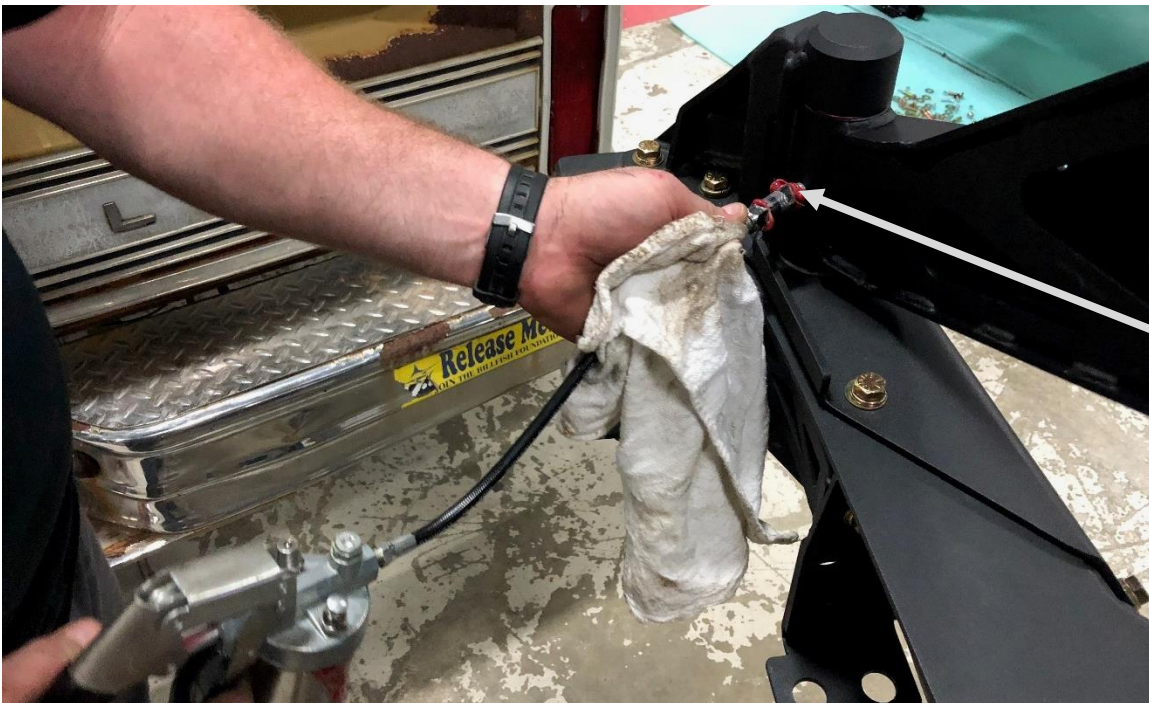
Installation Instructions Jeep JL Slant Back Tire Carrier

Product Number: JL2070
Application: '18+ JEEP JL

10. Take the 1/4" bolt and fasten the pin in place through the mount.



11. Once the swing arm is installed use a grease gun to fill the swing arm cylinder with grease.





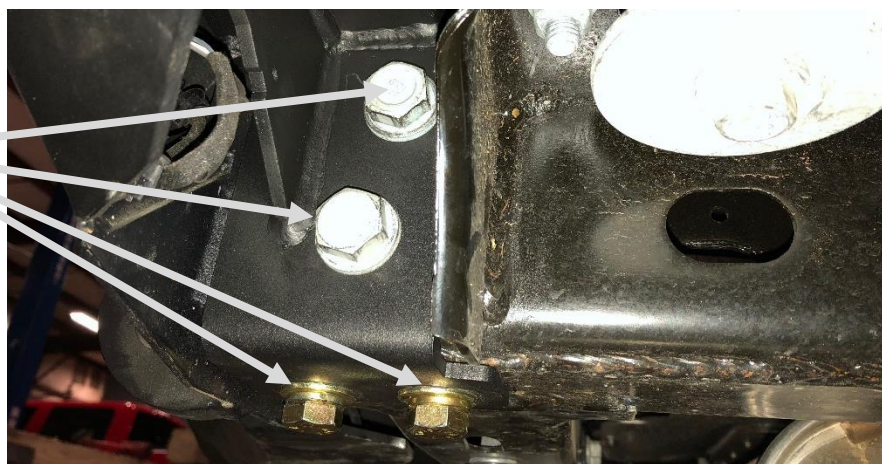
Installation Instructions Jeep JL Slant Back Tire Carrier

Product Number: JL2070
Application: '18+ JEEP JL

- At this point the bumper and swing arm can be installed. Take the nut plate and place it in the passenger side frame.



- With a friend, carefully hold the bumper and swing arm assembly up to the Jeep and use the 1/2" bolts to attach the nut plate along with the OEM side bolts.

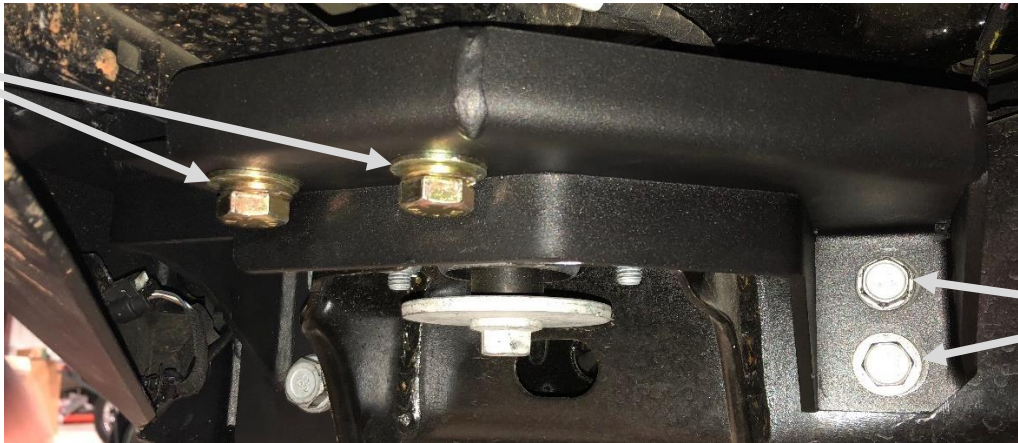




Installation Instructions Jeep JL Slant Back Tire Carrier

Product Number: JL2070
Application: '18+ JEEP JL

14. Take the frame stiffener and attach it to the frame using OEM bolts, then attach it to the bumper mount using ½” bolts.



15. Take the turn buckles and put them through the swing arm and attach them using the ½” bolts with spacers and washers. (Tighten securely)





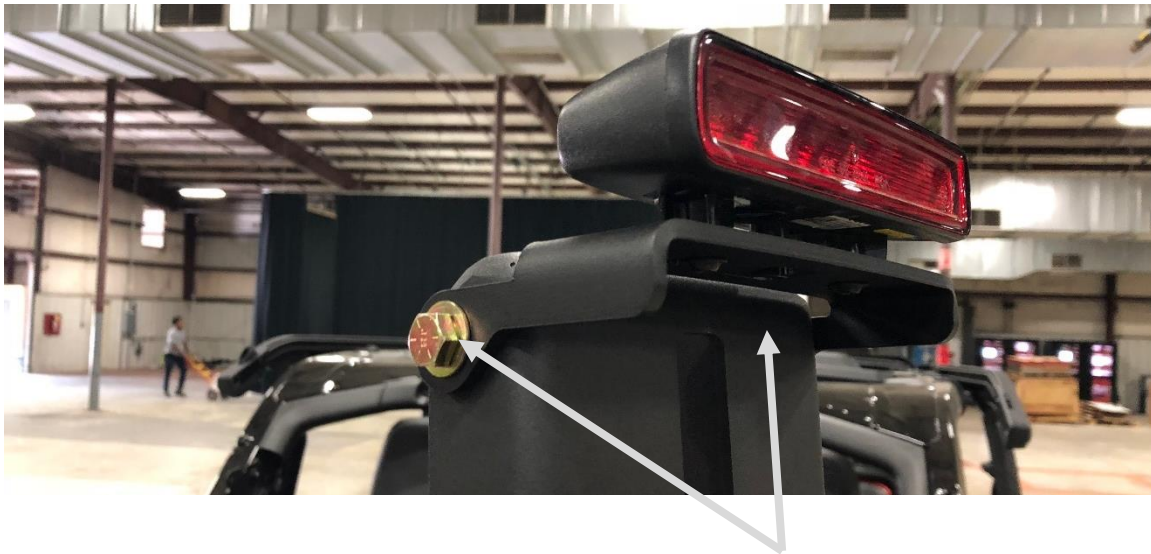
Installation Instructions Jeep JL Slant Back Tire Carrier

Product Number: JL2070
Application: '18+ JEEP JL

16. Take the slant back brackets and place them on the swing arm loosely using the 1/2" bolts.



17. Now take the OEM 3rd brake light and attach it to the tire cradle the light bracket and 3/8" and nuts.

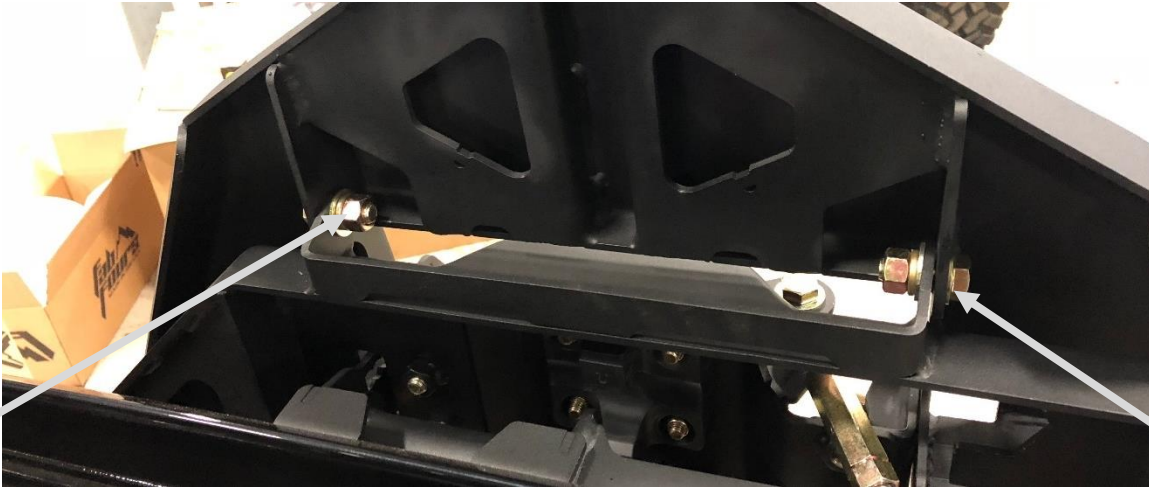




Installation Instructions Jeep JL Slant Back Tire Carrier

Product Number: JL2070
Application: '18+ JEEP JL

18. Now take the tire cradle and attach it to the pivot point on the swing arm using $\frac{1}{2}$ " bolts washers and nuts.



19. Use the $\frac{1}{2}$ " bolts washers and nuts and bolt through the cradle to the swing arm brackets. (At this point you can chose the desired angle you would like the tire carrier to sit at). Thoroughly tighten all bracketing and mounting bolts at this point.

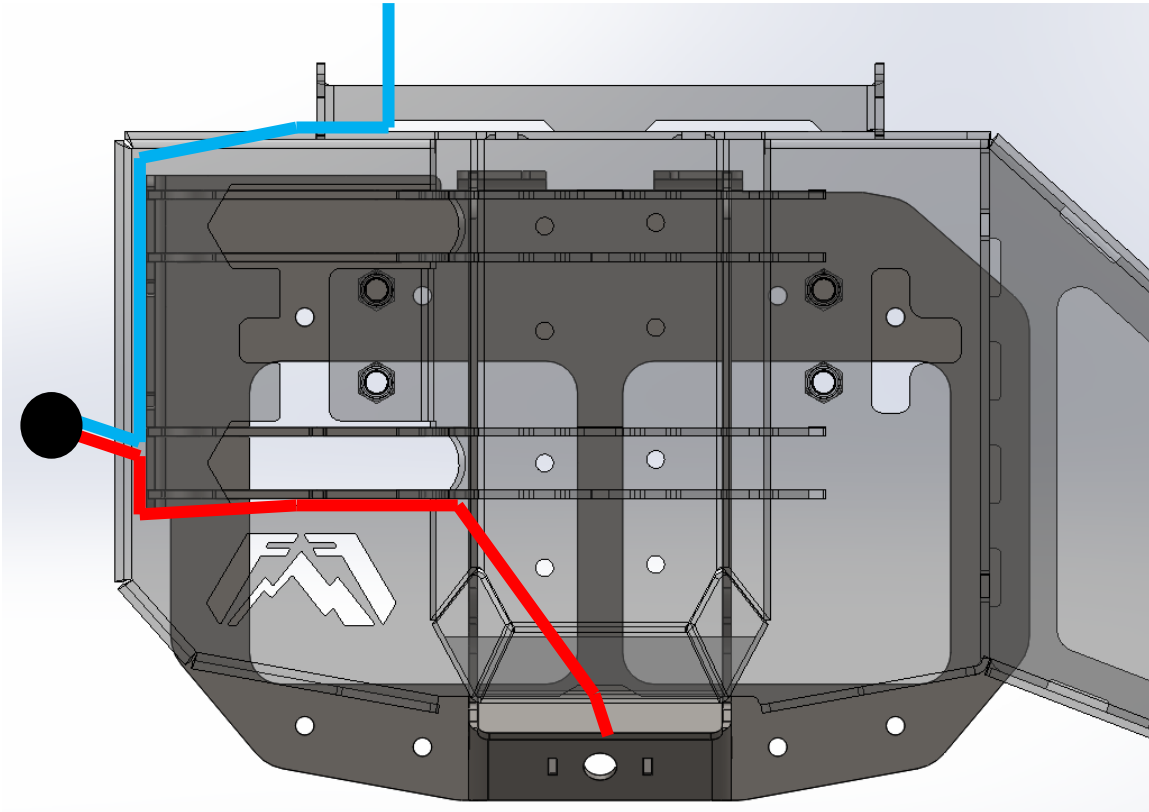




Installation Instructions Jeep JL Slant Back Tire Carrier

Product Number: JL2070
Application: '18+ JEEP JL

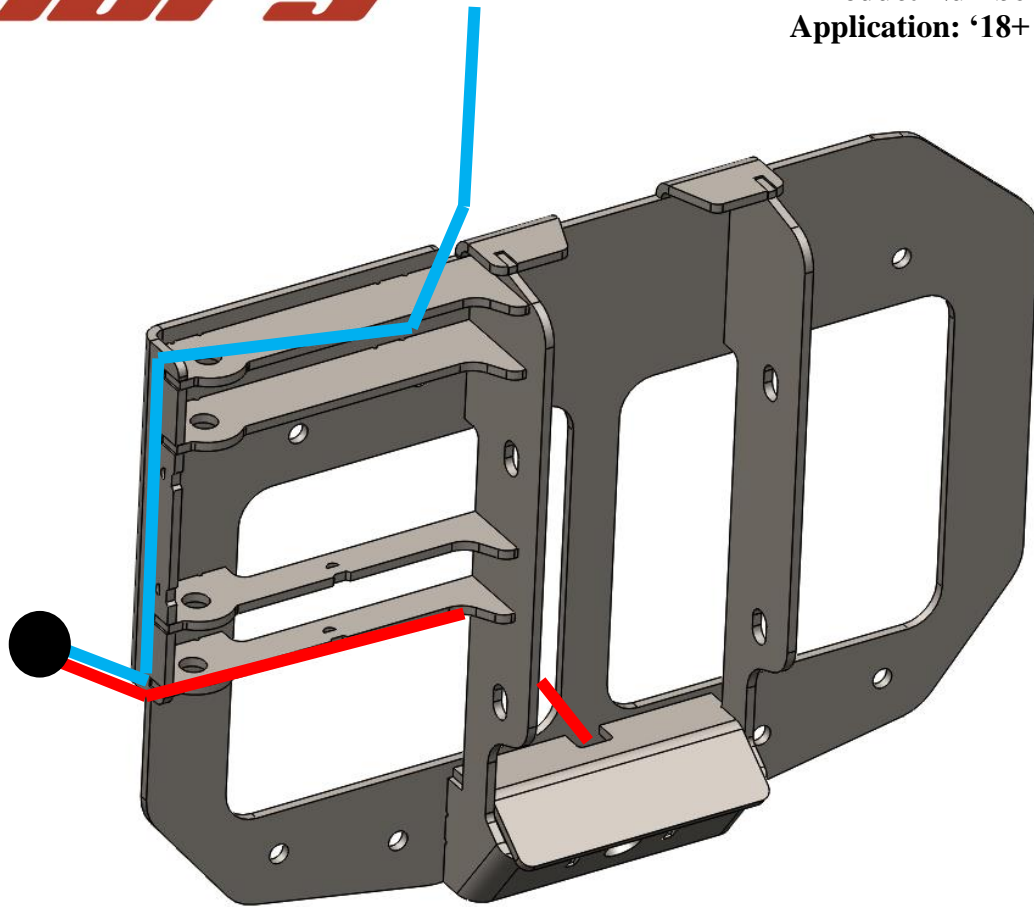
20. Run the OEM wire harness to the camera and the 3rd brake light as shown below. (If placing the 3rd bracket light on highest mounting point, use the extension wires sent in the kit)





Installation Instructions Jeep JL Slant Back Tire Carrier

Product Number: JL2070
Application: '18+ JEEP JL



21. Use zip tie holes to secure the harness in place

VII. Maintenance/Care

- Periodically check and tighten all fasteners.
- Stripped, fractured, or bent bolts or nuts need to be replaced.

