



Installation Instructions

Front Factory Light Fender Flare

SKU: JL2006
2018 Jeep JL

IMPORTANT SAFETY GUIDE

- Your safety and the safety of others is very important.
- In order to help you make informed decisions about safety, we have provided the following warnings, safety precautions, installation instructions, and other important information to alert you to potential hazards that could hurt you or others.
- Please do a job safety analysis before each task to identify potential hazards for your situation and remove/protect against them.
- Use own good judgment and take your time.
- Check packaged materials immediately upon arrival to ensure that all listed parts are included and undamaged.

Read and understand all warnings, safety precautions, and instructions before installing this product.

SENSORS FIELD OF VIEW WILL BE ALTERED WITH USE OF THE REPLACEMENT BUMPER.

WARNINGS

- Failure to observe the following warnings and instructions provided in this manual could lead to severe injury and/or death.
- For professional installation only. Careless installation and/or operation can result in serious injury, death, and/or equipment damage. All liability for installation and use rests with the user or consumer.
- Fab Fours, Inc. Only approves installing this product according to these written instructions with the hardware provided. Failure to install according to these instructions will invalidate the warranty. This includes, but is not limited to, using alternative installation methods, hardware, or materials.
- This product is for off road use only.



Installation Instructions

Front Factory Light Fender Flare

SKU: JL2006
2018 Jeep JL

SAFETY PRECAUTIONS

- Always remove jewelry and wear eye protection.
- Always use extreme caution when jacking up a vehicle for work. Set emergency brake and use tire blocks. Locate and use the vehicle manufacturers designated lifting points. Use jack stands.
- Always use appropriate and adequate care in lifting components into place.
- Always ensure components will remain secure during installation and operation.
- Always wear safety glasses when installing this kit. A drilling operation will cause flying metal chips. Flying chips can cause serious eye injury.
- Always use extreme caution when drilling a vehicle. Always disconnect power before welding. Thoroughly inspect the area to be drilled (on both sides of material when possible) prior to drilling, and relocate any objects that may be damaged.
- Always use extreme caution when welding a vehicle. Thoroughly inspect the area to be welded (on both sides of material when possible) prior to welding, and relocate any objects that may be a fire hazard. When welding in a cab, make sure the interior surfaces are covered (e.g., welding blanket) and a fire extinguisher is at hand.
- Always use extreme caution when cutting and trimming during fitting.
- Always tighten all nuts and bolts securely per installation instructions.
- Always route electrical cables carefully. Avoid moving parts, components that become hot, and rough or sharp edges.
- Always insulate and protect all exposed wiring and electrical terminals.
- Perform regular inspections and maintenance on mounts and hardware.
- Tire may rub at max turn or articulation.



Installation Instructions

Front Factory Light Fender Flare

SKU: JL2006
2018 Jeep JL

Congratulations on your new purchase of the Jeep JL front fender assembly.

Your fenders were designed in 3-D from digitized data, CNC laser cut, fabricated, and powder coated... all in the U.S.A. Enjoy the fit and finish of a quality front fender from Fab Fours, Inc.





Installation Instructions

Front Factory Light Fender Flare

SKU: JL2006
2018 Jeep JL

TOOLS REQUIRED

- Allen wrenches
- Torx bit
- Socket set and wrenches
- Cut off wheel
- Anti-seize (recommended)

PROVIDED MATERIAL

| Fab Fours ID | Component Description | Qty |
|--------------|---|-----|
| 50151- HW | 3/8-16 X 5/8 BUTTON SOCKET CAP 18/8SS | 24 |
| 50151- HW | FLAT WASHER MS-15795- 814 18/8SS | 24 |
| 50151- HW | 10-32 X 3/4 BUTTON SOCKET CAP 18/8SS | 3 |
| 50151- HW | FLAT WASHER MS-15795- / #808 18/8SS | 3 |
| 50151- HW | 10-32 MACHINE SCREW NUT 18/8SS | 3 |
| 50151- HW | 5/16-18 x 3/4", BHCS, 18-8, SS | 4 |
| 50151- HW | 5/16, L/W, 18-8, SS | 4 |
| 50151- HW | 5/16, Washer, USS, 18-8, SS | 8 |
| 50151- HW | 5/16"-18, Hex Nut, 18-8, SS | 4 |
| 50151- HW | 3/8"-16 x 1", HHCS , Zinc, GR8 | 2 |
| 50151- HW | 3/8"-16 x , Hex Nut , Zinc, GR8 | 2 |
| 50151- HW | 3/8"-SAE x , Lock Washer , Zinc, GR8 | 2 |
| 50151- HW | 3/8"-SAE x , Flat Washer , Zinc, GR8 | 4 |
| 50086- HW | 3/8"-16 X 3/4 BUTTON SOC CAP SCREW 18/8SS | 20 |
| 50086- HW | FLAT WASHER MS-15795- 814 18/8SS | 40 |
| 50086- HW | 3/8"-16 Nylock Nut, 18/8 SS | 20 |
| 61739 | Hood Latch Kit | 1 |
| 21698 | PS Inner Cover Bracket | 1 |
| 21697 | PS Outer Cover Bracket | 1 |



Installation Instructions
Front Factory Light Fender Flare
SKU: JL2006
2018 Jeep JL

| | | |
|---------|-----------------------------|---|
| 21701 | DS Inner Cover Bracket | 1 |
| 21702 | DS Outer Cover Bracket | 1 |
| 21696 | Passenger Side Fender Cover | 1 |
| 21695 | Driver Side Fender Cover | 1 |
| 21699 | DS Inner Cover | 1 |
| 21700 | PS Inner Cover | 1 |
| 21710-W | PS Fender Skin | 1 |
| 21711-W | DS Fender Skin | 1 |



Installation Instructions

Front Factory Light Fender Flare

SKU: JL2006
2018 Jeep JL

FACTORY FENDER REMOVAL

1. Starting with the driver side, use the torx bit and unbolt the four (4) bolts holding the factory cowl to the Jeep. Save both cowl corners and all hardware for reinstallation. **(Figure 1)**



Figure 1

2. Remove the factory antenna before removing the passenger side fender. Save for reinstallation.

NOTE: We recommend removing the front doors now. Follow the instructions on how to remove doors according to your owner's manual.



Installation Instructions

Front Factory Light Fender Flare

SKU: JL2006
2018 Jeep JL

3. Locate and remove the following bolts:
 - a. Two (2) bolts found inside the door (**Figure 2**)
 - b. Two (2) bolts are found at the bottom of the rocker panel (**Figure 3**)
 - c. One (1) bolt next to the headlight (**Figure 4**)
 - d. Four (4) are accessed through the inner fender (**Figure 5-6**)
 - e. One (1) is under where the cowl cover was (**Figure 7**)
 - f. Five (5) are under the hood (**Figure 8**)



Figure 2



Installation Instructions
Front Factory Light Fender Flare
SKU: JL2006
2018 Jeep JL



Figure 3



Figure 4



Figure 5



Installation Instructions

Front Factory Light Fender Flare

SKU: JL2006
2018 Jeep JL



Figure 6



Figure 7



Figure 8



Installation Instructions

Front Factory Light Fender Flare

SKU: JL2006
2018 Jeep JL

4. Remove the fender. After removal, disconnect the running light/ turn signal harness behind the fender.
5. Reinstall the fender bolt (one on each side) that holds down the air box and the windshield washer fluid reservoir. **(Figure 9)**



Figure 9

6. Cut off the three factory fender support brackets on the frame that will interfere with the new fenders. **NOTE: DO NOT REMOVE FORWARD MOST BRACKET. (Figure 10)**



Figure 10

7. Touch up your frame with paint to prevent rust from forming if needed.
8. Remove the factory hood latch from the hood.



Installation Instructions

Front Factory Light Fender Flare

SKU: JL2006
2018 Jeep JL

FACTORY RUNNING LIGHT/ TURN SIGNAL REMOVAL

1. On the driver side fender, remove four (4) pins and one 8mm bolt. **(Figure 11)**



Figure 11

2. Remove the wire harness and bulbs from the fender.
3. Using a Phillips Head screw driver, remove the screw push pin holding down the front fender trim. **(Figure 12)**



Figure 12



Installation Instructions Front Factory Light Fender Flare SKU: JL2006

2018 Jeep JL

4. Remove the three (3) T-30 screws holding the fender support structure to the back of the light. The fender support structure will still be attached by a pop rivet that should not be removed. **(Figure 13)**



Figure 13

5. Remove the side marker/turn signal light by removing one (1) T-30 screw on the inside of the fender and gently slide it forward out of the fender.
6. Using a T-25 torx bit, remove the four (4) screws holding the light housing in place. **(Figure 14)**



Figure 14



Installation Instructions Front Factory Light Fender Flare SKU: JL2006

2018 Jeep JL

7. Press firmly from the outside along the top of the light housing to remove. There is a strip of double-sided tape that you will have to break lose as you push.
8. Remove the four (4) spring clip nuts from the fender that were used to hold the light housing in. **(Figure 15)**

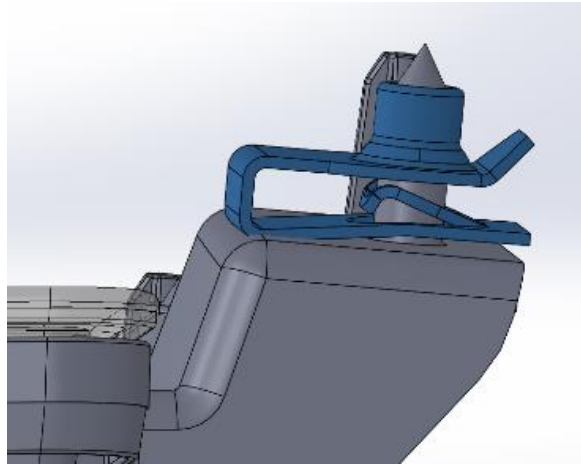


Figure 15

9. Repeat steps 1-8 for passenger side light housing.

FAB FOURS FENDER BASE INSTALLATION

1. With the fender still removed, install the included Hood Latch in the hood latch stand on you driver and passenger side fenders. **(Figure 16)**



Figure 16



Installation Instructions Front Factory Light Fender Flare SKU: JL2006

2018 Jeep JL

2. Install either the skin provided or the optional Fab Fours gillbox using the four (4) 3/8"-16x5/8 button cap and flat washer provided in the hardware kit (50151-HW) to both sides of the vehicle. If installing the skin, only install the back four (4) bolts, not used by the flare, and one (1) bolt at the front. (**Figure 17**)

NOTE: Anti-seize is always recommended when using stainless steel hardware. Using anti-seize will reduce chances of having to cut out a bolt.

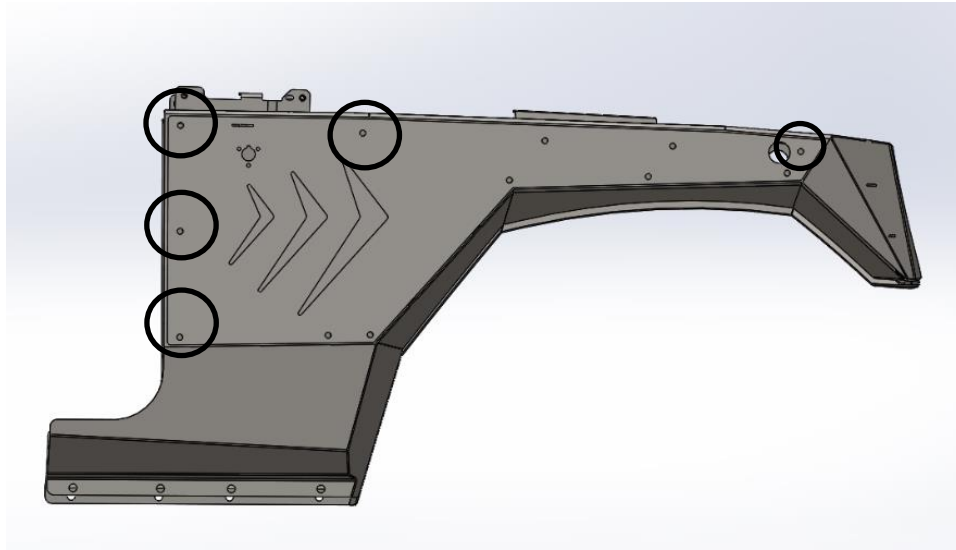


Figure 17

3. Install the factory antenna housing to the passenger side fender skin using the three (3) 10-32x3/4 button cap screw, flat washer and nut bolt stacks provided in the hardware kit.
4. Install the provide Hood Latch to the hood.
5. With assistance, lift your preassembled fender onto the vehicle. Loosely install five (5) factory bolts and one (1) 3/8"-16x1 bolt, flat washer, lock washer and nut from the provided hardware kit, in the front mounting hole located below the hood latch, on both sides of the vehicle. (**Figure 18**)

NOTE: If installing the passenger side, hold the fender away from the vehicle just far enough to fit your hand behind and connect the antenna lead to the antenna housing before installing the hardware.



Installation Instructions

Front Factory Light Fender Flare

SKU: JL2006
2018 Jeep JL



Figure 18

6. The fender should be tightened down starting from the front and working your way back.

NOTE: The factory nut clips can be fragile so use caution when tightening down the fender bolts.

7. Adjust and tighten the Drake Hood Latch to achieve desired hood/ fender gap.
8. Reinstall cowl corners using OEM fasteners.

FAB FOURS FENDER BASE INSTALLATION

1. Remove protrusions from lower mounting faces of the light housing using a grinder or similar. (Figure 19)

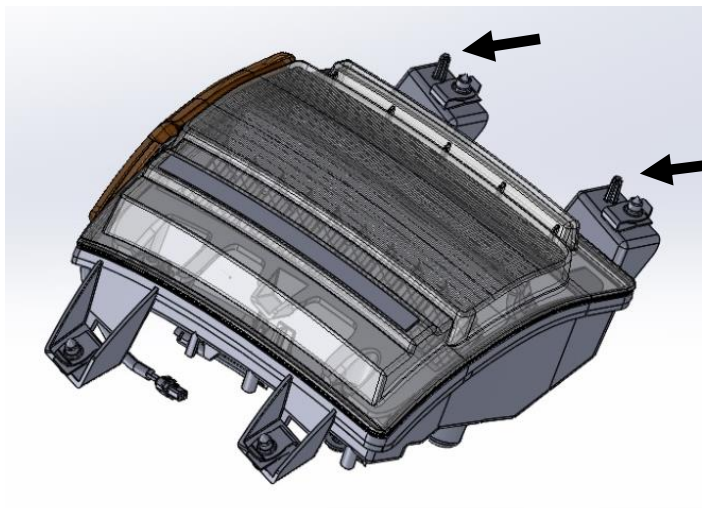


Figure 19



Installation Instructions

Front Factory Light Fender Flare

SKU: JL2006

2018 Jeep JL

2. Install two (2) spring clip nuts on the inner mounting brackets per side. (**Figure 20a-20c**)

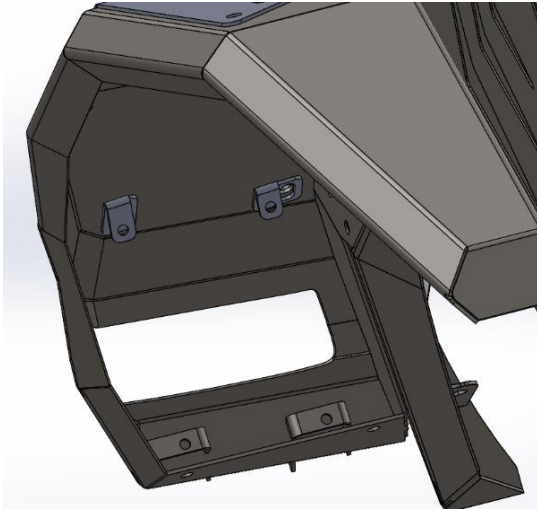


Figure 20a (Driver side)

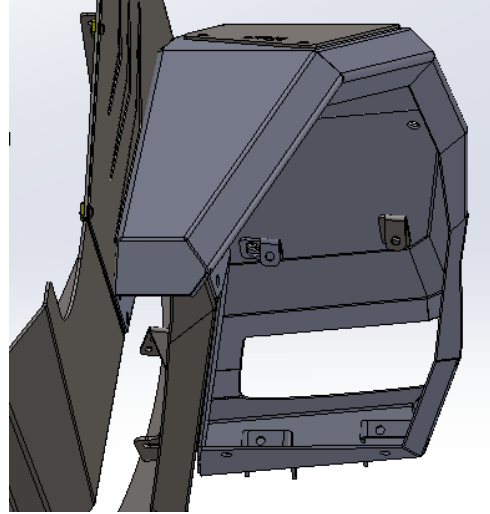


Figure 20b (Passenger side)



Figure 20c (DS inner and outer brackets)



Figure 20d (PS inner and outer brackets)

3. Install upper brackets onto the light housing (**Figure 21**)



Figure 21

4. Install the light into the fender using the OEM screw removed in step 6, to attach it to the lower brackets. (**Figure 22**)



Installation Instructions

Front Factory Light Fender Flare

SKU: JL2006
2018 Jeep JL



Figure 22

5. Using the OEM screw install, the turn/ marker light from the outside of the fender.
6. Install and fully tighten the outer skin with six (6) provided 3/8"-16x3/4 button head screw, flat washer and Nylock nut bolt stacks provided in the hardware kit (50086-HW). (Figure 23)

NOTE: Do not install the second row of bolts from the front. These hold the inner light cover back cover on which will need to be installed after the flare is on the base.

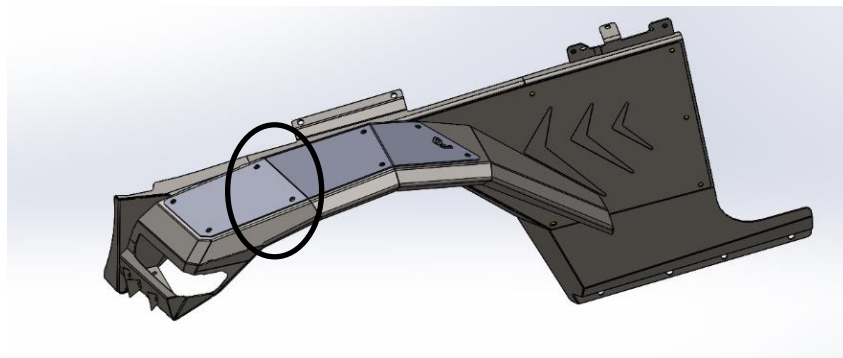


Figure 23

7. Install the wiring harness to the back of the light housing and fish it through the large hole opening in the mounting surface of the flare. (Figure 24)



Installation Instructions

Front Factory Light Fender Flare

SKU: JL2006
2018 Jeep JL

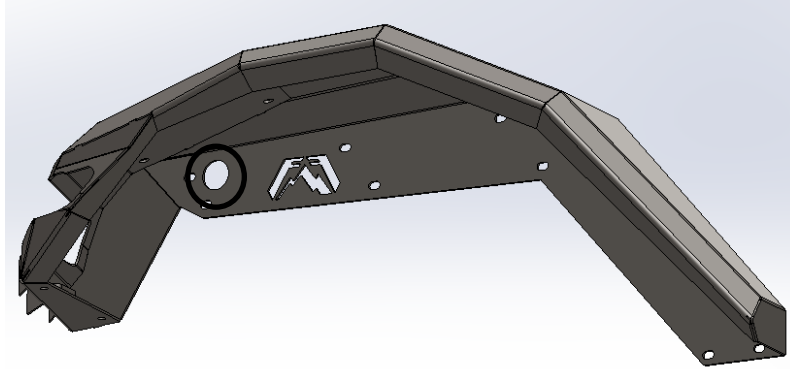


Figure 24

8. With assistance, hold the fender flare near the mounting position and feed the wiring harness through the clearance hole under the flare. (Figure 25)

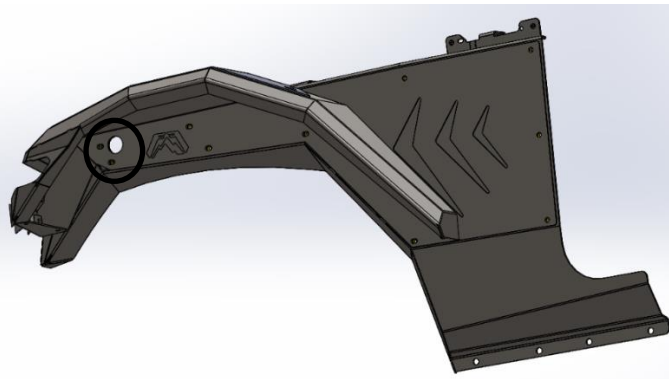


Figure 25

9. Position the fender flare on the fender base skin. Install and hand tighten four (4) 3/8"-16x5/8 bolt and flat washers, provided in the hardware kit (50151-HW), through the flare and skin and into the base.
10. Loosely install the remaining 3/8"-16x5/8 bolt and flat washers bolt stacks from the hardware kit (50151-HW) in the fender flare.

NOTE: Anti-seize is always recommended when using stainless steel hardware. Using anti-seize will reduce chances of having to cut out a bolt.

11. Position the fender where you want it in the slots of the flare and fully tighten down all hardware.
12. Install the inner light cover plate using two (2) 3/8"-16x3/4 bolt, flat washer and Nylock nut bolt stacks provided in the hardware kit (50086-HW) to the inside of the



Installation Instructions

Front Factory Light Fender Flare

SKU: JL2006
2018 Jeep JL

top of the fender. The bolt locations are the ones left out of the skin installation.
(Figure 26)

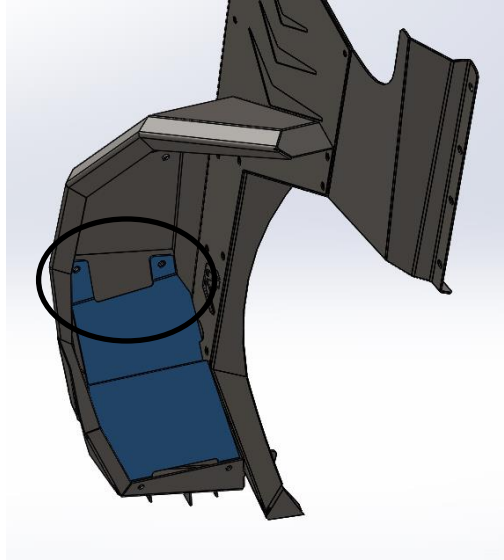


Figure 26

13. Install the inner light cover plate using two (2) 3/8"-16x3/4 bolt and flat washer stacks provided in the hardware kit (50086-HW) to the inside of the bottom of the fender. (Figure 27)

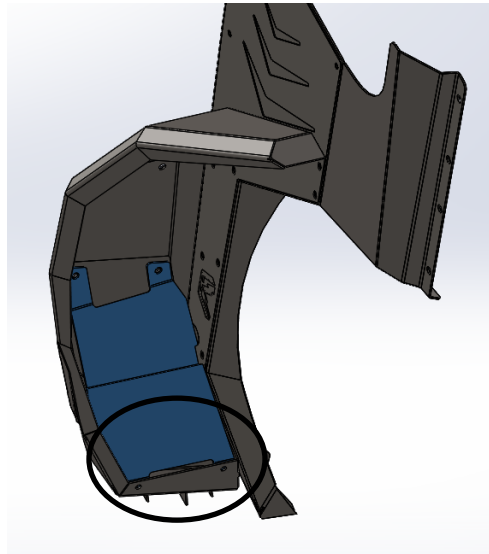


Figure 27

14. Repeat steps 1-12 for the passenger side.