



Installation Instructions

Jeep JK Hardcore Front Bumper

Product Number: B1853-B1854
Application: '07-Current Jeep Wrangler JK

SAFETY

Your safety and the safety of others is very important.

- In order to help you make informed decisions about safety, we have provided installation instructions and other information.
- These instructions alert you to potential hazards that could hurt you or others.
- Please do a job safety analysis (JSA) before each task to identify potential hazards for your situation and remove/protect against them.
- You must use your own good judgment, and take your time.

Read and understand all safety precautions and instructions before installing this product.

THIS PRODUCT IS FOR OFFROAD USE ONLY. ALL LIABILITY FOR INSTALLATION AND USE RESTS WITH THE OWNER.

CARELESS INSTALLATION AND OPERATION CAN RESULT IN SERIOUS INJURY OR EQUIPMENT DAMAGE.

Injury hazard

Failure to observe these instructions could lead to severe injury or death.

- Always** remove jewelry and wear eye protection.
- Always** use extreme caution when jacking up a vehicle for work. Set emergency brake and use tire blocks. Locate and use the vehicle manufacturers designated lifting points. Use jack stands.
- Always** use appropriate and adequate care in lifting components into place.
- Always** insure components will remain secure during installation and operation.
- Always** wear safety glasses when installing this kit. A drilling operation will cause flying metal chips. Flying chips can cause serious eye injury.
- Always** use extreme caution when drilling on a vehicle. Thoroughly inspect the area to be drilled (on both sides of material) prior to drilling, and relocate any objects that may be damaged.
- Always** use extreme caution when cutting and trimming during fitting.
- Always** tighten all nuts and bolts securely per installation instructions.
- Always** route electrical cables carefully. Avoid moving parts, components that become hot and rough or sharp edges.
- Always** insulate and protect all exposed wiring and electrical terminals.
- Always** perform regular inspections and maintenance on mounts and related hardware.



Installation Instructions Jeep JK Hardcore Front Bumper

Product Number: B1853-B1854

Application: '07-Current Jeep Wrangler JK

I. Overview

Congratulations on your new purchase of the industries' best high clearance Jeep JK front bumper! This bumper has been **engineered** for strength while keeping the weight down.

Your bumper was designed, CNC laser cut, fabricated, and powder coated... all in the U.S.A.

Enjoy the fit and finish of a quality JK front bumper from Fab Fours Inc!





Installation Instructions

Jeep JK Hardcore Front Bumper

Product Number: B1853-B1854

Application: '07-Current Jeep Wrangler JK

II. Tools Required

- Flat Head Screwdriver
- Phillips Screwdriver
- Socket Wrench With Extension
- 18mm Socket
- 19mm Socket
- 7/16" Open End Wrench
- 5/32" Allen Wrench

III. Vehicle Preparation

- Remove (4) dart clips from underside of OEM bumper/skid plate.
- Remove (2) dart clips from back side of plastic skid plate.
- Disconnect fog light harness from back of each fog lamp (if applicable).
- Remove (8) nuts from bumper studs using 18mm socket.



Figure 1

- Slide bumper forward slightly so that the studs still pass through frame but the bumper rocks forward. Remove fog harness retainer clips from bumper.



Installation Instructions Jeep JK Hardcore Front Bumper

Product Number: B1853-B1854

Application: '07-Current Jeep Wrangler JK

- ❑ F) Remove OEM bumper and set aside.



Figure 2

- ❑ Remove two dart clips from top bumper trim plastic using Phillips screwdriver. Set trim aside as it will not be re-used.



Figure 3

- ❑ If equipped, remove the OEM fog lights from the OEM bumper for reinstallation in the Fab Fours bumper.



Installation Instructions Jeep JK Hardcore Front Bumper

Product Number: B1853-B1854

Application: '07-Current Jeep Wrangler JK

IV. Bumper Preparation

- ❑ If your vehicle was equipped with OEM fog lights, use the provided thread forming screws to reinstall them in the light pockets in the Fab Fours bumper as shown below:

Note: If your vehicle did not come with OEM fog lights, a kit to install Fab Fours HD fog lights is available from your distributor. Reference Fab Fours P/N - JKST-LA

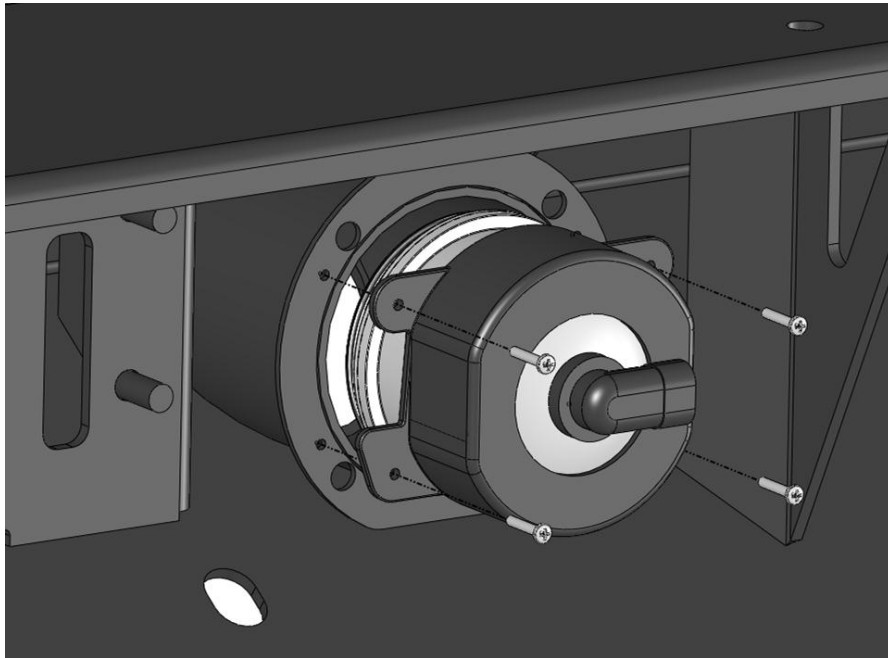


Figure 4

V. Bumper Installation

- ❑ Lift bumper and align mounting studs with holes in frame face plate.
- ❑ Secure loosely with (8 each) 10mm flat washer, lock washer and nut. Do not tighten fully.



Installation Instructions Jeep JK Hardcore Front Bumper

Product Number: B1853-B1854

Application: '07-Current Jeep Wrangler JK

- ❑ Because of the mounting system, little adjustment is necessary. Verify proper alignment and tighten all fasteners.

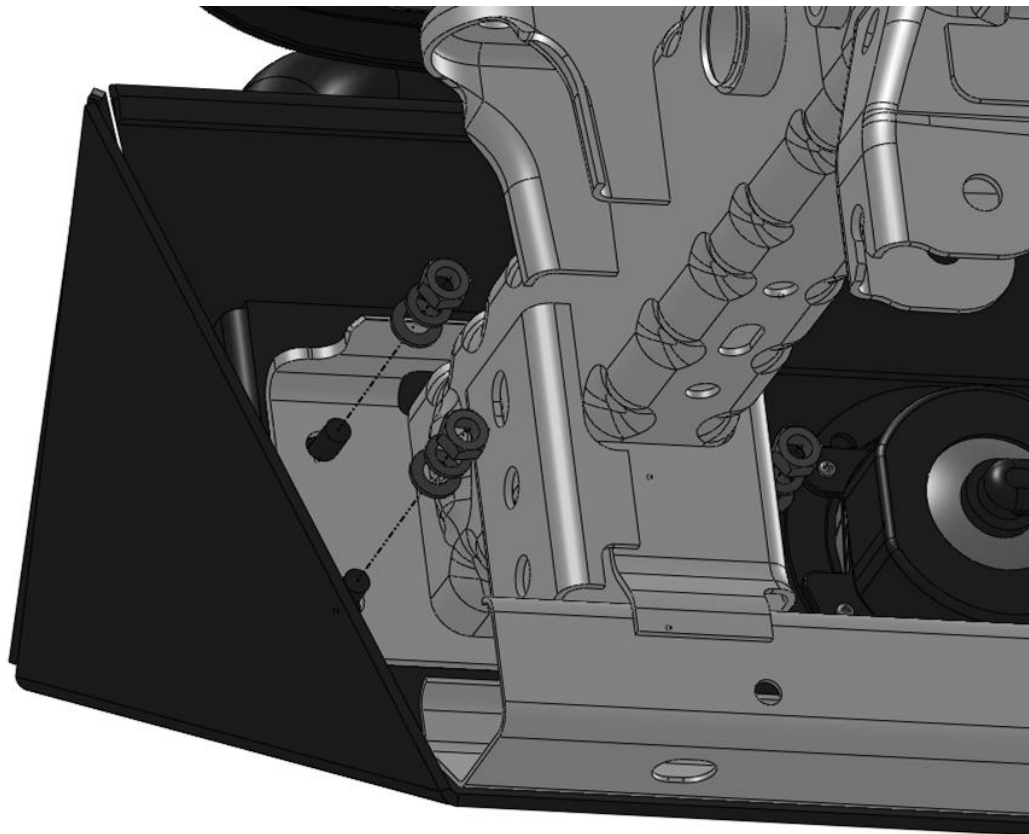


Figure 5

- ❑ If installing winch, do so now. Use the fairlead base plate to mount the fairlead to the bumper. Be sure to follow the instructions provided with winch.
- ❑ If equipped, reconnect the fog light wiring harness.