



Installation Instructions

Jeep JK Bumper & Winch Modifier

Product Number: B1855, B1856, B1857, B1858, B1859
Application: 2007+ Jeep Wrangler JK

SAFETY

Your safety and the safety of others is very important.

- In order to help you make informed decisions about safety, we have provided installation instructions and other information.
- These instructions alert you to potential hazards that could hurt you or others.
- Please do a job safety analysis (JSA) before each task to identify potential hazards for your situation and remove/protect against them.
- You must use your own good judgment, and take your time.

Read and understand all safety precautions and instructions before installing this product.

THIS PRODUCT IS FOR OFFROAD USE ONLY. ALL LIABILITY FOR INSTALLATION AND USE RESTS WITH THE OWNER.

CARELESS INSTALLATION AND OPERATION CAN RESULT IN SERIOUS INJURY OR EQUIPMENT DAMAGE.

Injury hazard

Failure to observe these instructions could lead to severe injury or death.

- Always** remove jewelry and wear eye protection.
- Always** use extreme caution when jacking up a vehicle for work. Set emergency brake and use tire blocks. Locate and use the vehicle manufacturers designated lifting points. Use jack stands.
- Always** use appropriate and adequate care in lifting components into place.
- Always** insure components will remain secure during installation and operation.
- Always** wear safety glasses when installing this kit. A drilling operation will cause flying metal chips. Flying chips can cause serious eye injury.
- Always** use extreme caution when drilling on a vehicle. Thoroughly inspect the area to be drilled (on both sides of material) prior to drilling, and relocate any objects that may be damaged.
- Always** use extreme caution when cutting and trimming during fitting.
- Always** tighten all nuts and bolts securely per installation instructions.
- Always** route electrical cables carefully. Avoid moving parts, components that become hot and rough or sharp edges.
- Always** insulate and protect all exposed wiring and electrical terminals.
- Always** perform regular inspections and maintenance on mounts and related hardware.



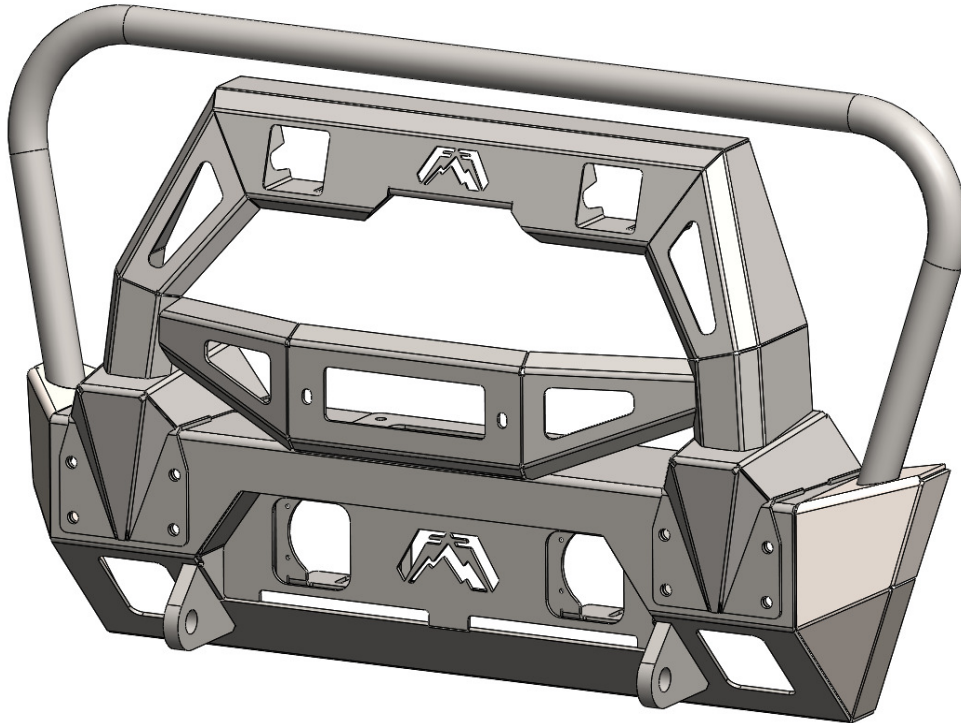
Installation Instructions

Jeep JK Bumper & Winch Modifier

Product Number: B1855, B1856, B1857, B1858, B1859
Application: 2007+ Jeep Wrangler JK

I. Overview

This guide outlines the combined installation of the Fab Fours Full Metal Jacket Jeep Wrangler JK bumper and winch modifier.



II. Tools Required

- Flat Head & Phillips Screwdriver
- Socket Wrench with Extensions
- 19mm Socket
- 3/4" Socket
- 1/2" Socket
- 5/16" Socket
- 5/16" Allen Wrench
- 3/16" Allen Wrench
- 7/64" Allen Wrench



Installation Instructions

Jeep JK Bumper & Winch Modifier

Product Number: B1855, B1856, B1857, B1858, B1859
Application: 2007+ Jeep Wrangler JK

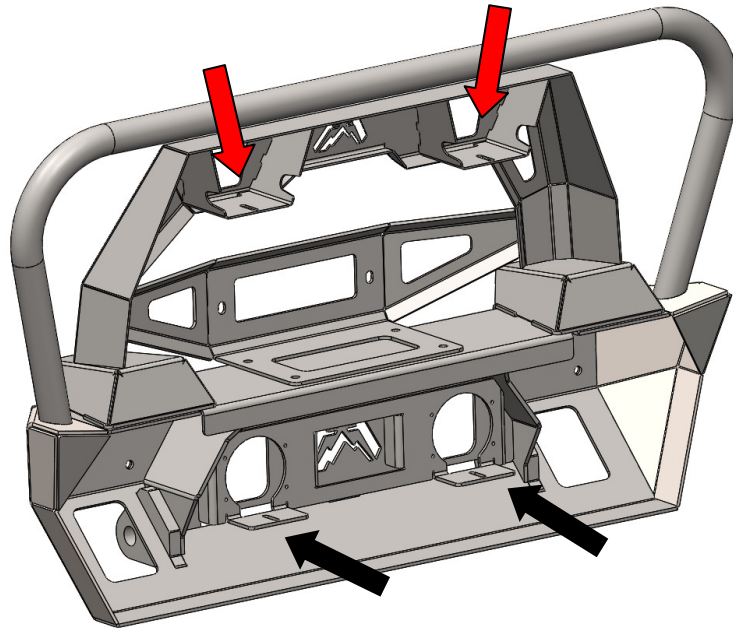
III. Installation

Remove Factory Bumper

- Remove 4 dart clips from underside of OEM bumper/skid plate
- Remove 2 dart clips from back side of plastic skid plate
- Disconnect fog light harness from back of each fog lamp (if applicable)
- Remove 8 nuts from bumper studs using 19mm socket
- Slide bumper forward slightly so that the studs still pass through frame but the bumper rocks forward. Remove fog harness retainer clips from bumper.
- Remove OEM bumper and set aside
- Remove two dart clips from top bumper trim plastic using Phillips screwdriver. Set trim aside as it will not be re-used

Pre-Assemble Fab Fours Bumper as Desired

- Install the OEM fog lights to the inside of the bumper using provided hardware (5/16" Socket and 7/64" Allen). Alternatively, install Rigid aftermarket fog lights to the inside of the bumper with Rigid supplied carriage bolt and Fab Fours supplied 1/4" thick spacer above mounting flange (1/2" Socket).



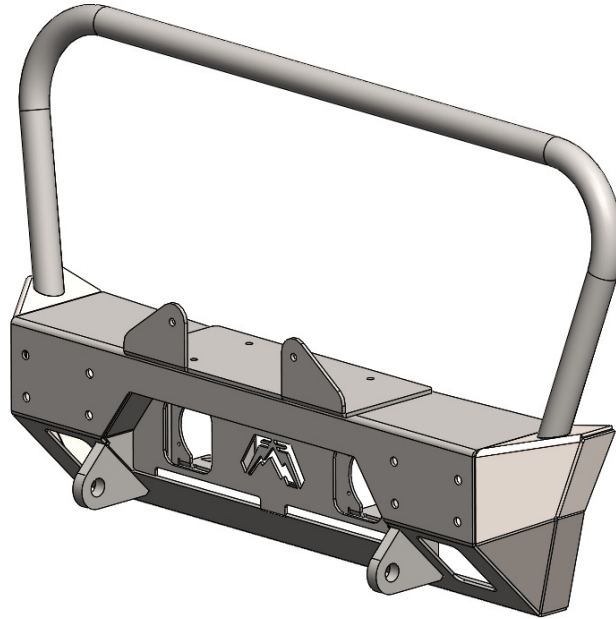
- Install Rigid aftermarket fog lights to the welded-in brackets in the winch modifier, if applicable. No spacer is required to mount the Rigid light in the modifier.



Installation Instructions

Jeep JK Bumper & Winch Modifier

Product Number: B1855, B1856, B1857, B1858, B1859
Application: 2007+ Jeep Wrangler JK



Bumper Assembly with Alternate Winch Plate

Winch and Fairlead Installation

- If purchased, set winch modifier (or alternate winch plate) on top of bumper, aligning holes in the front and top of the bumper with those of the modifier or winch plate.
- Insert at least one bolt and nut on each side through forward holes in bumper (and modifier) to aid in alignment during winch installation. Make sure to snug the bolts down well to make sure that alignment is maintained (3/4" Socket and 5/16" Allen).
- Set winch inside of modifier and install it according to the winch manufacturer's recommended procedures. Winch installation hardware should be supplied with the winch. Make sure winch mount bolts are installed through bumper and modifier (or alternate winch plate) to properly secure the winch to the bumper.
- Remove the fasteners that have been holding the alignment between the bumper and lifestyle modifier.
- With the aid of a lifting device and/or helpers, lift the bumper assembly into place onto the frame ends of the Jeep.
- Insert fasteners from the front of the bumper, and tighten nuts on the back side of the vehicle's mounting plates.
- Verify alignment, then completely tighten all fasteners (3/4" Socket and 5/16" Allen).



Installation Instructions
Jeep JK Bumper & Winch Modifier
Product Number: B1855, B1856, B1857, B1858, B1859
Application: 2007+ Jeep Wrangler JK

