



Installation Instructions

Dodge Ram Side Steps

Product Number: J1029

Application: 2010-2012 Dodge Ram Mega Cab, 2 steps per side

Made in the U.S.A. !

SAFETY

Your safety and the safety of others is very important.

- In order to help you make informed decisions about safety, we have provided installation instructions and other information.
- These instructions alert you to potential hazards that could hurt you or others.
- Please do a job safety analysis (JSA) before each task to identify potential hazards for your situation and remove/protect against them.
- You must use your own good judgment, and take your time.

Read and understand all safety precautions and instructions before installing this product.

ALL LIABILITY FOR INSTALLATION AND USE OF THIS PRODUCT RESTS WITH THE OWNER.

CARELESS INSTALLATION AND OPERATION CAN RESULT IN SERIOUS INJURY OR EQUIPMENT DAMAGE.

Injury Hazard

Failure to observe these instructions could lead to severe injury or death.

- Always** remove jewelry and wear eye protection.
- Always** use extreme caution when jacking up a vehicle for work. Set emergency brake and use tire blocks. Locate and use the vehicle manufacturers designated lifting points. Use jack stands.
- Always** use appropriate and adequate care in lifting components into place.
- Always** insure components will remain secure during installation and operation.
- Always** wear safety glasses when installing this kit. A drilling operation will cause flying metal chips. Flying chips can cause serious eye injury.
- Always** use extreme caution when drilling on a vehicle. Thoroughly inspect the area to be drilled (on both sides of material) prior to drilling, and relocate any objects that may be damaged.
- Always** use extreme caution when cutting and trimming during fitting.
- Always** tighten all nuts and bolts securely per installation instructions.
- Always** route electrical cables carefully. Avoid moving parts, components that become hot and rough or sharp edges.
- Always** insulate and protect all exposed wiring and electrical terminals.
- Always** perform regular inspections and maintenance on mounts and related hardware.

Installation Instructions

Dodge Ram Side Steps

Product Number: J1029

Application: 2010-2012 Dodge Ram Mega Cab, 2 steps per side

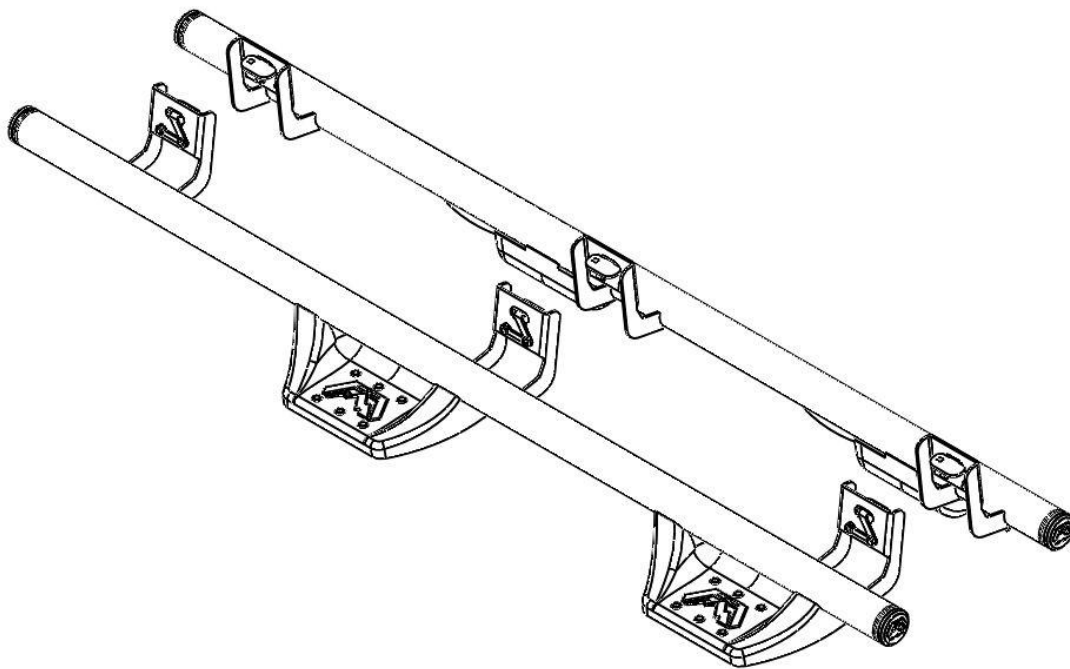
PATENT NOTE: There is one or more patent pending that covers this vehicle step assembly. Making or selling reproductions of the vehicle step assembly without prior written permission from Fab Fours Inc. is prohibited, except as allowed under the U.S. patent laws.

I. Overview

Congratulations on your new purchase of the industries' best and most stylish Side Step available for the 2010-2012 Dodge Ram Mega Cab! These Side Steps have been **engineered** for strength.

Your Side Steps are designed in 3-D from digitized data, CNC laser cut, fabricated, and powder coated... all in the U.S.A.

Enjoy the fit and finish of quality Dodge Ram Side Steps from FabFours Inc.



Installation Instructions

Dodge Ram Side Steps







Product Number: J1029

Application: 2010-2012 Dodge Ram Mega
Cab, 2 steps per side

II. Tools Required

- Socket Wrench with 6" Extension
- ½" socket
- Rubber mallet

III. Kit Contents

	QTY	DESCRIPTION	FAB FOURS PART NUMBER
	x 1	Passenger-side Side Step	20430
	x 1	Driver-side Side Step	20431
	x 6	Dodge 'Z' Nut Plate	104721-NPW
	x 4	End Cap	61367
	x 1	J7XXX Hardware Kit	J7XXX-HW
	x 1	J1029 Instruction Manual	J1029-IM

Installation Instructions

Dodge Ram Side Steps


Product Number: J1029

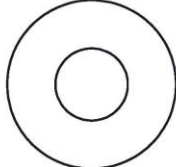
Application: 2010-2012 Dodge Ram Mega Cab, 2 steps per side

IV. Included Hardware

J7XXX-HW

12 x  5/16 split washer

12 x  5/16-18 x 7/8" long Grade 5 hex bolt

12 x  5/16 flat washer

Installation Instructions

Dodge Ram Side Steps

Product Number: J1029

Application: 2010-2012 Dodge Ram Mega
Cab, 2 steps per side

V. Installation of FabFours Side Steps

1. Identify the driver side FabFours Side Step. The driver side FabFours Side Step is shown below:

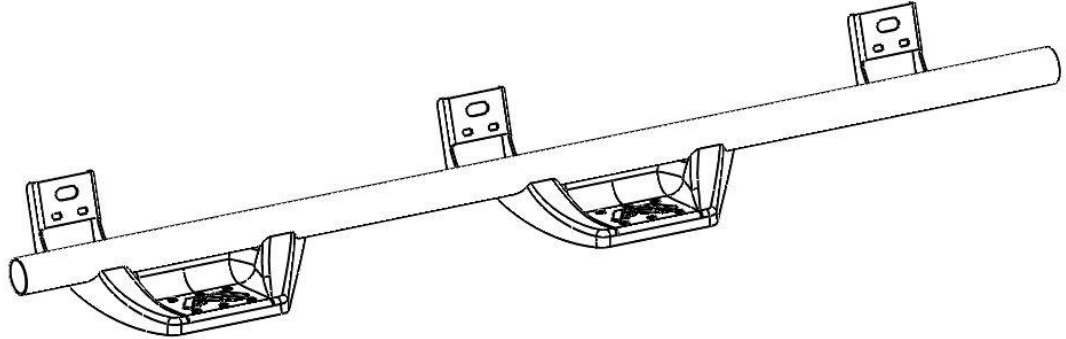


Figure 1 - DRIVER SIDE FABFOURS SIDE STEP

2. From underneath the driver side of the vehicle, lift the FabFours Side Step to a position where the front Z-clip can be installed through the side step bracket and the frame rail. The Z-clip being installed is shown in Figure 2.

Installation Instructions

Dodge Ram Side Steps

Product Number: J1029

Application: 2010-2012 Dodge Ram Mega
Cab, 2 steps per side

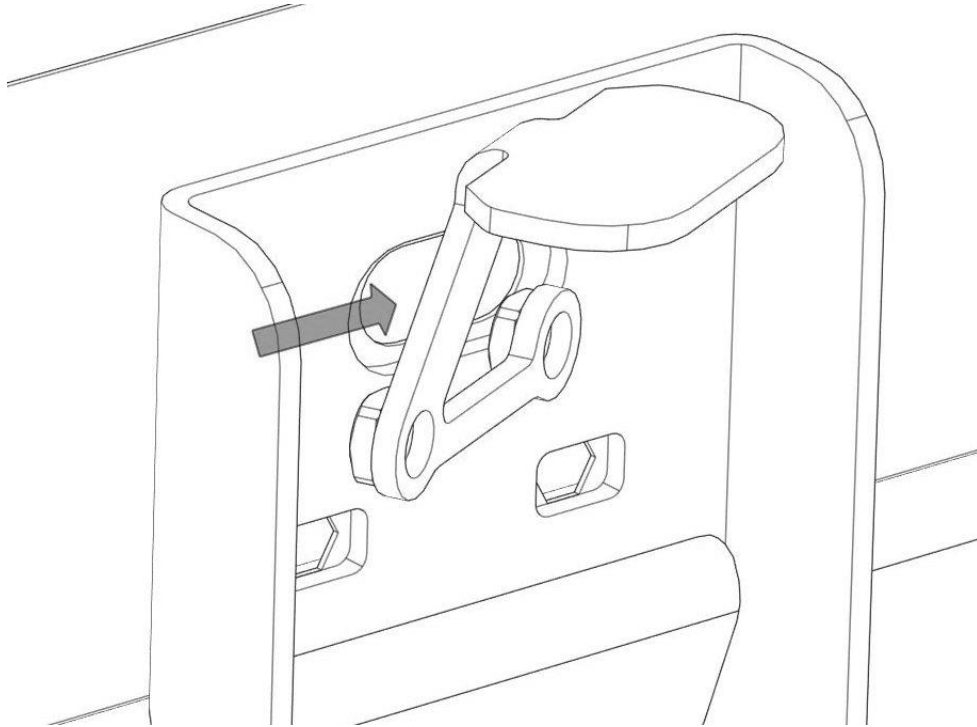


Figure 2 - INSTALLING THE FABFOURS Z-CLIP

3. With the Z-clip in place, thread the 5/16-18 bolt, flat washer and lock washer into the lower two mount points. Hardware sequence is shown in Figure 3. **Do not tighten!**

Installation Instructions

Dodge Ram Side Steps

Product Number: J1029

Application: 2010-2012 Dodge Ram Mega
Cab, 2 steps per side

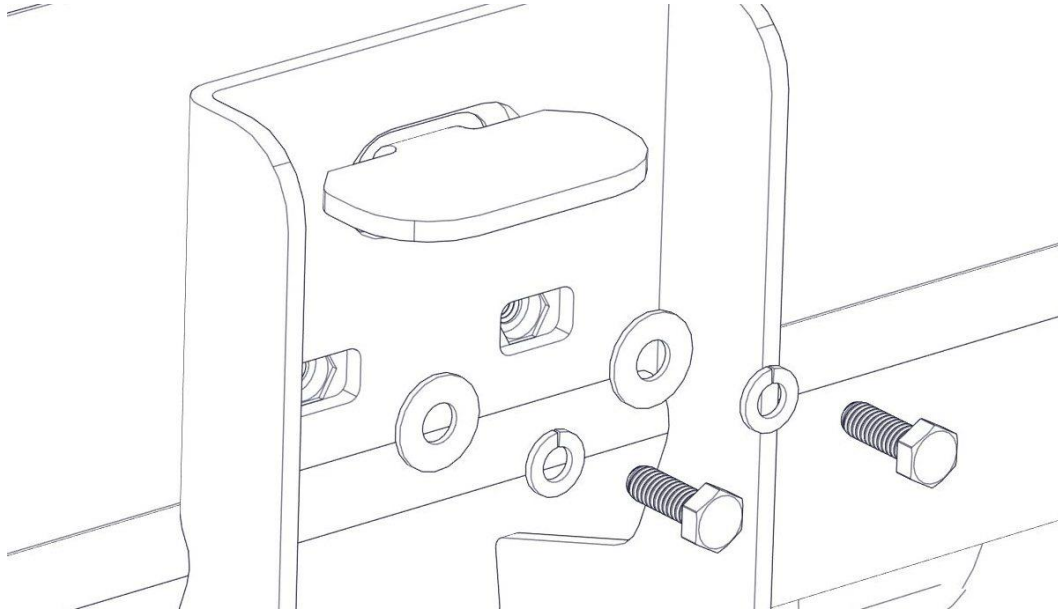


Figure 3 - ADDING THE HARDWARE TO THE FABFOURS Z-CLIP

4. Move to the rear mounting bracket, lift the FabFours Side Step into position and install the rear Z-clip, 5/16-18 bolt, flat washer and lock washer into the factory mount holes as shown in Figures 3 and 4. **Do not tighten!** At this time, the step is supported by the vehicle and ready for the remaining center hardware to be added.
5. On the middle bracket, add the center Z-clip and hardware. **Do not tighten!**
6. Once all fasteners have been loosely threaded into position, the step can be adjusted front or back as needed to best match your vehicle installation requirements.
7. With all hardware in place, the fasteners can be tightened with a 1/2" socket.

Installation Instructions

Dodge Ram Side Steps

Product Number: J1029

Application: 2010-2012 Dodge Ram Mega
Cab, 2 steps per side

8. Install End Caps (61367) on your driver side FabFours Side Step with the logo level to the ground. If needed, a rubber mallet can be used to fully seat the end caps into the FabFours Side Step tube as shown in Figure 4.

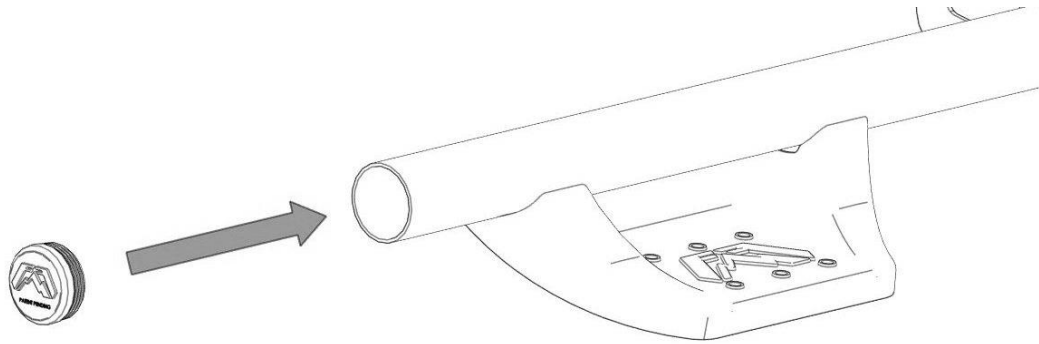


Figure 4 - INSTALLING THE FABFOURS SIDE STEP END CAPS

9. Congratulations, your new FabFours Side Step has been installed successfully on the driver side of your vehicle!

10. Identify the passenger side FabFours Side Step. The passenger side FabFours Side Step is shown below:

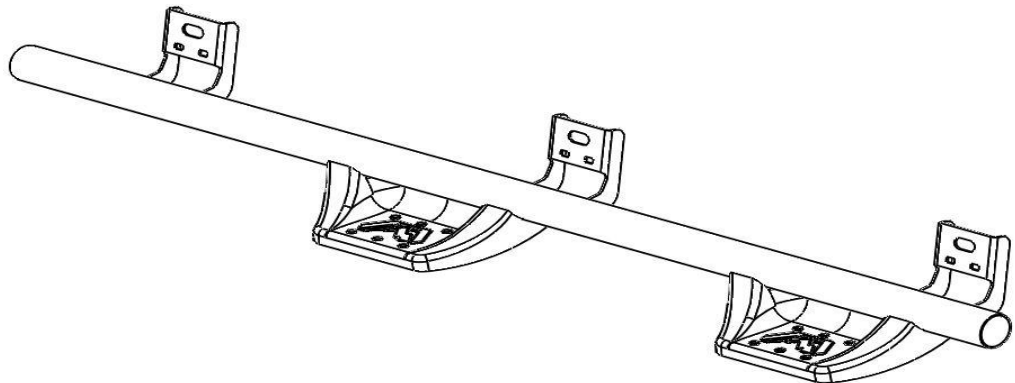


Figure 5 - PASSENGER SIDE FABFOURS SIDE STEP

11. Repeat steps 3) thru 8) above to install the passenger side FabFours Side Step.

12. Congratulations, your new FabFours Side Step has been installed successfully on the passenger side of your vehicle!

Installation Instructions

Dodge Ram Side Steps

Product Number: J1029

Application: 2010-2012 Dodge Ram Mega
Cab, 2 steps per side

VI. Maintenance/Care

- Periodically check and tighten all fasteners.
- Stripped, fractured, or bent bolts or nuts need to be replaced.
- After washing of the vehicle make sure to fully dry all surfaces



More than expected... Better than expected

Made in the U.S.A. !

Discover other running boards and step bars on our website.