



# Installation Instructions

## Headache Rack Modifier

Product Number: HRM01, HRM02, HRM03, HRM04

Application: FAB FOURS Headache Rack

## SAFETY

### Your safety and the safety of others is very important.

- In order to help you make informed decisions about safety, we have provided installation instructions and other information.
- These instructions alert you to potential hazards that could hurt you or others.
- Please do a job safety analysis (JSA) before each task to identify potential hazards for your situation and remove/protect against them.
- You must use your own good judgment, and take your time.

**Read and understand all safety precautions and instructions before installing this product.**

THIS PRODUCT IS FOR OFFROAD USE ONLY. ALL LIABILITY FOR INSTALLATION AND USE RESTS WITH THE OWNER.

**CARELESS INSTALLATION AND OPERATION CAN RESULT IN SERIOUS INJURY OR EQUIPMENT DAMAGE.**

## Injury hazard

### Failure to observe these instructions could lead to severe injury or death.

- Always** remove jewelry and wear eye protection.
- Always** use extreme caution when jacking up a vehicle for work. Set emergency brake and use tire blocks. Locate and use the vehicle manufacturers designated lifting points. Use jack stands.
- Always** use appropriate and adequate care in lifting components into place.
- Always** insure components will remain secure during installation and operation.
- Always** wear safety glasses when installing this kit. A drilling operation will cause flying metal chips. Flying chips can cause serious eye injury.
- Always** use extreme caution when drilling on a vehicle. Thoroughly inspect the area to be drilled (on both sides of material) prior to drilling, and relocate any objects that may be damaged.
- Always** use extreme caution when cutting and trimming during fitting.
- Always** tighten all nuts and bolts securely per installation instructions.
- Always** route electrical cables carefully. Avoid moving parts, components that become hot and rough or sharp edges.
- Always** insulate and protect all exposed wiring and electrical terminals.
- Always** perform regular inspections and maintenance on mounts and related hardware.



# Installation Instructions

## Headache Rack Modifier

Product Number: HRM01, HRM02, HRM03, HRM04

Application: FAB FOURS Headache Rack

### I. Overview

Congratulations on your new purchase of the industries' best and most stylish Headache Rack available for the 1994-2002 Dodge Ram truck! This Rack has been **engineered** for strength.

Your bumper was designed in 3-D from digitized data, CNC laser cut, fabricated, and powder coated... all in the U.S.A.

Enjoy the fit and finish of a quality Headache Rack from Fab Fours Inc.





# Installation Instructions

## Headache Rack Modifier

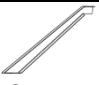



Product Number: HRM01, HRM02, HRM03, HRM04

Application: FAB FOURS Headache Rack

### II. Tools Required

- 1/2" Wrenches
- 7/16", 1/2" Sockets and Drivers
- 1/4" Drill Bit

### III. Kit Contents

	QTY	DESCRIPTION	FAB FOURS PART NUMBER
	x 1	HRM Driver Side	-
	x 1	HRM Passenger Side	-
	x 1	HR2100 Hardware Kit	50025-HW
	x 1	HRM Instruction Manual	HRM-Rev. A



## Installation Instructions

### Headache Rack Modifier

Product Number: HRM01, HRM02, HRM03, HRM04

Application: FAB FOURS Headache Rack

#### IV. Installation

**A. Install the modifier to the bed as shown below. Insert the 5/16 bolts inside holes in the top of the headache rack, leaving bolts loose to adjust bottom off modifier.**

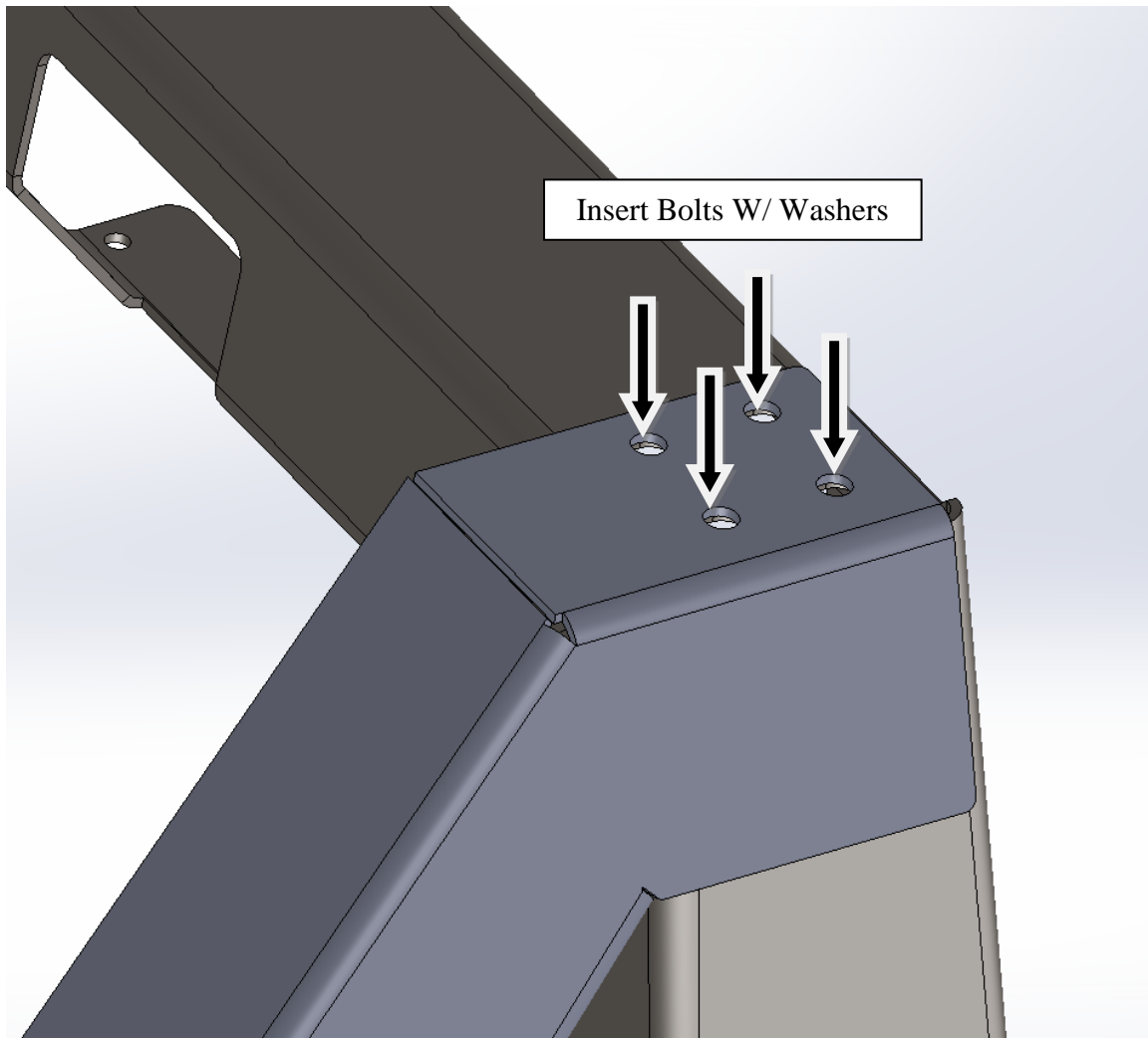


Figure 1

**Complete Steps A for Both Sides, taking care to have modifiers sit evenly before drilling**



## Installation Instructions

### Headache Rack Modifier

Product Number: HRM01, HRM02, HRM03, HRM04

Application: FAB FOURS Headache Rack

***B. With Headache Rack Modifier positioned in preferred mounting locations, choose hole drill locations that are staggered in slots. With modifier in place, mark hole locations. Then removing the modifier, drill holes into the top of the bed rail using a 3/16" drill bit. Replace modifier and install using two of the supplied No. 17 sheet metal screws with a 3/8" socket. Complete for Both Sides (ref. 2a-c).***

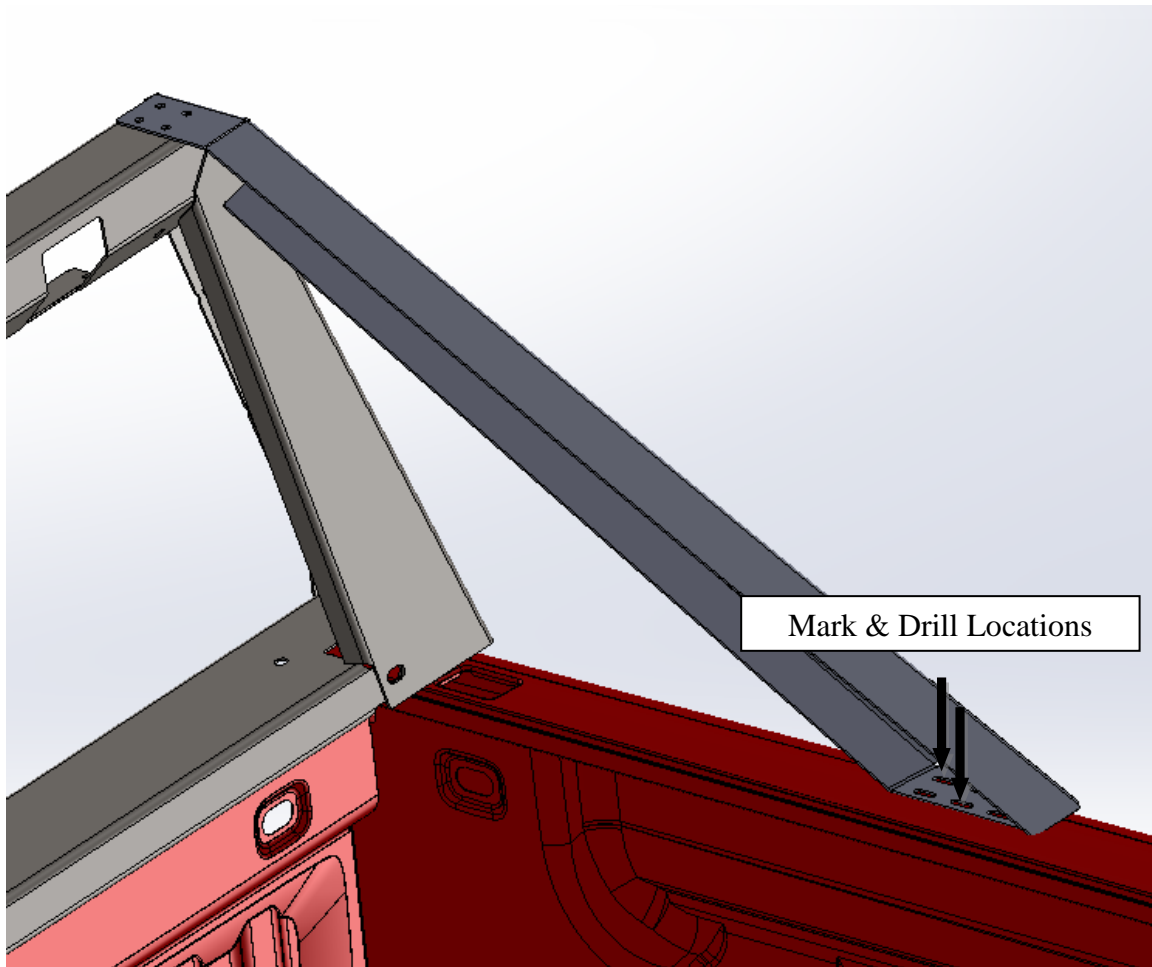


Figure 2a



# Installation Instructions

## Headache Rack Modifier

Product Number: HRM01, HRM02, HRM03, HRM04

Application: FAB FOURS Headache Rack



Figure 2b



Figure 2c



## Installation Instructions

### Headache Rack Modifier

Product Number: HRM01, HRM02, HRM03, HRM04

Application: FAB FOURS Headache Rack

***C. With bottom of modifier firmly secured, tighten down 5/16" bolts at top of modifier using a 1/2" wrench and socket.***



Figure 3

## V. Maintenance/Care

- Periodically check and tighten all nuts.
- Stripped, fractured, or bent bolts or nuts need to be replaced.