



Installation Instructions

BS/BSE Front Bumper

Product Number: K3960, K9261, K3962, R3960, R3961, R3962

Application: 2016 GMC 1500

I. Overview

Congratulations on your new purchase of the industries' best and most stylish front bumper available for the 2016 GMC 1500! This bumper has been engineered for strength while keeping the weight down.

Your front bumper designed in 3-D from digitized data, CNC laser cut, fabricated, and powder coated... all in the U.S.A.

Enjoy the fit and finish of a quality 2016+ GMC 1500 Front Bumper from Fab Fours!





Installation Instructions

BS/BSE Front Bumper

Product Number: K3960, K9261, K3962, R3960, R3961, R3962

Application: 2016 GMC 1500

Parts List

- K/R396X replacement bumper
- Brackets
- K186X-HW Kit
- Instruction Manual

Tools Required

- Socket Wrench with Extension (Ratcheting wrenches may also be convenient)
- 7mm , 15mm , 18mm, 19mm, 3/4" Sockets and Box End Wrenches
- T15 torx
- Flat Head Screw Drivers
- Floor Jack and wood block.
- Panel clip removal tool ('Christmas tree fastener removal tool')

II. Removal of OEM Bumper

Note: Save all OEM parts until installation is complete!

- A. Open hood and locate push pins on radiator cover. Using a panel clip removal tool, pull the head of the push pins up, remove push pin and lift radiator cover off. This will allow access to top grille bolts. (Ref. Figure 1).



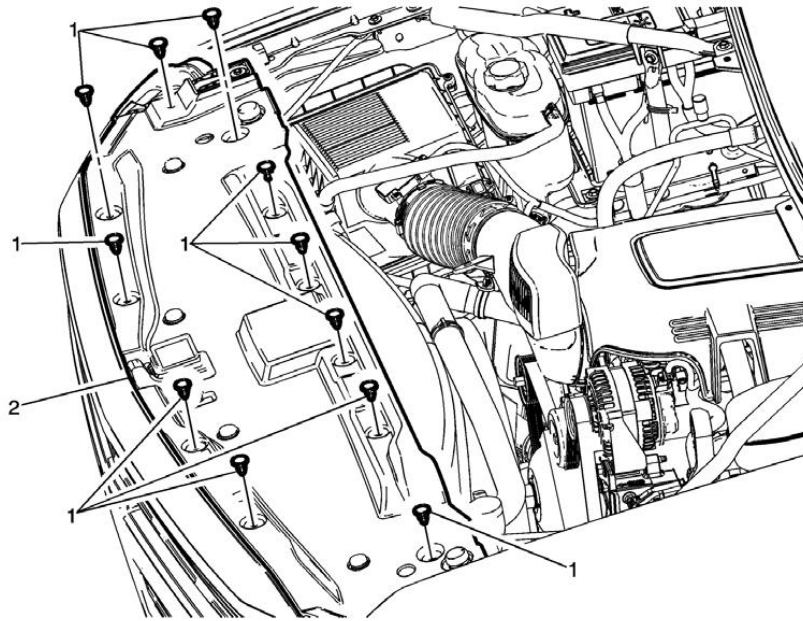


Figure 1

- B. Remove 6 bolts holding front wheel molding.**

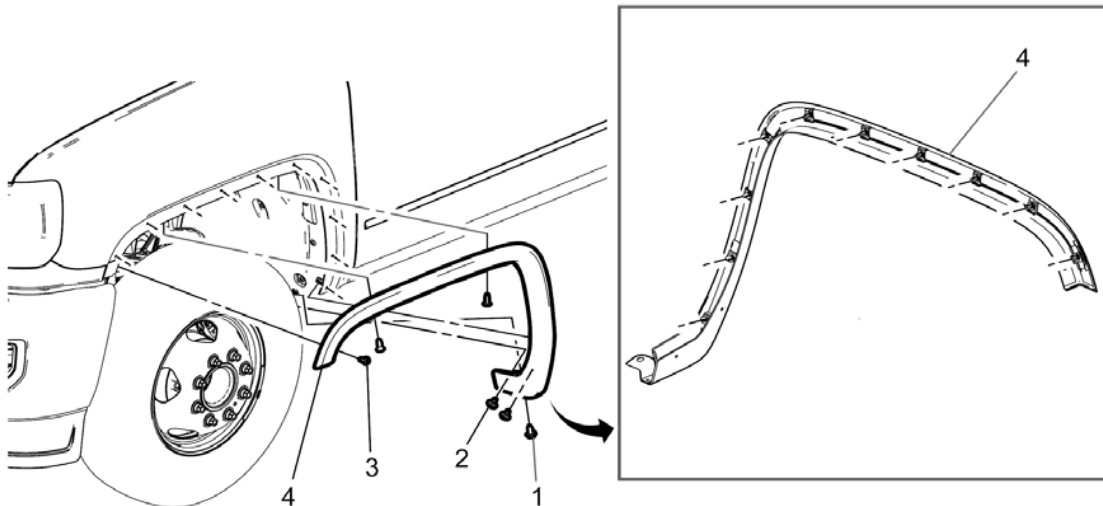


Figure 2

- C. Remove Front Bumper Fascia Trim Cap Bolts (indicated in Figure 3 callout 1) and then using a pick free front fascia (indicated in Figure 3 callout 2) and pull back wheel liner.**

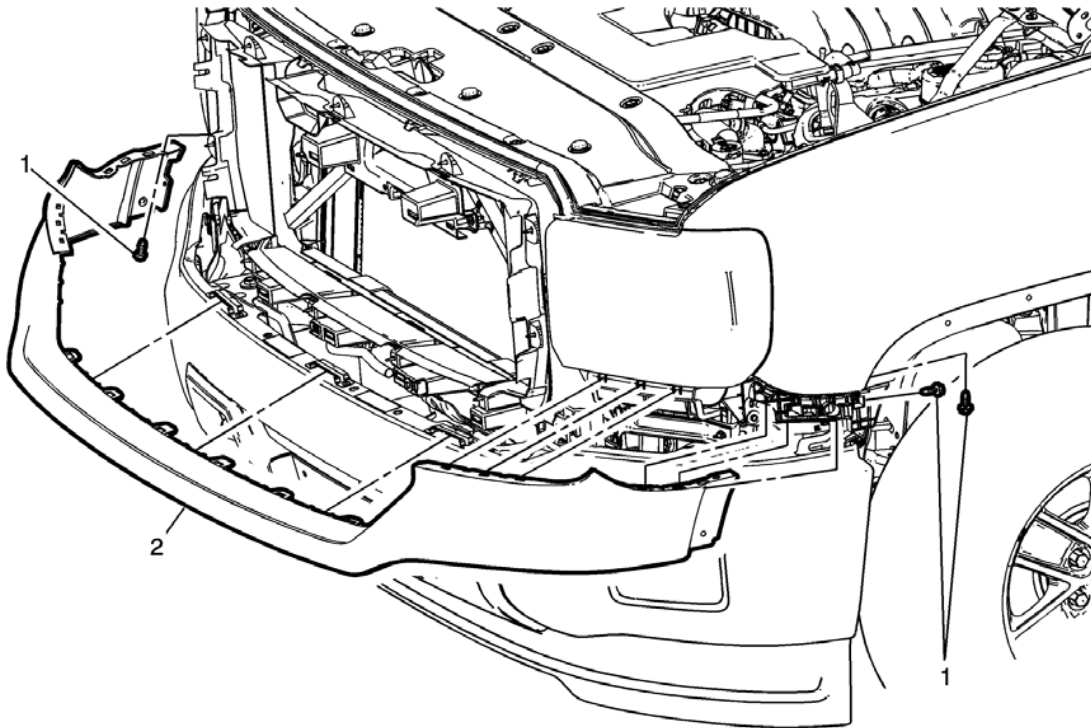


Figure 3

- D. Remove the fasteners connecting the grille to the frame. 8x15mm bolts, indicated by callouts 1. At this point 8 clips are holding the grille in place. Starting around either end of the grille carefully pull grille away from truck (Ref. Figure 4).**
- E. *Remove bumper support bar (ref 3a-c). Using 18mm socket remove the single bolt connecting bar to bumper and 15mm socket to remove 2 bolts connecting bar to frame. Remove the fasteners connecting the bumper to the bracket. Using a 18mm socket/wrench remove bolts from the top and bottom of bracket connected to the bumper (ref 3c). Pull bumper away from vehicle. Using 22mm socket remove forward facing bolts holding bracket to frame. Repeat process on each side of vehicle.***

**Installation Instructions
BS/BSE Front Bumper**

Product Number: K3960, K9261, K3962, R3960, R3961, R3962
Application: 2016 GMC 1500



Figure 3a



Figure 3b



Figure 3c

- F. Remove bolts securing tow hooks to frame. Location is indicated in image below by green rectangle (Ref. 4b).



Figure 4a

Figure 4b

- G. Remove OEM electrical harness from bumper. Disconnect harness from fog lights and sensors. Pop out plastic clips holding harness to bumper on both sides and carefully pull away.



Installation Instructions

BS/BSE Front Bumper

Product Number: K3960, K9261, K3962, R3960, R3961, R3962

Application: 2016 GMC 1500

III. Pre-Installation

**NOTE: The Following Installation steps apply to the installation of the Front Bumper.
PLEASE READ THE ENTIRE MANUAL BEFORE ATEMPTING INSTALLATION!
Ignoring these steps will increase your probability of scratching the vehicle during product
Installation!**

- **Optional:** If installing winch tray, winch, and roller fairlead into bumper, do it at this time. Follow the winch manufacturer's instructions for installation.

If not installing a winch, a license plate may be installed onto the front face of the bumper.

If you have fog lights, install them now.



IV. Front Bumper Installation

- A. Mount bracket to truck frame. Three bolts pass through the front of the frame and are indicated by the red boxes. One bolt passes through the side of the frame (i.e. cross bolt) and is indicated by the blue circles. All bolts should be hand tight to allow for adjustment.



- B. **Mount bracket to bumper. With the help of at least two others, and possibly a floor jack, to support the center of the bumper, lift the Fab Fours bumper into place (Ref 13a). Do Not Fully Tighten, Hand Tighten Only!**



- C. **Align the bumper side to side and top to bottom to ensure a perfect fit to the truck. Allow 0.375" of clearance to all painted surfaces if possible. This is to allow for frame flex!**
- D. **Fully tighten all fasteners between bumper and brackets as well as brackets and frame.**

Note: Do Not Over Tighten "Cross Bolt". Frame Should Not Compress!

- E. **Enjoy your New Replacement Bumper from Fab Fours!**



Installation Instructions

BS/BSE Front Bumper

Product Number: K3960, K9261, K3962, R3960, R3961, R3962

Application: 2016 GMC 1500

V. Maintenance/Care

- Periodically check and tighten all fasteners.
- Stripped, fractured, or bent bolts or nuts need to be replaced.
- After washing of the vehicle make sure to fully dry all surfaces



More than expected... Better than expected

