



# Installation Instructions

## 2016 Chevy/GMC Winch Mount

Product Number: N3350, N3370  
Application: '16 Chevy/GMC 1500

## SAFETY

### Your safety and the safety of others is very important.

- In order to help you make informed decisions about safety, we have provided installation instructions and other information.
- These instructions alert you to potential hazards that could hurt you or others.
- Please do a job safety analysis (JSA) before each task to identify potential hazards for your situation and remove/protect against them.
- You must use your own good judgment, and take your time.

**Read and understand all safety precautions and instructions before installing this product.**

THIS PRODUCT IS FOR OFFROAD USE ONLY. ALL LIABILITY FOR INSTALLATION AND USE RESTS WITH THE OWNER.

**CARELESS INSTALLATION AND OPERATION CAN RESULT IN SERIOUS INJURY OR EQUIPMENT DAMAGE.**

## Injury hazard

### Failure to observe these instructions could lead to severe injury or death.

- Always** remove jewelry and wear eye protection.
- Always** use extreme caution when jacking up a vehicle for work. Set emergency brake and use tire blocks. Locate and use the vehicle manufacturers designated lifting points. Use jack stands.
- Always** use appropriate and adequate care in lifting components into place.
- Always** insure components will remain secure during installation and operation.
- Always** wear safety glasses when installing this kit. A drilling operation will cause flying metal chips. Flying chips can cause serious eye injury.
- Always** use extreme caution when drilling on a vehicle. Thoroughly inspect the area to be drilled (on both sides of material) prior to drilling, and relocate any objects that may be damaged.
- Always** use extreme caution when cutting and trimming during fitting.
- Always** tighten all nuts and bolts securely per installation instructions.
- Always** route electrical cables carefully. Avoid moving parts, components that become hot and rough or sharp edges.
- Always** insulate and protect all exposed wiring and electrical terminals.
- Always** perform regular inspections and maintenance on mounts and related hardware.



## Installation Instructions

### 2016 Chevy/GMC Winch Mount

Product Number: N3350, N3370

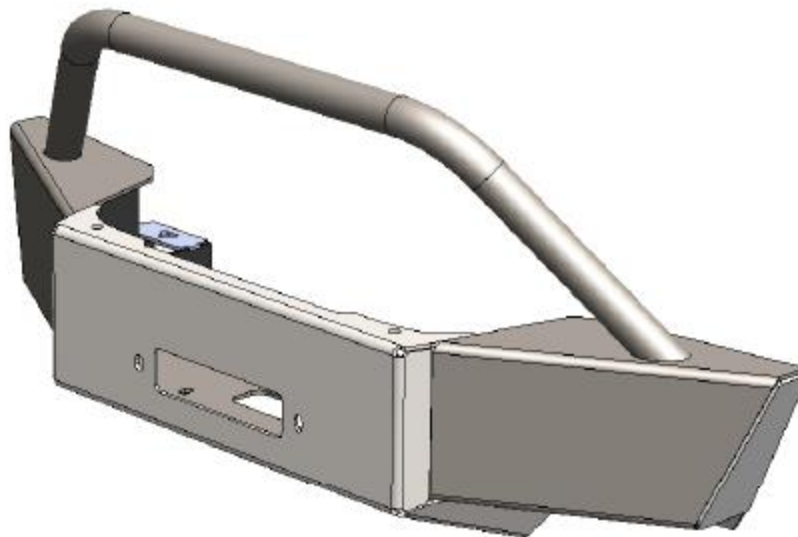
Application: '16 Chevy/GMC 1500

#### I. Overview

Congratulations on your new purchase of the industries' best and most stylish winch mount available for the '16 Chevy and GMC 1500! This winch mount has been **engineered** for strength.

Your winch mount is designed in 3-D from digitized data, CNC laser cut, fabricated, and powder coated...all in the U.S.A.

Enjoy the fit and finish of a quality Chevy & GMC 1500 Winch Mount from Fab Fours Inc.





# Installation Instructions

## 2016 Chevy/GMC Winch Mount






Product Number: N3350, N3370

Application: '16 Chevy/GMC 1500

### II. Tools Required

- 7mm , 15mm , 18mm, 3/4" Sockets and Box End Wrenches
- T15 torx
- Flat Head Screw Drivers
- Floor Jack and wood block.
- Socket Wrench with Extension (Ratcheting wrenches may also be convenient)

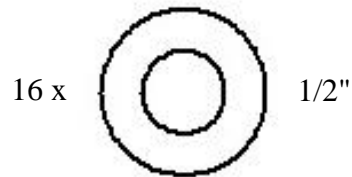
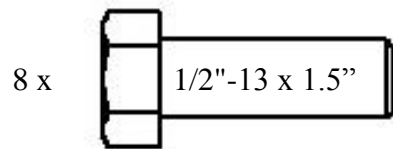
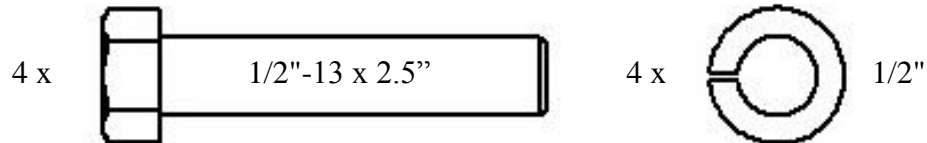
### III. Kit Contents

| QTY   | DESCRIPTION              | FAB FOURS PART NUMBER |
|---|--------------------------|-----------------------|
|  x 1  | N3350 Winch Mount        | N3350                 |
|  x 2 | Tow Hook                 | 61366                 |
|  x 2 | Heavy Washer             | 20184-13              |
|  x 1 | N3350 Hardware Kit       | 50060-HW              |
|  x 1 | N3350 Instruction Manual | N3350-IM              |
|  X2  | N3150 Mounting Brackets  | 21113/4               |



**Installation Instructions**  
**2016 Chevy/GMC Winch Mount**  
Product Number: N3350, N3370  
Application: '16 Chevy/GMC 1500

**IV. Included Hardware**





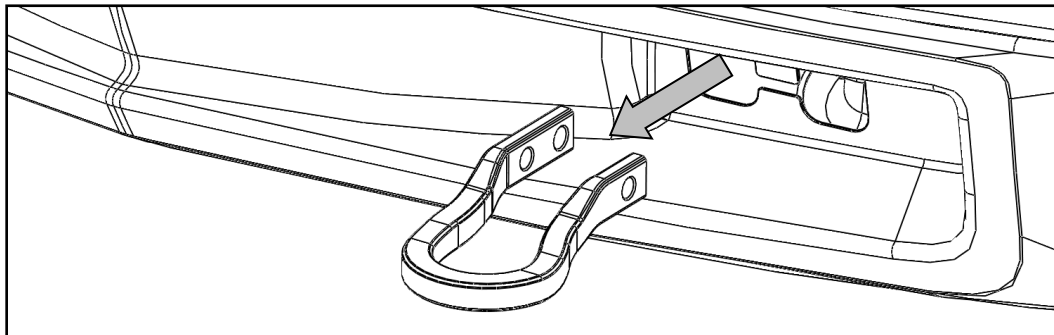
**Installation Instructions**  
**2016 Chevy/GMC Winch Mount**  
Product Number: N3350, N3370  
Application: '16 Chevy/GMC 1500

## V. Removal of Factory Tow Hooks

*There are two methods for removing the factory tow hooks, depending on preference and truck specific clearance. The first method leaves the OEM bumper in place (Ref. V). The second method requires the removal and replacement of the OEM bumper (Ref. VI).*

**A.** *Using an 18mm Wrench, remove the rear bolt and the nut of the front thru bolt (Ref Figure 6a & 6b). If the front bolt cannot clear the bumper support frame use a cutting tool to cut the bolt as necessary to remove.*

**B.** *Remove the factory tow hooks, pulling them forward through the bumper.*



**Factory tow hook removal**



**Installation Instructions**  
**2016 Chevy/GMC Winch Mount**  
Product Number: N3350, N3370  
Application: '16 Chevy/GMC 1500

**VI. Removal of OEM Bumper**

**Note: Save all OEM parts until installation is complete!**

- A. Open hood and locate push pins on radiator cover. Using a panel clip removal tool, pull the head of the push pins up, remove push pin and lift radiator cover off. This will allow access to top grille bolts. (Ref. Figure 1).

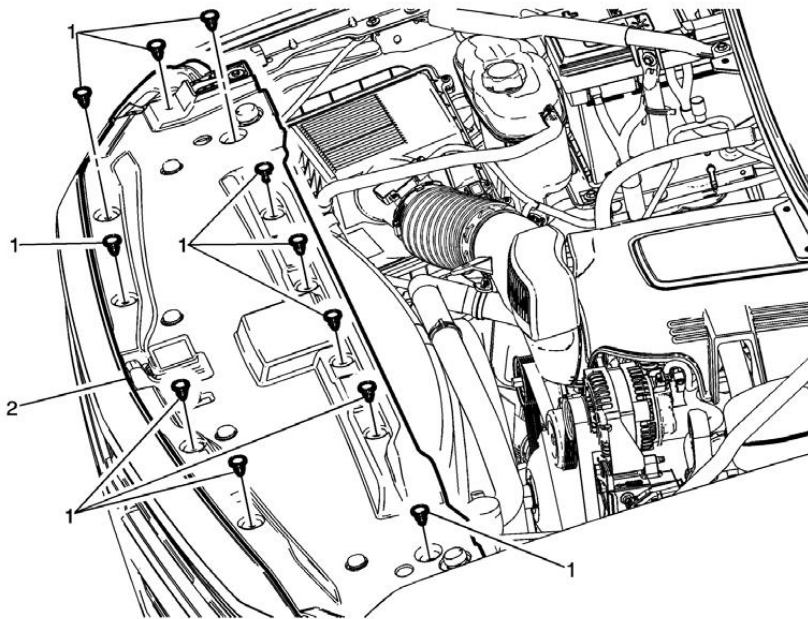


Figure 1



**Installation Instructions**  
**2016 Chevy/GMC Winch Mount**  
Product Number: N3350, N3370  
Application: '16 Chevy/GMC 1500

**B. Remove 6 bolts holding front wheel molding.**

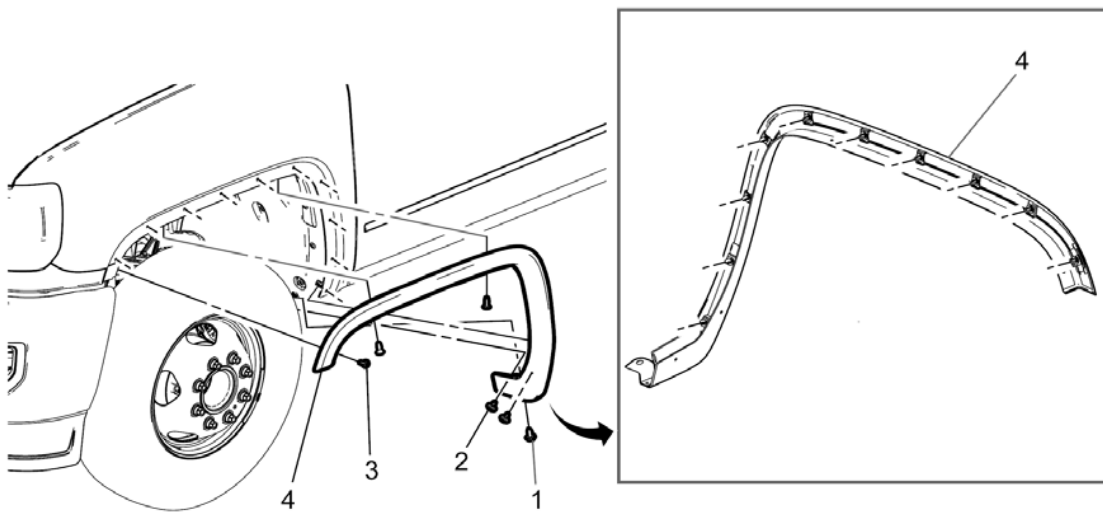


Figure 2



# Installation Instructions

## 2016 Chevy/GMC Winch Mount

Product Number: N3350, N3370  
Application: '16 Chevy/GMC 1500

- C. Remove Front Bumper Fascia Trim Cap Bolts (indicated in Figure 3 callout 1) and then using a pick free front fascia (indicated in Figure 3 callout 2) and pull back wheel liner.

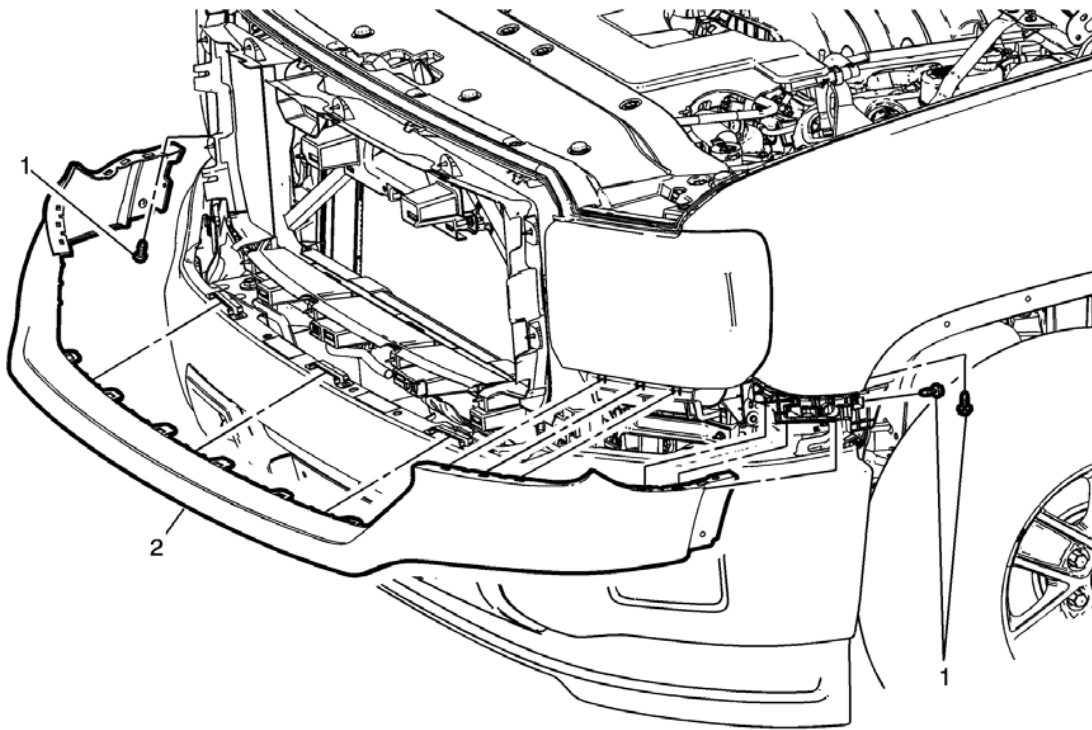


Figure 3





## Installation Instructions

### 2016 Chevy/GMC Winch Mount

Product Number: N3350, N3370

Application: '16 Chevy/GMC 1500

- D. Remove the fasteners connecting the grille to the frame. 8x15mm bolts, indicated by callouts 1. At this point 8 clips are holding the grille in place. Starting around either end of the grille carefully pull grille away from truck (Ref. Figure 4).

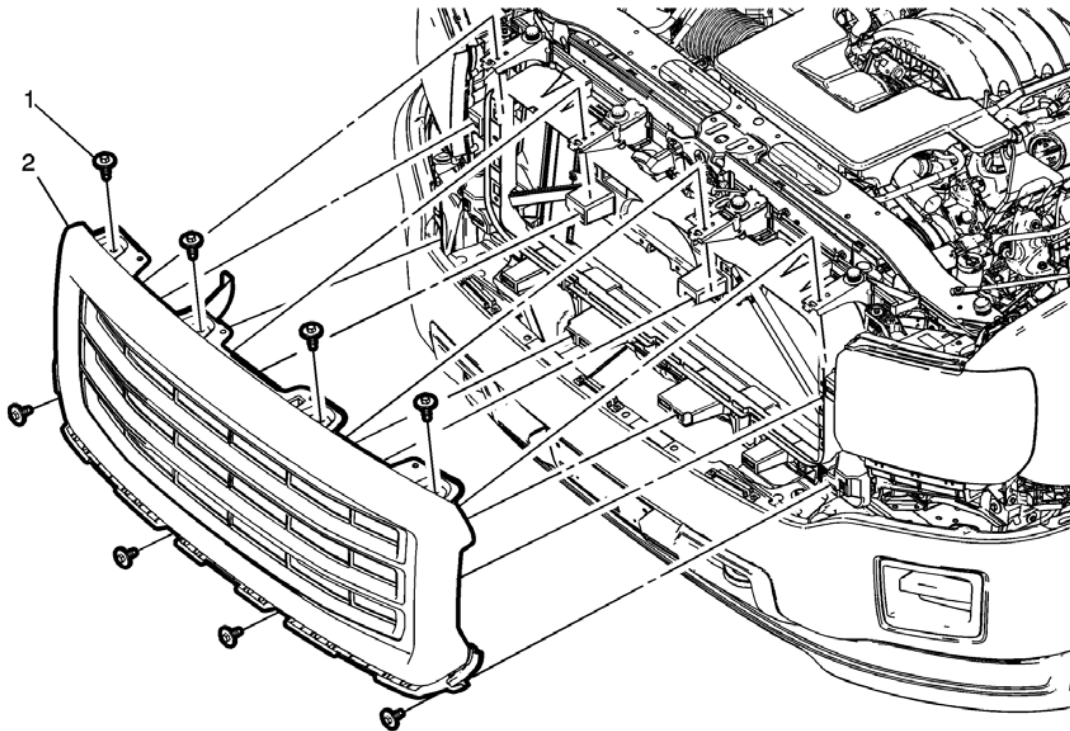


Figure 4



## Installation Instructions

### 2016 Chevy/GMC Winch Mount

Product Number: N3350, N3370

Application: '16 Chevy/GMC 1500

- E. Remove bumper support bar (ref 5a-c). Using 18mm socket remove the single bolt connecting bar to bumper and 15mm socket to remove 2 bolts connecting bar to frame. Remove the fasteners connecting the bumper to the bracket. Using a 18mm socket/wrench remove bolts from the top and bottom of bracket connected to the bumper (ref 3c). Pull bumper away from vehicle. Using 22mm socket remove forward facing bolts holding bracket to frame. Repeat process on each side of vehicle.



Figure 5a



# Installation Instructions

## 2016 Chevy/GMC Winch Mount

Product Number: N3350, N3370  
Application: '16 Chevy/GMC 1500



Figure 5b



Figure 5c



# Installation Instructions

## 2016 Chevy/GMC Winch Mount

Product Number: N3350, N3370  
Application: '16 Chevy/GMC 1500

- F. Remove bolts securing tow hooks to frame. Location is indicated in image below by green rectangle (Ref. 4b).



Figure 4a

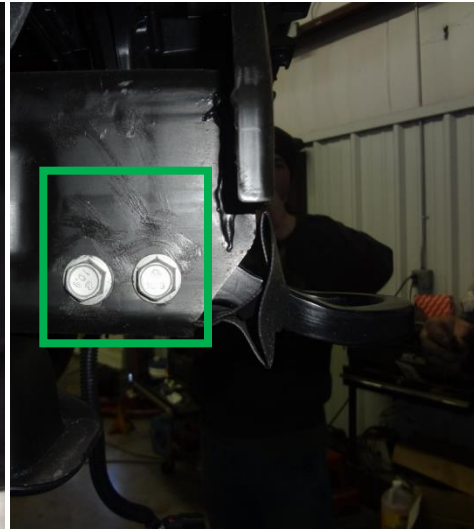


Figure 4b

- G. Replace valence, grille, and OEM bumper by reversing the order of Removal steps A through F.



## Installation Instructions

### 2016 Chevy/GMC Winch Mount

Product Number: N3350, N3370

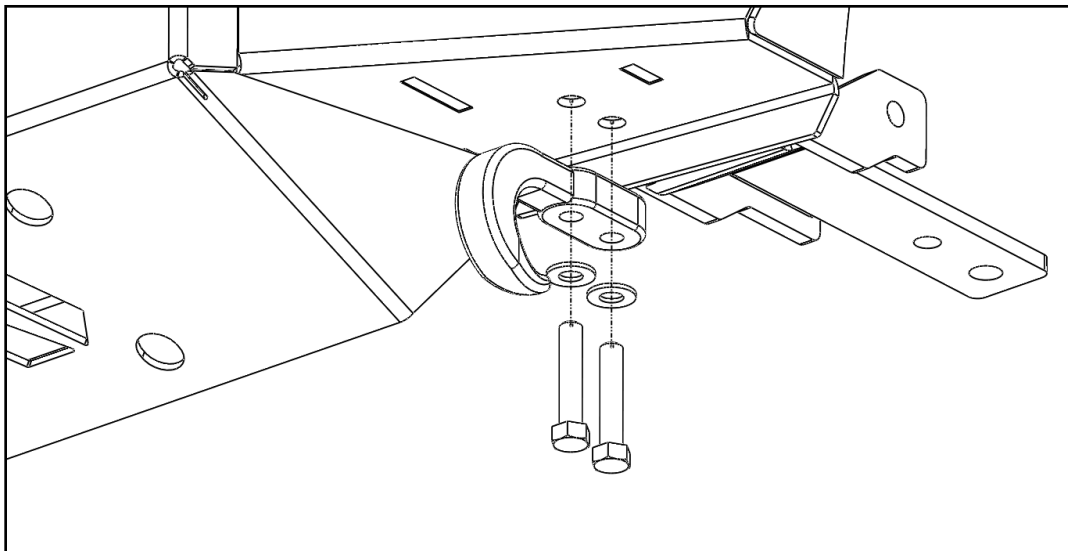
Application: '16 Chevy/GMC 1500

## VII. Installation Instructions

**A. Insert mounting bracket through tow hook holes in bumper and into frame. Align bracket and frame holes and screw in 1/2"-13 x 1.5" bolts in front holes on each side of frame, leaving either side loose until both sides have been threaded. Using one 1/2"-13 x 1.5" bolt and a 'heavy washer' screw in through hole located at the bottom of the frame. Tighten all bolts and repeat on both sides.**

**B. At this point it is recommended to install the winch into the mount, following winch manufacturer's installation instructions.**

**C. With the help of another person and a jack for support raise the winch mount into place and align the mounting bracket holes with winch mount slots. Insert 2.5" bolts through tow hooks into mounting brackets. Fully tighten all bolts after centering winch mount.**



*Figure 7 (Tow hook installation, bottom fasteners)*



**Installation Instructions**  
**2016 Chevy/GMC Winch Mount**  
Product Number: N3350, N3370  
Application: '16 Chevy/GMC 1500

**VIII. Maintenance/Care**

- Periodically check and tighten all fasteners
- Stripped, fractured, or bent bolts or nuts need to be replaced
- After washing of the vehicle make sure to fully dry all surfaces



**More than expected... Better than expected**