



# Installation Instructions

## GMC Replacement Bumper

Product Number: S2850  
Application: '11+ GMC 2500-3500 HD

## SAFETY

### Your safety and the safety of others is very important.

- In order to help you make informed decisions about safety, we have provided installation instructions and other information.
- These instructions alert you to potential hazards that could hurt you or others.
- Please do a job safety analysis (JSA) before each task to identify potential hazards for your situation and remove/protect against them.
- You must use your own good judgment, and take your time.

**Read and understand all safety precautions and instructions before installing this product.**

THIS PRODUCT IS FOR OFFROAD USE ONLY. ALL LIABILITY FOR INSTALLATION AND USE RESTS WITH THE OWNER.

**CARELESS INSTALLATION AND OPERATION CAN RESULT IN SERIOUS INJURY OR EQUIPMENT DAMAGE.**

## Injury hazard

### Failure to observe these instructions could lead to severe injury or death.

- Always** remove jewelry and wear eye protection.
- Always** use extreme caution when jacking up a vehicle for work. Set emergency brake and use tire blocks. Locate and use the vehicle manufacturers designated lifting points. Use jack stands.
- Always** use appropriate and adequate care in lifting components into place.
- Always** insure components will remain secure during installation and operation.
- Always** wear safety glasses when installing this kit. A drilling operation will cause flying metal chips. Flying chips can cause serious eye injury.
- Always** use extreme caution when drilling on a vehicle. Thoroughly inspect the area to be drilled (on both sides of material) prior to drilling, and relocate any objects that may be damaged.
- Always** use extreme caution when cutting and trimming during fitting.
- Always** tighten all nuts and bolts securely per installation instructions.
- Always** route electrical cables carefully. Avoid moving parts, components that become hot and rough or sharp edges.
- Always** insulate and protect all exposed wiring and electrical terminals.
- Always** perform regular inspections and maintenance on mounts and related hardware.



# Installation Instructions GMC Replacement Bumper

Product Number: S2850

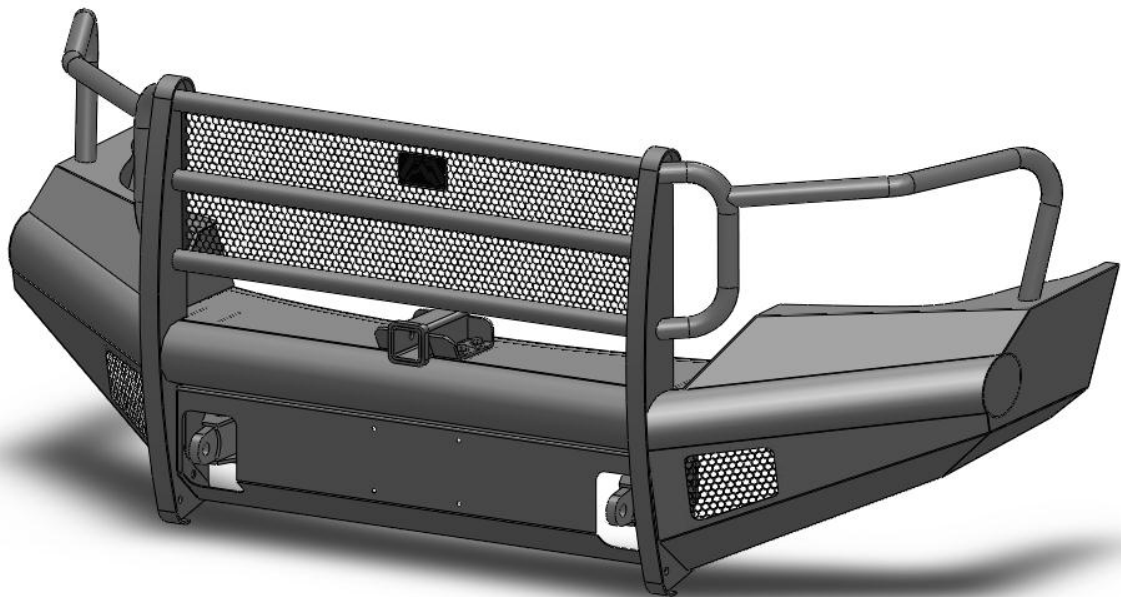
Application: '11+ GMC 2500-3500 HD

## I. Overview

Congratulations on your purchase of the industries' best and most stylish GMC Replacement Bumper! This bumper has been **engineered** for strength while keeping the weight down.

Your bumper was designed in 3-D from digitized data, CNC laser cut, fabricated, and powder coated... all in the U.S.A.

Enjoy the fit and finish of a quality GMC Replacement Bumper from Fab Fours Inc!





# Installation Instructions GMC Replacement Bumper

Product Number: S2850

Application: '11+ GMC 2500-3500 HD

## II. Tools Required

- Socket Wrench With Extensions
- 10mm Socket
- 15mm Socket
- 18mm Socket
- 21mm Deep Socket
- 7/32" Socket
- 3/4" Socket
- 18mm Open End Wrench
- 3/4" Open End Wrench
- Phillips Screwdriver
- Hammer

## III. Vehicle Preparation

1. Take off lower fender cover by removing two screws and two nuts per side (second nut not pictured) with a 10mm socket.

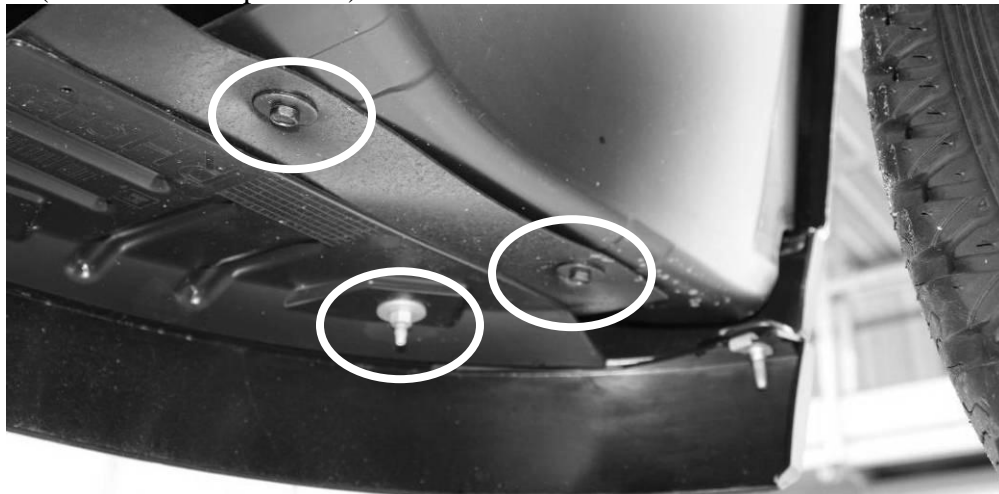


Figure 1 - Screw Locations

2. Reaching from the bottom of the bumper, remove the two screws per side connecting the plastic bumper valance to the sheet metal fender with a 10mm socket and extensions. It may be helpful to loosen the inner fender mounting screws to allow better access.



## Installation Instructions GMC Replacement Bumper

Product Number: S2850

Application: '11+ GMC 2500-3500 HD

3. Remove the two screws per side in the fender well holding the bumper valance to the mounting bracket with a 7mm socket.



Figure 2 - Screw locations

4. Starting at the fender, carefully pull the valance outward working it around to the center of the truck.



Figure 3 - Valance Removal

5. With the bumper valance removed, unclip the splash mat from the from the three plastic push fasteners attaching it to the body.
6. Disconnect the wiring harness from both OEM fog lights

7. Remove the two screws connecting the outer bumper support bar to the body mount bracket (15mm). Loosen the screw connecting the outer bumper support bar to the bumper (15mm), allowing it to rotate downward



Figure 4 – Outer Bumper Support Screws

8. Remove the two fasteners per tow hook (18mm) and pull tow hook out from the front of the truck.
9. Remove the two main bumper bracket nuts per side. DO NOT REMOVE THE BOLT STRIPS WITHOUT SUPPORTING THE BUMPER.

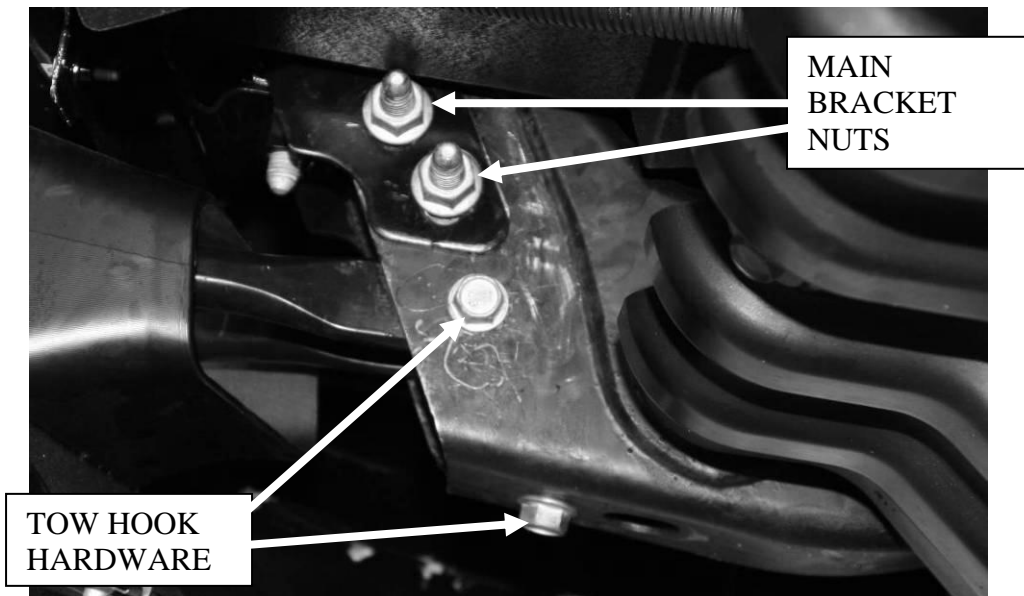


Figure 5 - Tow Hook and Main Bracket Hardware

10. With the weight of the bumper supported, remove the stud plates and pull the bumper forward away from the truck.

11. Remove the remaining plastic support brackets for the bumper valance using a 10mm socket



**Figure 6 - Support Bracket Removal**

12. The truck is now ready for Fab Fours bumper installation



**Figure 7 - Disassembly Complete**



## Installation Instructions GMC Replacement Bumper

Product Number: S2850

Application: '11+ GMC 2500-3500 HD

### IV. Bumper Installation

**NOTE:** The Following Installation steps apply to the installation of the Bumper to the vehicle. **PLEASE READ THE ENTIRE MANUAL BEFORE ATTEMPTING INSTALLATION!** Ignoring these steps will increase your probability of scratching the vehicle during product Installation!

1. Remove the Bumper from the shipping carton. Lay all items out on a blanket to prevent damage to the powder coating. Install lower guard (**IF INSTALLING A WINCH SEE WINCH TRAY INSTALLATION INSTRUCTIONS**) by rotating it into position from the bottom of the bumper as shown below. Install three ½" fasteners (Provided in hardware bag labeled 20260-HW) per side with bolt heads facing the inside of the bumper.

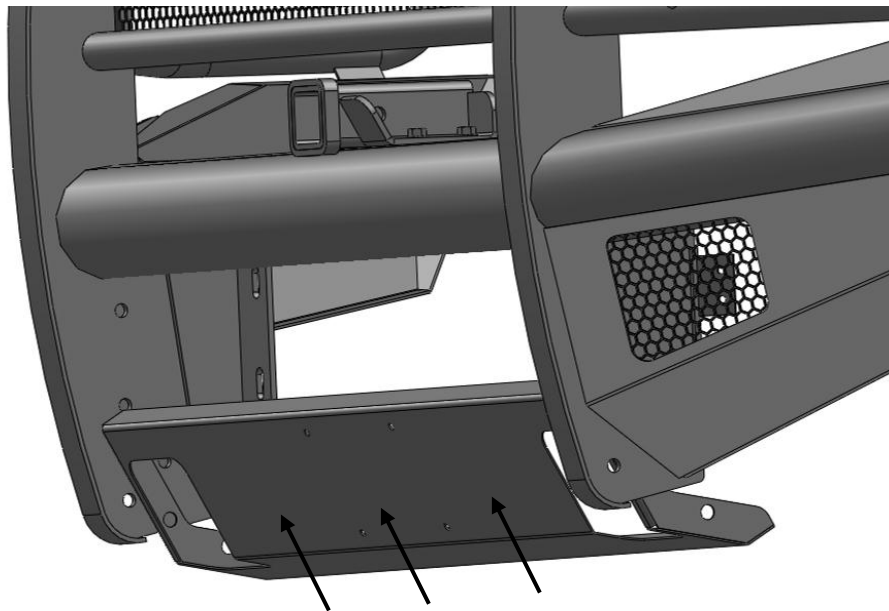


Figure 8 - Lower Guard Installation

2. **OPTIONAL:** If you wish to retain the stock fog lamps, remove the lights from the stock bumper and reinstall using OEM hardware in the provided brackets behind the protective mesh. It may be necessary to remove the adjuster screw prior to installation. With the fog light clipped in the bracket, reinstall the adjuster screw to clamp the light in place.



## Installation Instructions GMC Replacement Bumper

Product Number: S2850

Application: '11+ GMC 2500-3500 HD

- 3. OPTIONAL:** If installing your bumper with D-ring shackle mounts, they should be placed inside the bumper mounting brackets before final installation. Insert the shackle mounts from the front of the bumper as shown below.

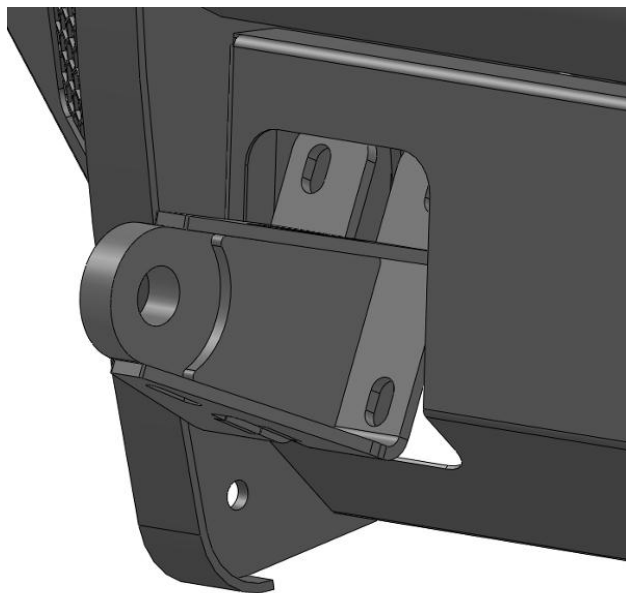


Figure 9 - Shackle Bracket Installation

- 4. OPTIONAL:** If installing the 2" receiver hitch accessory, attach it to the bumper with the provided 1/2" hardware

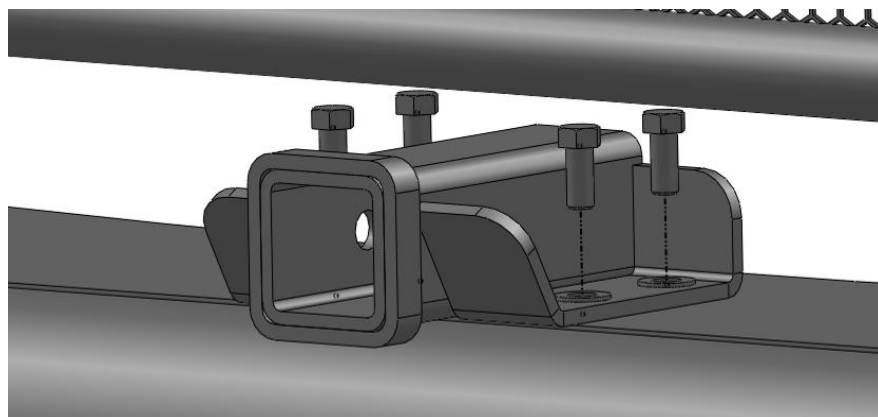


Figure 10 - Hitch Installation





## Installation Instructions GMC Replacement Bumper

Product Number: S2850

Application: '11+ GMC 2500-3500 HD

5. Install intermediate brackets in the orientation shown below (larger offset to the outside of the truck) using the OEM mount locations. Stud plates should point toward the inside of the truck for ease of tightening. Install supplied  $\frac{1}{2}$ " bolts in the tow hook mounting holes. **DO NOT TIGHTEN UNTIL BUMPER ASSEMBLY HAS BEEN INSTALLED AND ALIGNED.**



**Figure 11 - Intermediate Bracket Orientation**

6. Lift bumper and align mounting slots with the mating slots on the intermediate mounts. Install  $\frac{1}{2}$ " mounting bolts but do not tighten fully. Repeat for other side. It may be helpful to support bumper with a floor jack(s) during install.
7. Adjust the bumper to achieve good visual alignment. Adjust and up/down and left/right alignment with the mount-to-bumper bolts. Adjust in/out alignment with mount to frame bolts.
8. Tighten all fasteners; beginning with frame mounts. Then tighten all mount-to-bumper fasteners.
9. Trim inner-fender liners to match bumper if desired.

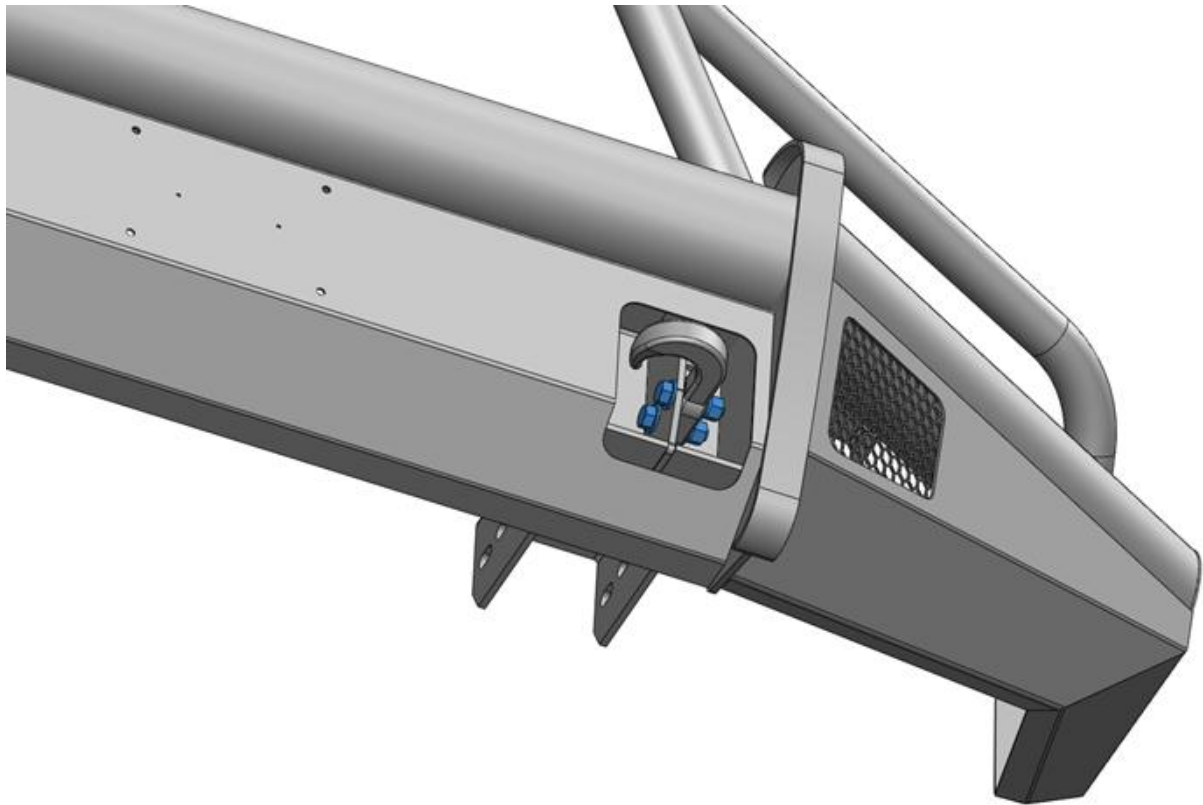


## Installation Instructions GMC Replacement Bumper

Product Number: S2850

Application: '11+ GMC 2500-3500 HD

Install the Supplied Tow Hooks in the orientation shown below (Open to the inside and on the outside of the brace) using the supplied  $\frac{1}{2}$ "-13 bolts, washers, and nuts.





## Installation Instructions GMC Replacement Bumper

Product Number: S2850

Application: '11+ GMC 2500-3500 HD

### V. Maintenance/Care

- Periodically check and tighten all fasteners.
- Stripped, fractured, or bent bolts or nuts need to be replaced.



More than expected... Better than expected