



Installation Instructions

A415X Front Bumper

Product Number: A4150, A4151, A4152

Application: 2017 F250-F350

SAFETY

Your safety and the safety of others is very important.

- In order to help you make informed decisions about safety, we have provided installation instructions and other information.
- These instructions alert you to potential hazards that could hurt you or others.
- Please do a job safety analysis (JSA) before each task to identify potential hazards for your situation and remove/protect against them.
- You must use your own good judgment, and take your time.

Read and understand all safety precautions and instructions before installing this product.

**THIS PRODUCT IS FOR OFFROAD USE ONLY. ALL LIABILITY FOR
INSTALLATION AND USE RESTS WITH THE OWNER.**

**CARELESS INSTALLATION AND OPERATION CAN RESULT IN SERIOUS INJURY
OR EQUIPMENT DAMAGE.**

**SENSORS FIELD OF VIEW WILL BE ALTERED WITH USE OF THE
REPLACEMENT BUMPER.**

Injury hazard

Failure to observe these instructions could lead to severe injury or death.

- Always** remove jewelry and wear eye protection.
- Always** use extreme caution when jacking up a vehicle for work. Set emergency brake and use tire blocks. Locate and use the vehicle manufacturers designated lifting points. Use jack stands.
- Always** use appropriate and adequate care in lifting components into place.
- Always** insure components will remain secure during installation and operation.
- Always** wear safety glasses when installing this kit. A drilling operation will cause flying metal chips. Flying chips can cause serious eye injury.
- Always** use extreme caution when drilling on a vehicle. Thoroughly inspect the area to be drilled (on both sides of material) prior to drilling, and relocate any objects that may be damaged.
- Always** use extreme caution when cutting and trimming during fitting.
- Always** tighten all nuts and bolts securely per installation instructions.
- Always** route electrical cables carefully. Avoid moving parts, components that become hot and rough or sharp edges.
- Always** insulate and protect all exposed wiring and electrical terminals.
- Always** perform regular inspections and maintenance on mounts and related hardware.





Installation Instructions

A415X Front Bumper

Product Number: A4150, A4151, A4152

Application: 2017 F250-F350

I. Overview

Congratulations on your purchase of the industries' best and most stylish Ford Super Duty Winch Bumper! This bumper has been **engineered** for strength while keeping the weight down. It can accept the Warn 16.5 winch... and look cool doing it.

This product has also been **engineered** to allow alignment in three directions so you will end up with a very professional fit.

Your bumper was designed in 3-D, fabricated, and powder coated... all in the U.S.A.

Enjoy the fit and finish of a quality Ford Super Duty Winch Bumper from Fab Fours Inc!





Installation Instructions

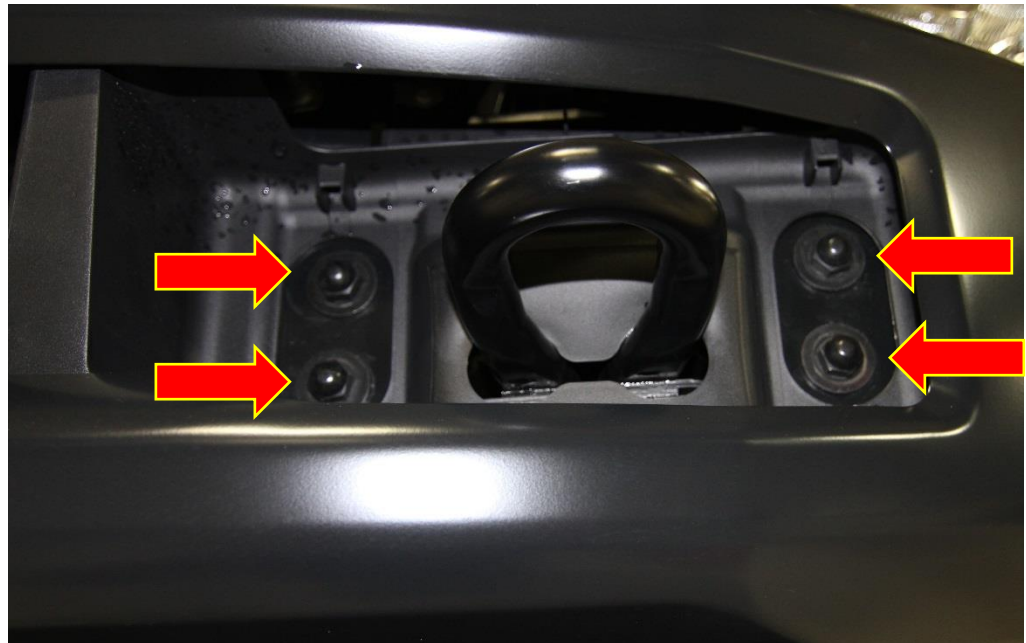
A415X Front Bumper

Product Number: A4150, A4151, A4152

Application: 2017 F250-F350

II. Vehicle Preparation

1. Start by removing four bolts around tow hook on each side of vehicle. This will require an 18mm socket.



2. Next, with the help of someone holding the bumper in place, remove the four 15mm bolts from the bumper supports on both sides of vehicle.

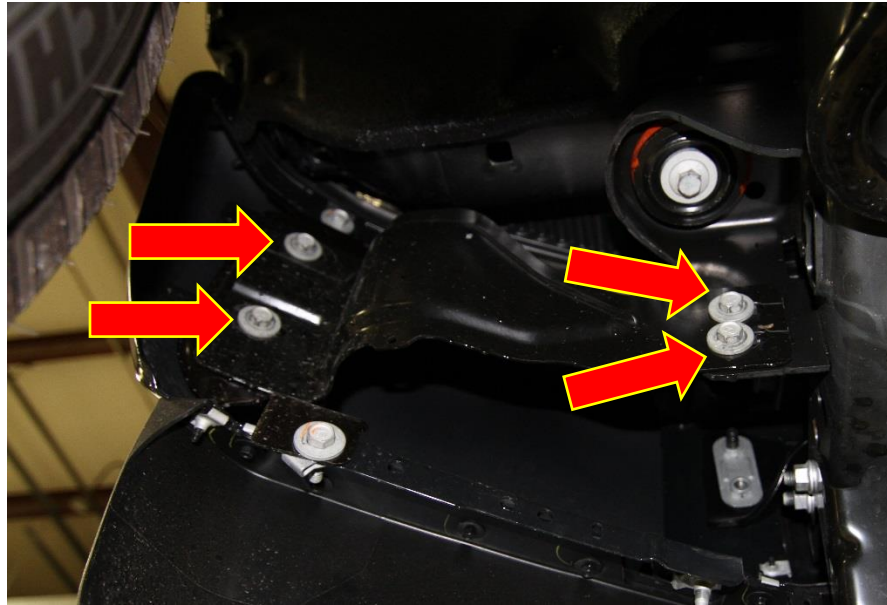


Installation Instructions

A415X Front Bumper

Product Number: A4150, A4151, A4152

Application: 2017 F250-F350



3. The bumper can now be removed. (Be careful when removing bumper if vehicle has a block heater, as this will have to be unplugged during this step.)
4. With the bumper off the vehicle, you can now remove the tow hooks by removing the four 18mm bolts located under the top of frame rail.

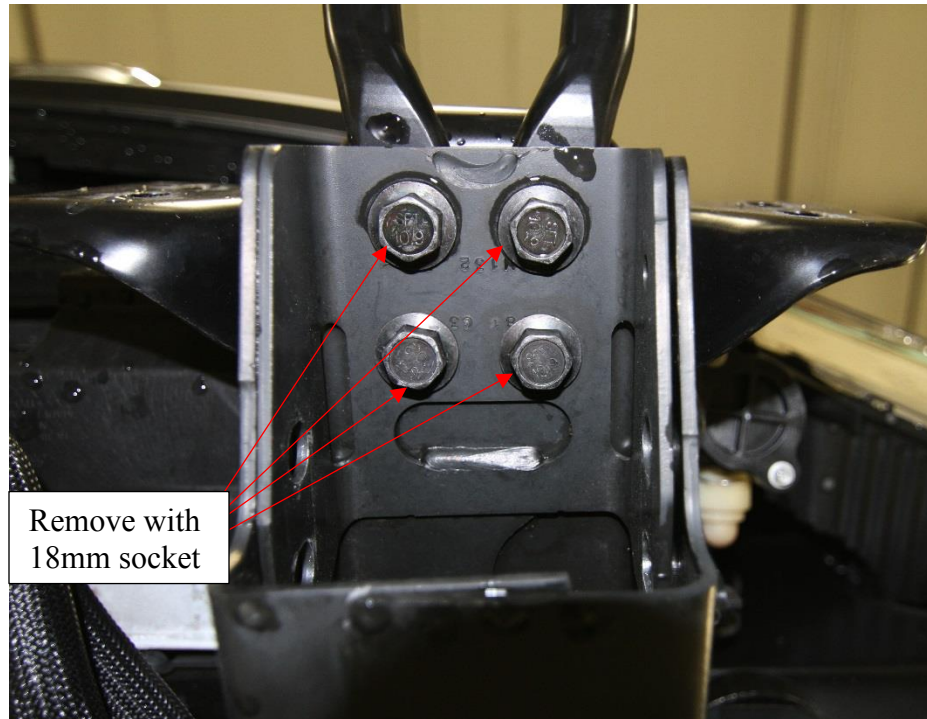


Installation Instructions

A415X Front Bumper

Product Number: A4150, A4151, A4152

Application: 2017 F250-F350



5. Next, using 18mm socket remove the two nuts on either side of the frame attaching frame horns to frame. Set bolt strips and nuts aside as they will be used in the installation of Fab Fours bumper. (See image.)



Installation Instructions

A415X Front Bumper

Product Number: A4150, A4151, A4152

Application: 2017 F250-F350



**NOTE: YOU MAY NEED TO
ACCESS THE BRACKETS
THROUGH THE FOG LIGHT
BRACKET. THEREFORE, DO
NOT INSTALL THE FOG LIGHT
UNTIL THE BUMPER HAS BEEN
FULLY INSTALLED!**





Installation Instructions

A415X Front Bumper

Product Number: A4150, A4151, A4152

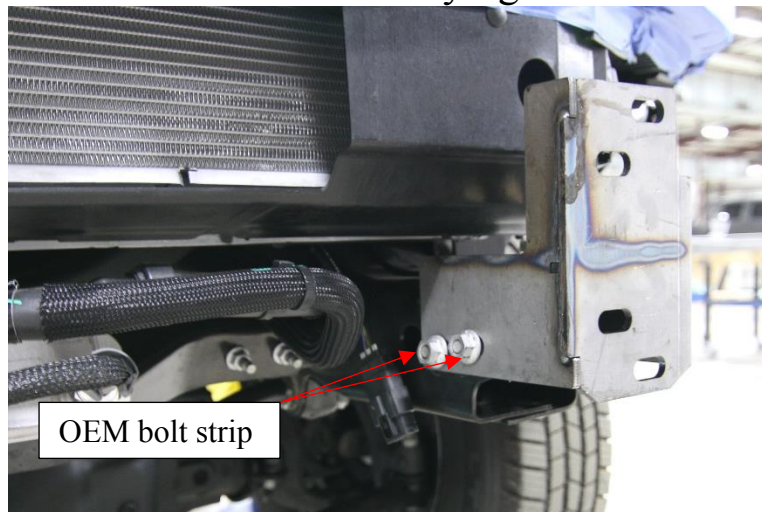
Application: 2017 F250-F350

III. BUMPER INSTALLATION

Optional: If installing winch and roller fairlead into bumper, do it at this time. Follow the winch manufacturer's instructions for installation. If you are installing a winch with a pulling capacity of 16,000 lbs., the front face mounting holes must be used.

If not installing a winch, a license plate may be installed onto the front face of the bumper. (Hardware not included.)

1. Start by installing Fab Fours mounting bracket as shown below. Do not fully tighten the hardware.





Installation Instructions

A415X Front Bumper

Product Number: A4150, A4151, A4152

Application: 2017 F250-F350



2. Once the brackets are loosely installed, with the help of two other people, lift the bumper into place.
3. With the bumper in place loosely install bolt strips and hardware.
4. Next hold the bumper into desired position on the truck. NOTE: Fab Fours recommends a MINIMUM gap of 3/8" at the outer fenders and headlights to prevent paint damage in normal operation.
5. With bumper in position you can begin tightening all hardware. Tighten all fasteners fully; beginning with frame mounts. Then tighten all mount-to-bumper fasteners.
6. With bumper fully installed you can now install supplied Fab Fours fog lights. **OPTIONAL:** Trim the



Installation Instructions

A415X Front Bumper

Product Number: A4150, A4151, A4152

Application: 2017 F250-F350

inner fender liners to match the higher clearance of your Fab Fours bumper. This can be done with a body saw, rotary tool, or sharp utility knife (New blade strongly recommended). **USE CAUTION WHEN PERFORMING ANY CUTTING OPERATION TO PREVENT VEHICLE DAMAGE OR PERSONAL INJURY.**





Installation Instructions

A415X Front Bumper

Product Number: A4150, A4151, A4152

Application: 2017 F250-F350

IV. Lights and Wiring Installation

1. Tap into the turn indicator wiring with the supplied tap connectors.
2. The turn indicator wiring harness may be installed at this time. To do so, remove the wiring harness and bulb socket from the lens housing. See below for wire color guide.

WIRE COLORS:

	<u>WIRE</u>	<u>OEM COLOR</u>	<u>FAB FOURS COLOR</u>
TURN SIGNALS	Running		→ White
	Turn	BL/WH(DS) – PL/BL(PS)	→ Red
	Ground	Black	→ Green
FOG LIGHT	Power	Purple	→ Red
	Ground	Black	→ Green

3. Tuck the Fab Fours provided wiring and bulb out of the way until the installation of the Fab Fours bumper is complete.
4. Tap into OEM fog light harnesses on each side of the vehicle using two supplied tap connectors.
5. Connect the supplied fog lamp wiring harnesses to tap connectors following wire color guide above.
6. Tuck OEM fog light harness and Fab Fours supplied wiring out of the way until completion of the bumper installation.
7. Install turn indicators into the plastic light insert using three self- tapping screws as shown below:





Installation Instructions

A415X Front Bumper

Product Number: A4150, A4151, A4152

Application: 2017 F250-F350

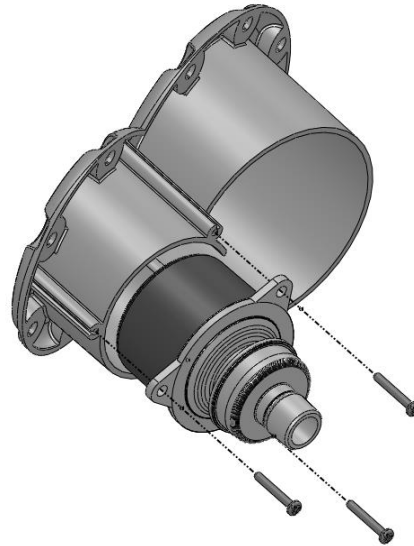


Figure 1 – Turn Signal Installation

8. Install the light inserts with turn indicators into the cutout in the bumper. Use the $\frac{3}{4}$ " length $\frac{1}{4}$ " stainless steel button head, $\frac{1}{4}$ " washers and hex nuts to fasten the insert through the holes shown below. Do not use the two holes closest to the center of the bumper at this time. Use washers only on the nut side (inside the bumper). Use needle nose pliers to tighten nuts with limited access.

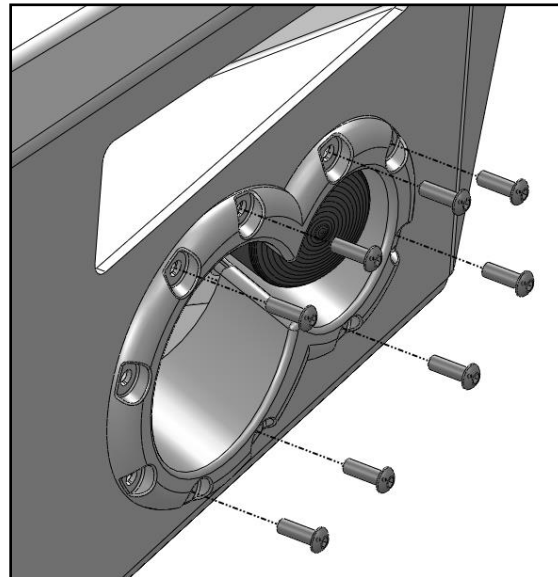


Figure 2 – Light Insert Installation



Installation Instructions

A415X Front Bumper

Product Number: A4150, A4151, A4152

Application: 2017 F250-F350

9. Install the Fab Fours fog lights onto the mounting brackets as shown below using the #8 button head screws, washers, and nylock hex nuts.

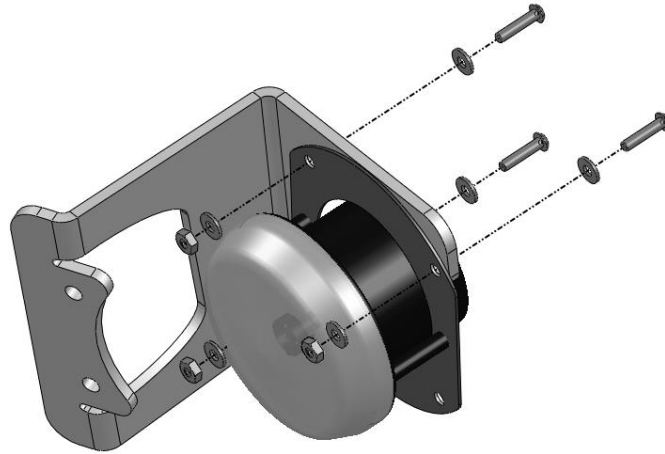


Figure 3 - Fog Light to Bracket Installation

10. Install the fog light and bracket into the bumper using the remaining two holes available in the light insert. Use the 1-1/2" length 1/4" stainless steel button heads with 1/4" washers and nylock nuts:

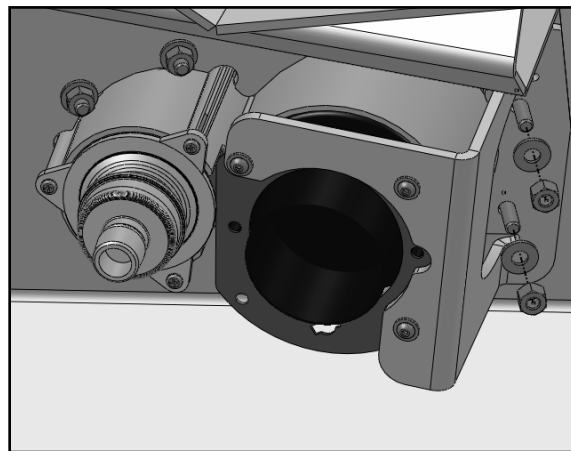


Figure 4 - Fog Light Installation

11. Repeat steps 7-10 for other side.
12. Connect wiring harnesses to lights as shown in wiring diagram.



Installation Instructions

A415X Front Bumper

Product Number: A4150, A4151, A4152

Application: 2017 F250-F350

Verify proper operation of lights. **Note:** Turn indicators should be dim during “running” condition and flash bright for turn.

V. Maintenance/Care

- Periodically check and tighten all fasteners.
- Stripped, fractured, or bent bolts or nuts need to be replaced.
- Keep all surfaces free of dirt, road grime, and standing water to ensure finish longevity.



More than expected... Better than expected