



Installation Instructions

Vengeance Front Bumper

Product Number: V2551, V2552, V2651, V2652

Application: 2011+ FORD SUPER DUTY

SAFETY

Your safety and the safety of others is very important.

- In order to help you make informed decisions about safety, we have provided installation instructions and other information.
- These instructions alert you to potential injury hazards.
- Please do a job safety analysis before each task to identify potential hazards for your situation and remove/protect against them.
- You must use your own good judgment.
- Read and understand all safety precautions and instructions before installing this product.

**THIS PRODUCT IS FOR OFFROAD USE ONLY. ALL LIABILITY FOR
INSTALLATION AND USE RESTS WITH THE OWNER.
CARELESS INSTALLATION AND OPERATION CAN RESULT IN SERIOUS
INJURY OR EQUIPMENT DAMAGE.
SENSORS FIELD OF VIEW WILL BE ALTERED WITH USE OF THE
REPLACEMENT BUMPER.**

Injury hazard

Failure to observe these instructions could lead to severe injury or death.

- Always remove jewelry and wear eye protection.
- Always use extreme caution when jacking up a vehicle for work. Set emergency brake and use tire blocks. Locate and use the vehicle manufacturers designated lifting points. Use jack stands.
- Always use appropriate and adequate care in lifting components into place.
- Always insure components will remain secure during installation and operation.
- Always wear safety glasses when installing this kit. A drilling operation will cause flying metal chips. Flying chips can cause serious eye injury.
- Always use extreme caution when drilling on a vehicle. Thoroughly inspect the area to be drilled (on both sides of material) prior to drilling, and relocate any objects that may be damaged.
- Always use extreme caution when cutting and trimming during fitting.
- Always tighten all nuts and bolts securely per installation instructions.
- Always route electrical cables carefully. Avoid moving parts, components that become hot and rough or sharp edges.
- Always insulate and protect all exposed wiring and electrical terminals.
- Always perform regular inspections and maintenance on mounts and related hardware.





Installation Instructions

Vengeance Front Bumper

Product Number: V2551, V2552, V2651, V2652

Application: 2011+ FORD SUPER DUTY

I. Overview

Congratulations on your new purchase of the industries' best and most stylish front bumper available for the 2011+ FORD SUPER DUTY. This bumper has been designed to be lightweight and easily customized with the industry's highest quality accessories.

Your front bumper designed in 3-D from digitized data, CNC laser cut, fabricated, and powder coated... all in the U.S.A.

Enjoy the fit and finish of a quality Vengeance FORD SUPER DUTY Front Bumper from Fab Fours Inc.





Installation Instructions

Vengeance Front Bumper

Product Number: V2551, V2552, V2651, V2652

Application: 2011+ FORD SUPER DUTY

Parts List

- V255X (Or V265X) Replacement Bumper
- Instruction Manual

Tools Required

- Socket Wrench with Extension (Ratcheting wrenches may also be convenient)
- 13mm, 15mm, 18mm Sockets and Box End Wrenches
- Flat head screw drivers
- Floor jack, jack stands, and/or a wood block.

II. Removal of OEM Bumper

Note: Save all OEM parts until installation is complete!

1. *Disconnect factory fog lamp harness from the connector on the lower radiator core support.*
2. *Unclip the splash mat from the factory bumper and fold up out of the way.*
3. *Remove bumper support bracket screws from the body mount bracket behind the bumper with a 13mm wrench or socket.*
4. *While supporting the bumper, unscrew the main bumper mounting bolts from the front face of the bumper (Shown Below). The bolts will remain captive in the bumper.*





Installation Instructions

Vengeance Front Bumper

Product Number: V2551, V2552, V2651, V2652

Application: 2011+ FORD SUPER DUTY



MAIN
BUMPER
MOUNTING
BOLTS

Figure 1 - Bumper Mount Bolts

5. *Remove OEM bumper assembly and set aside.*
6. *Remove the under-run guards from both frame rails with an 18mm Socket. Save this hardware for later use.*



SAVE THIS
HARDWARE
FOR REUSE

Figure 2 - Underrun Hardware





Installation Instructions

Vengeance Front Bumper

Product Number: V2551, V2552, V2651, V2652

Application: 2011+ FORD SUPER DUTY

7. *Remove the bumper mount / tow hook assembly from both frame rails using a 15mm socket. Save this hardware for later use.*



Figure 3 - Tow Hook Removal

III. Front Bumper Installation

- A. *Mount the bumper to the truck. With the help of at least two others, and possibly a floor jack to support the center of the bumper, lift the Fab Fours bumper into place.*
- B. *Insert the OEM underrun stud plates through the underrun mounting holes on the frame and then through the bumper's mounting flanges. Install four OEM nuts per side onto the studs. DO NOT FULLY TIGHTEN.*
- C. *Align the bumper top-to-bottom and right-to-left to ensure a perfect fit to the truck. Allow clearance to all painted surfaces; this is to allow for frame flex.*





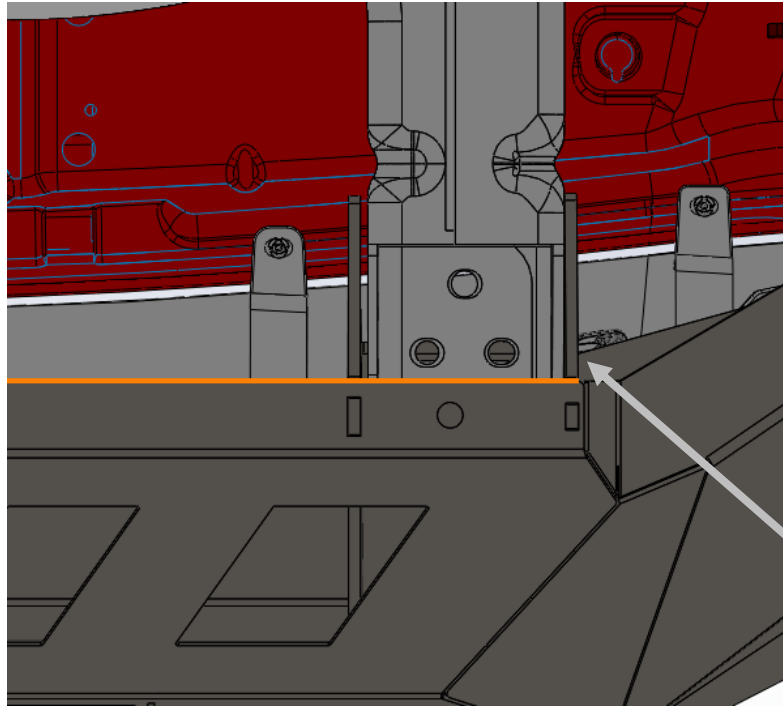
Installation Instructions

Vengeance Front Bumper

Product Number: V2551, V2552, V2651, V2652

Application: 2011+ FORD SUPER DUTY

- D. Fully tighten the fasteners between bumper and the truck on the sides that are closest to touching the frame rails first. Then tighten the remaining fasteners to insure the bumper is not pulled to one side by the bracket clearance.***



Tighten side that is closest to frame rail first.

- E. Enjoy your new front replacement bumper from Fab Fours!***





Installation Instructions

Vengeance Front Bumper

Product Number: V2551, V2552, V2651, V2652

Application: 2011+ FORD SUPER DUTY

V. Maintenance/Care

- Periodically check and tighten all fasteners.
- Stripped, fractured, or bent bolts or nuts need to be replaced.
- After washing of the vehicle make sure to fully dry all surfaces



More than expected... Better than expected.

