



# Installation Instructions

## Ford Winch Bumper

Product Number: A2550-A2652  
Application: '11-Current Ford Super Duty

## SAFETY

### Your safety and the safety of others is very important.

- In order to help you make informed decisions about safety, we have provided installation instructions and other information.
- These instructions alert you to potential hazards that could hurt you or others.
- Please do a job safety analysis (JSA) before each task to identify potential hazards for your situation and remove/protect against them.
- You must use your own good judgment, and take your time.

**Read and understand all safety precautions and instructions before installing this product.**

THIS PRODUCT IS FOR OFFROAD USE ONLY. ALL LIABILITY FOR INSTALLATION AND USE RESTS WITH THE OWNER.

**CARELESS INSTALLATION AND OPERATION CAN RESULT IN SERIOUS INJURY OR EQUIPMENT DAMAGE.**

## Injury hazard

### Failure to observe these instructions could lead to severe injury or death.

- Always** remove jewelry and wear eye protection.
- Always** use extreme caution when jacking up a vehicle for work. Set emergency brake and use tire blocks. Locate and use the vehicle manufacturers designated lifting points. Use jack stands.
- Always** use appropriate and adequate care in lifting components into place.
- Always** insure components will remain secure during installation and operation.
- Always** wear safety glasses when installing this kit. A drilling operation will cause flying metal chips. Flying chips can cause serious eye injury.
- Always** use extreme caution when drilling on a vehicle. Thoroughly inspect the area to be drilled (on both sides of material) prior to drilling, and relocate any objects that may be damaged.
- Always** use extreme caution when cutting and trimming during fitting.
- Always** tighten all nuts and bolts securely per installation instructions.
- Always** route electrical cables carefully. Avoid moving parts, components that become hot and rough or sharp edges.
- Always** insulate and protect all exposed wiring and electrical terminals.
- Always** perform regular inspections and maintenance on mounts and related hardware.



# Installation Instructions

## Ford Winch Bumper

Product Number: A2550-A2652  
Application: '11-Current Ford Super Duty

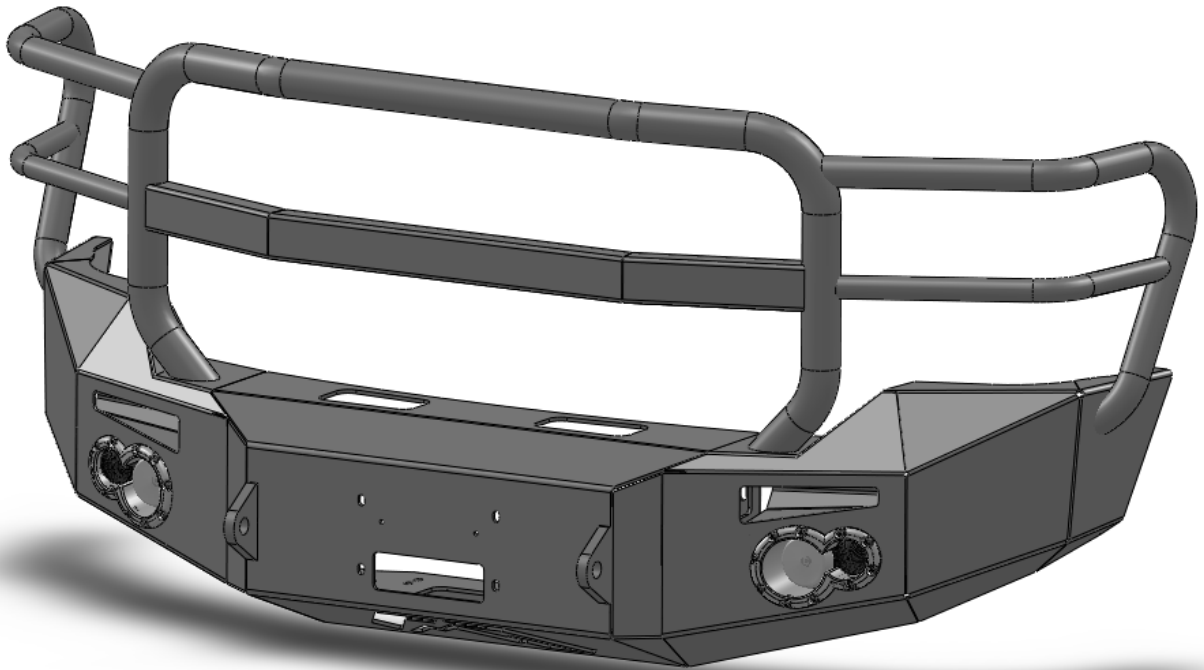
### I. Overview

Congratulations on your purchase of the industries' best and most stylish Ford Winch Bumper! This bumper has been **engineered** for strength while keeping the weight down. It can accept the Warn 16.5 winch... and look cool doing it.

This product has also been **engineered** to allow alignment in three directions plus "castor" so you will end up with a very professional fit.

Your bumper was designed in 3-D from digitized data, CNC laser cut, fabricated, and powder coated... all in the U.S.A.

Enjoy the fit and finish of a quality Ford Winch Bumper from Fab Fours Inc!





# Installation Instructions

## Ford Winch Bumper

Product Number: A2550-A2652  
Application: '11-Current Ford Super Duty

### II. Tools Required

- Test Light or Multi-Meter
- Socket Wrench With Extension
- 5/32" Allen Wrench
- 1/8" Allen Wrench
- 18mm Socket
- 15mm Socket
- 13mm Socket
- 3/4" Socket
- 3/4" Open End Wrench
- 7/16" Open End Wrench
- 3/8" Open End Wrench
- 7/32" Socket
- Phillips Screwdriver

### III. Vehicle Preparation

1. Disconnect factory fog lamp harness from the connector on the lower radiator core support.
2. Unclip the splash mat from the factory bumper and fold up out of the way.
3. Remove bumper support bracket screws from the body mount bracket behind the bumper with a 13mm wrench or socket.
4. While supporting the bumper, unscrew the main bumper mounting bolts from the front face of the bumper (Shown Below). The bolts will remain captive in the bumper.



Figure 1 - Bumper Mount Bolts



# Installation Instructions

## Ford Winch Bumper

Product Number: A2550-A2652  
Application: '11-Current Ford Super Duty

5. Remove OEM bumper assembly and set aside.
6. (If Equipped) Remove the under-run guards from both frame rails with an 18mm Socket. Save this hardware for later use.



Figure 2 - Under-run Hardware

7. Remove the bumper mount / tow hook assembly from both frame rails using a 15mm socket. Save this hardware for later use.



Figure 3 - Tow Hook Removal



# Installation Instructions

## Ford Winch Bumper

Product Number: A2550-A2652  
Application: '11-Current Ford Super Duty

### IV. Lights and Wiring Installation

1. Remove headlights following procedure in owners manual. On each side, tap into the three turn indicator wires using supplied tap connectors (reference the wiring diagram).
2. Connect supplied turn indicator wiring harnesses to factory wires using supplied tap connectors; See below for wire color guide.
3. Replace headlights in reverse order of removal.
4. Tap into OEM fog light harness using two supplied tap connectors.
5. Connect supplied fog lamp wiring harness to tap connectors following wire color guide below.
6. Run passenger side fog lamp supply wires across bottom of bumper and tap into Fab Fours driver side fog lamp wires.
7. Install turn indicators into the plastic light insert using three self-tapping screws as shown below:

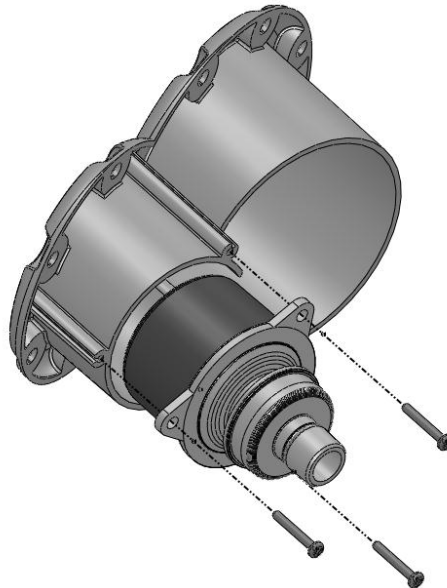


Figure 4 – Turn Signal Installation



# Installation Instructions

## Ford Winch Bumper

Product Number: A2550-A2652  
Application: '11-Current Ford Super Duty

8. Install the light inserts with turn indicators into the cutout in the bumper. Use the  $\frac{3}{4}$ " length  $\frac{1}{4}$ " stainless steel button head,  $\frac{1}{4}$ " washers and hex nuts to fasten the insert through the holes shown below:

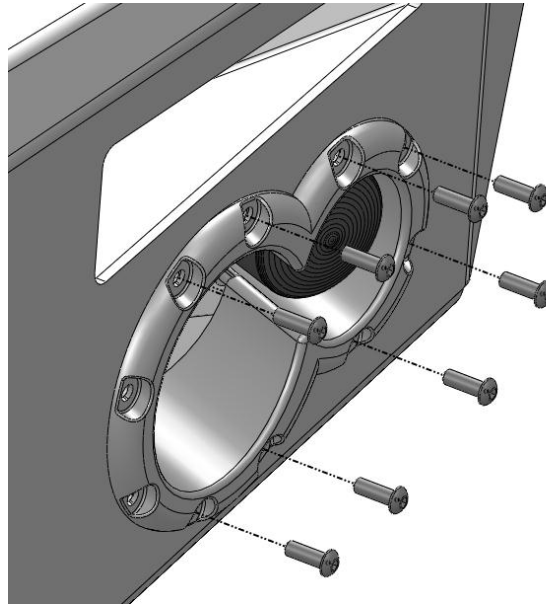


Figure 5 – Light Insert Installation

9. Install the Fab Fours fog lights onto the mounting brackets as shown below using the #8 button head screws, washers, and nylock hex nuts.

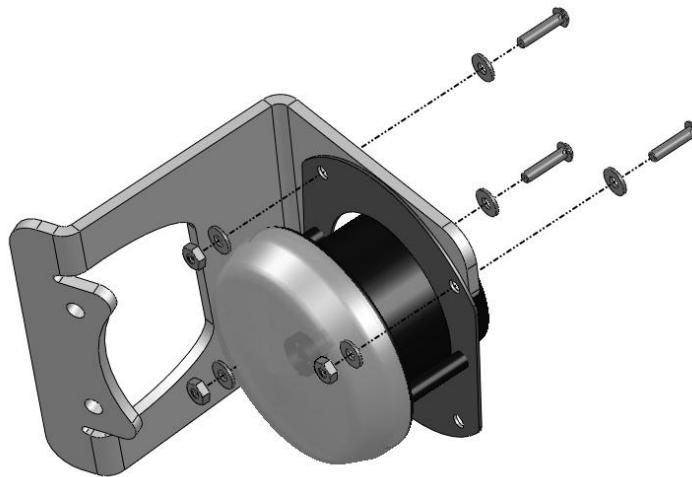


Figure 6 - Fog Light to Bracket Installation



**Installation Instructions**  
**Ford Winch Bumper**  
 Product Number: A2550-A2652  
 Application: '11-Current Ford Super Duty

10. Install the fog light and bracket into the bumper using the remaining two holes available in the light insert. Use the 1-1/2" length 1/4" stainless steel button heads with 1/4" washers and nylock nuts:

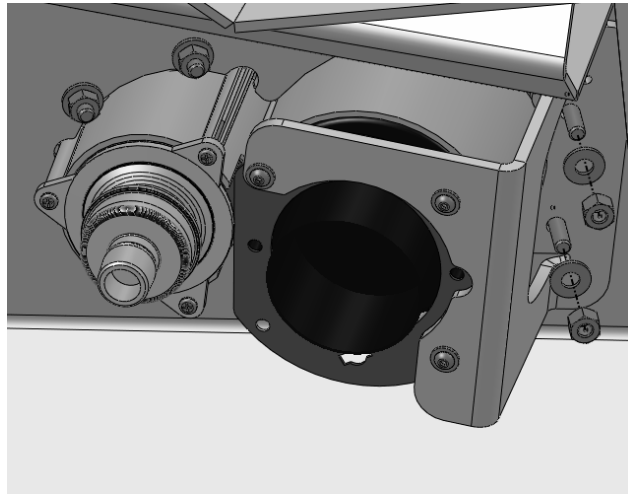
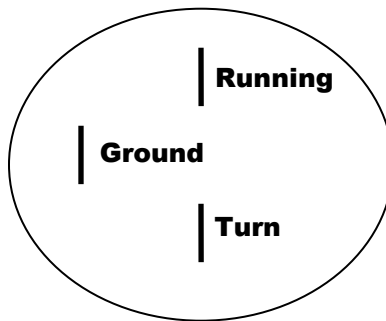


Figure 7 - Fog Light Installation

11. Repeat steps 7-10 for other side.

- Do not connect wiring harnesses to lights until bumper is installed.

**Hella Turn Indicator Connectors**



**WIRE COLORS:**

<u>WIRE</u>	<u>OEM COLOR</u>	<u>FAB FOURS COLOR</u>
Running	Grey/Yellow →	White
Turn	Blue/Green →	Red
Ground	Black →	Green



# Installation Instructions

## Ford Winch Bumper

Product Number: A2550-A2652  
Application: '11-Current Ford Super Duty

### V. Bumper Installation

- **Optional:** If installing winch and roller fairlead into bumper, do it at this time. Follow the winch manufacturer's instructions for installation. If you are installing a winch with a pulling capacity of 12,000 lbs. or greater, the front face mounting holes must be used.

If not installing a winch, a license plate may be installed onto the front face of the bumper using the provided 1/4" hardware.

1. Install intermediate mount onto the frame rail using the OEM under-run guard stud plates and nuts, and tow hook bolts with 12mm nuts provided in the hardware kit. Be sure stud plates are re installed in the factory direction. If the truck was not equipped with under run guards from the factory, use the 1/2" fasteners provided in the hardware kit. **DO NOT FULLY TIGHTEN**, repeat for other side.

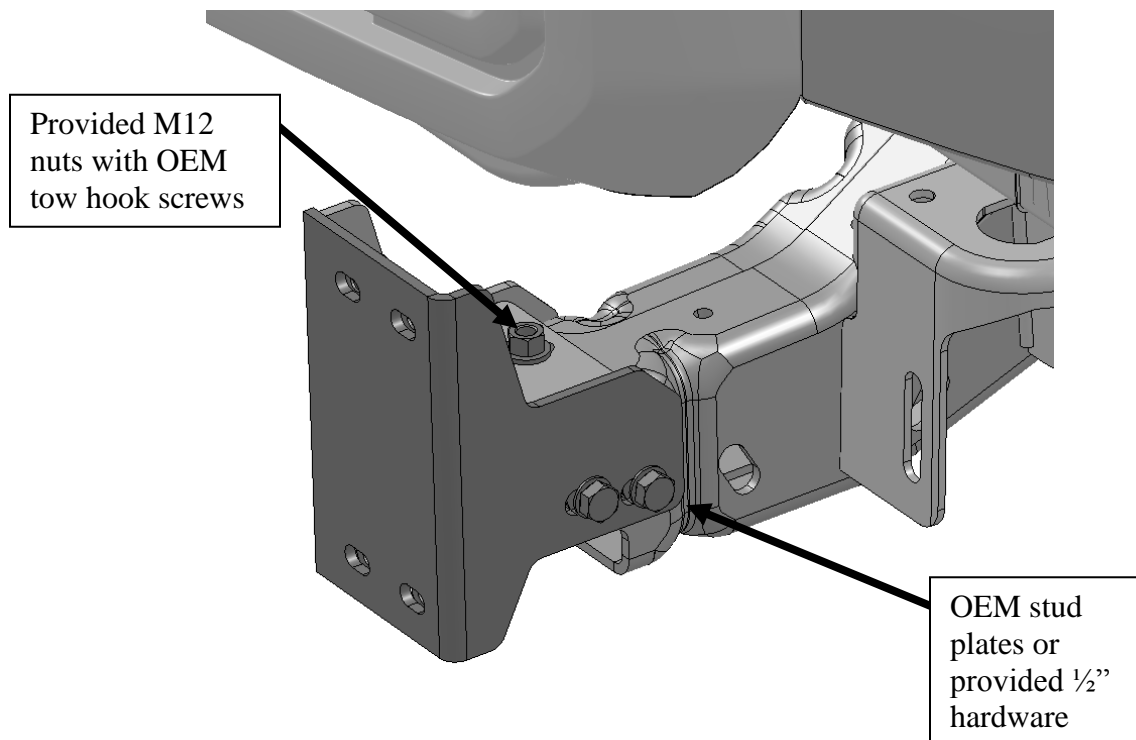


Figure 8 - Intermediate Bracket Installation





# Installation Instructions

## Ford Winch Bumper

Product Number: A2550-A2652  
Application: '11-Current Ford Super Duty

2. Insert the provided stud plate assemblies through the back of the bumper mount face as shown below.

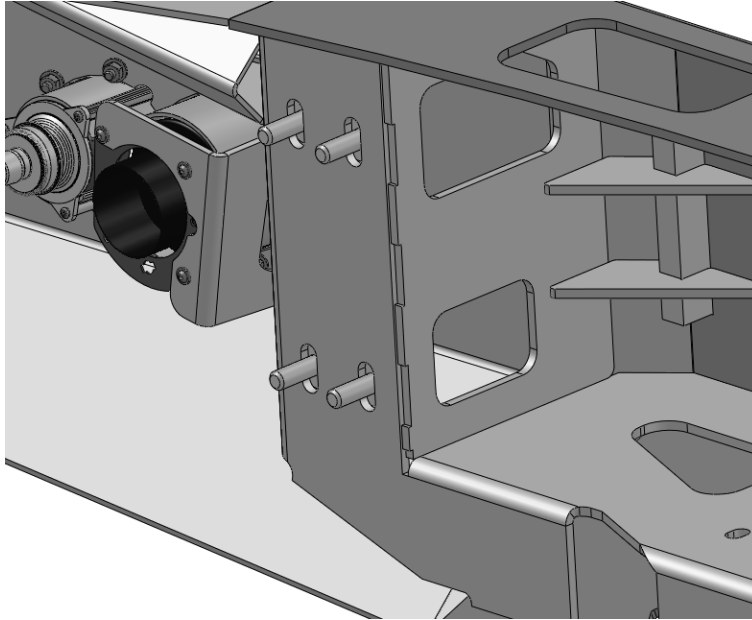


Figure 9 – Stud Plate Orientation

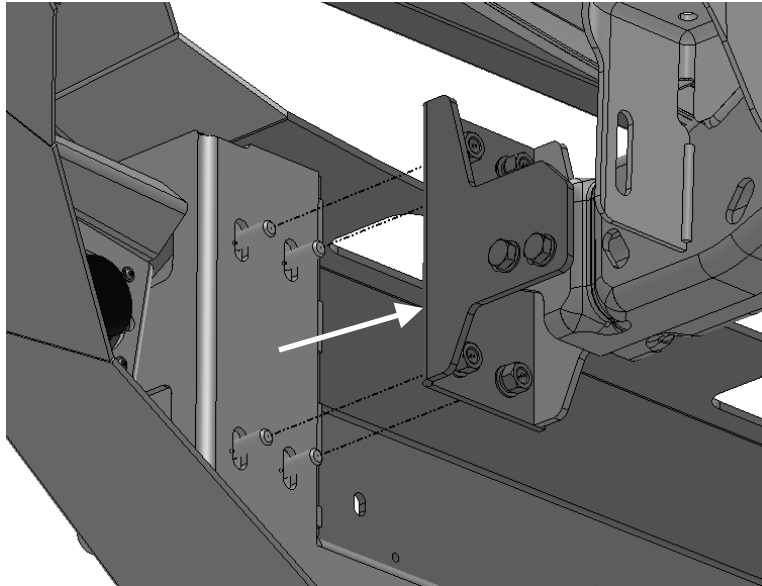
3. Lift the bumper and carefully inert the studs into the slots on the mounting brackets. With the bumper supported, install four nuts, washers, and lock washers per side onto the studs. **DO NOT FULLY TIGHTEN**



# Installation Instructions

## Ford Winch Bumper

Product Number: A2550-A2652  
Application: '11-Current Ford Super Duty



**Figure 10 – Bumper Installation**

4. Adjust the bumper to achieve good visual alignment as follows:
  1. Adjust in/out bumper alignment with mounting bracket to frame hardware.
  2. Adjust up/down and left/right alignment with bumper to mounting bracket hardware
5. Tighten all fasteners fully; beginning with frame mounts. Then tighten all mount-to-bumper fasteners.
6. Connect wiring harnesses to lights as shown in wiring diagram.
7. Verify proper operation of lights. **Note:** Turn indicators should be dim during “running” condition and flash bright for turn.



**Installation Instructions**  
**Ford Winch Bumper**  
Product Number: A2550-A2652  
Application: '11-Current Ford Super Duty



**Installation Instructions**  
**Ford Winch Bumper**  
Product Number: A2550-A2652  
Application: '11-Current Ford Super Duty

**VI. Maintenance/Care**

- Periodically check and tighten all fasteners.
- Stripped, fractured, or bent bolts or nuts need to be replaced.



**More than expected... Better than expected**