



Installation Instructions

Ford Winch Bumper

Product Number: A1250-A1252

Application: '05-'07 Ford Super Duty

SAFETY

Your safety and the safety of others is very important.

- In order to help you make informed decisions about safety, we have provided installation instructions and other information.
- These instructions alert you to potential hazards that could hurt you or others.
- Please do a job safety analysis (JSA) before each task to identify potential hazards for your situation and remove/protect against them.
- You must use your own good judgment, and take your time.

Read and understand all safety precautions and instructions before installing this product.

THIS PRODUCT IS FOR OFFROAD USE ONLY. ALL LIABILITY FOR INSTALLATION AND USE RESTS WITH THE OWNER.

CARELESS INSTALLATION AND OPERATION CAN RESULT IN SERIOUS INJURY OR EQUIPMENT DAMAGE.

Injury hazard

Failure to observe these instructions could lead to severe injury or death.

- Always** remove jewelry and wear eye protection.
- Always** use extreme caution when jacking up a vehicle for work. Set emergency brake and use tire blocks. Locate and use the vehicle manufacturers designated lifting points. Use jack stands.
- Always** use appropriate and adequate care in lifting components into place.
- Always** insure components will remain secure during installation and operation.
- Always** wear safety glasses when installing this kit. A drilling operation will cause flying metal chips. Flying chips can cause serious eye injury.
- Always** use extreme caution when drilling on a vehicle. Thoroughly inspect the area to be drilled (on both sides of material) prior to drilling, and relocate any objects that may be damaged.
- Always** use extreme caution when cutting and trimming during fitting.
- Always** tighten all nuts and bolts securely per installation instructions.
- Always** route electrical cables carefully. Avoid moving parts, components that become hot and rough or sharp edges.
- Always** insulate and protect all exposed wiring and electrical terminals.
- Always** perform regular inspections and maintenance on mounts and related hardware.



Installation Instructions

Ford Winch Bumper

Product Number: A1250-A1252

Application: '05-'07 Ford Super Duty

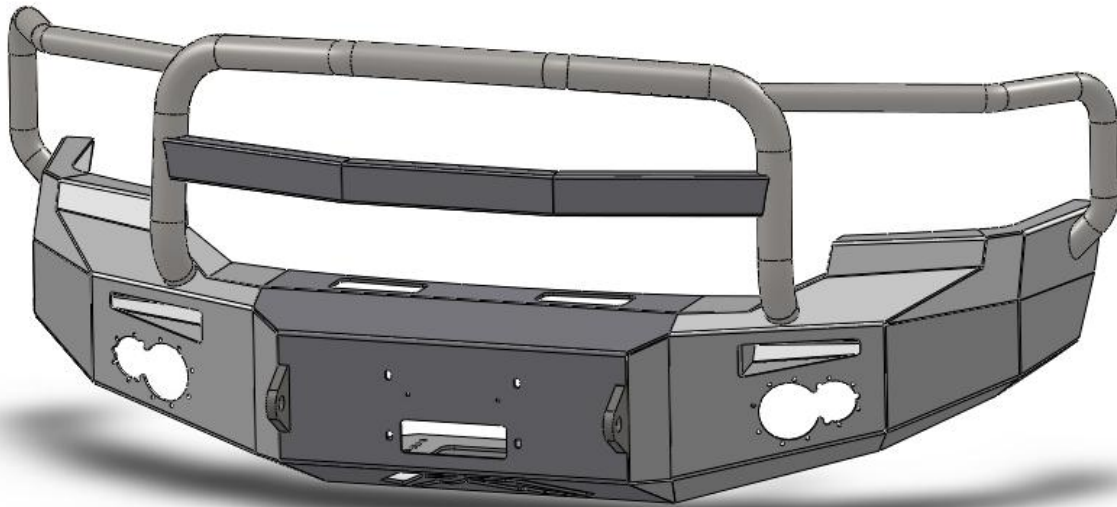
I. Overview

Congratulations on your purchase of the industries' best and most stylish Ford Winch Bumper! This bumper has been **engineered** for strength while keeping the weight down. It can accept the Warn 16.5 winch... and look cool doing it.

This product has also been **engineered** to allow alignment adjustments so you will end up with a very professional fit.

Your bumper was designed, cut, welded, finished, and powder coated... all in the U.S.A.

Enjoy the fit and finish of a quality Ford Winch Bumper from Fab Fours Inc!





Installation Instructions

Ford Winch Bumper

Product Number: A1250-A1252

Application: '05-'07 Ford Super Duty

II. Tools Required

- Socket Wrench With Extension
- 5/32" Allen Wrench
- 1/8" Allen Wrench
- 18mm Socket
- 3/4" Socket
- 3/4" Open End Wrench
- 7/16" Open End Wrench
- 3/8" Open End Wrench
- 7/32" Socket
- Phillips Screwdriver
- Hammer

III. Vehicle Preparation

1. Disconnect the wiring harness from both fog lights.
2. Remove the fasteners holding the OEM bumper to the chassis.

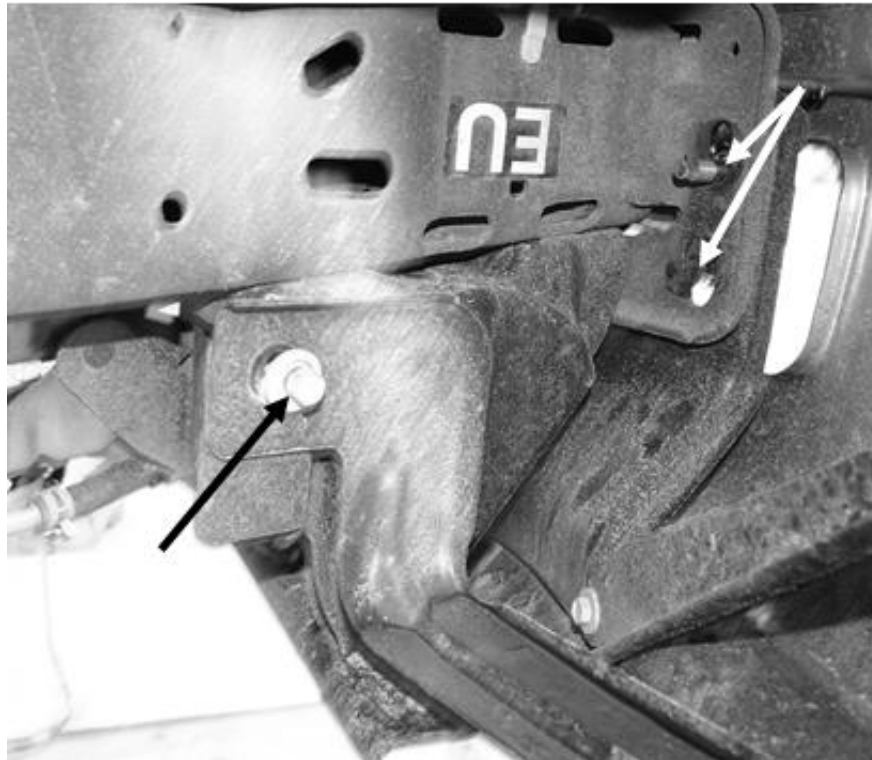


Figure 1 – Fastener Locations



Installation Instructions

Ford Winch Bumper

Product Number: A1250-A1252

Application: '05-'07 Ford Super Duty

3. Remove the OEM bumper assembly from the truck:



Figure 2 - Bumper Removal

4. Remove the OEM tow hooks from both frame rails; they will not be reused.
5. Zip-tie all loose wiring and components securely to the frame.

Your truck is now ready for the installation of your FAB FOURS bumper.



Installation Instructions

Ford Winch Bumper

Product Number: A1250-A1252

Application: '05-'07 Ford Super Duty

IV. Lights and Wiring Installation

1. Remove headlights following procedure in owner's manual. On each side, tap into the three turn indicator wires using supplied tap connectors (reference the wiring diagram).
2. Connect supplied turn indicator wiring harnesses to factory wires using supplied tap connectors; See below for wire color guide.
3. Replace headlights in reverse order of removal.
4. Tap into OEM fog light harness using two supplied tap connectors.
5. Connect supplied fog lamp wiring harness to tap connectors following wire color guide below.
6. Run passenger side fog lamp supply wires across bottom of bumper and tap into Fab Fours driver side fog lamp wires.
7. Install turn indicators into the plastic light insert using three self-tapping screws as shown below:

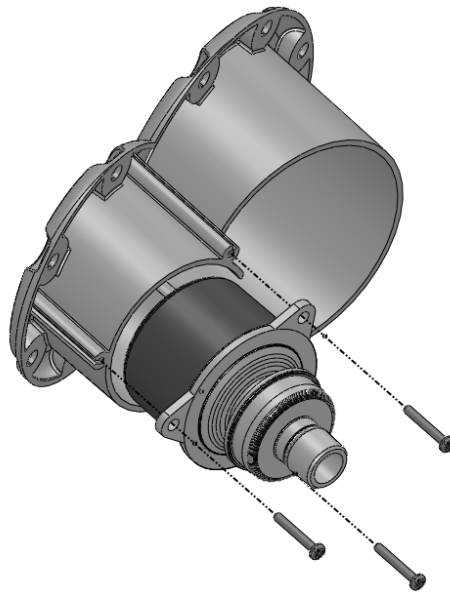


Figure 3 – Turn Signal Installation



Installation Instructions

Ford Winch Bumper

Product Number: A1250-A1252

Application: '05-'07 Ford Super Duty

8. Install the light inserts with turn indicators into the cutout in the bumper. Use the $\frac{3}{4}$ " length $\frac{1}{4}$ " stainless steel button head, $\frac{1}{4}$ " washers and hex nuts to fasten the insert through the holes shown below:

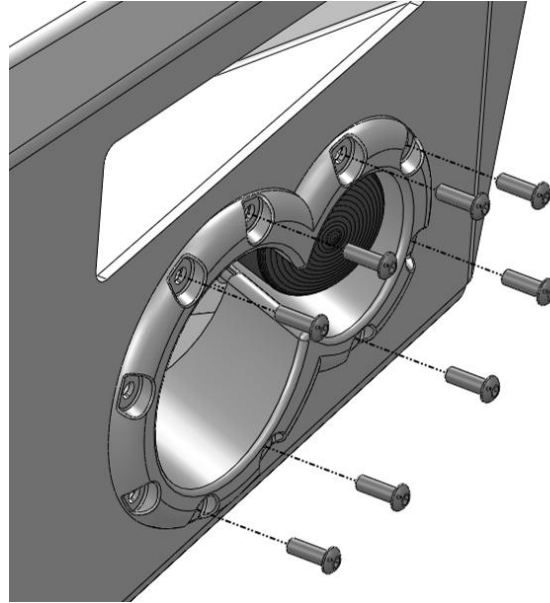


Figure 4 – Light Insert Installation

9. Install the Fab Fours fog lights onto the mounting brackets as shown below using the #8 button head screws, washers, and nylock hex nuts.

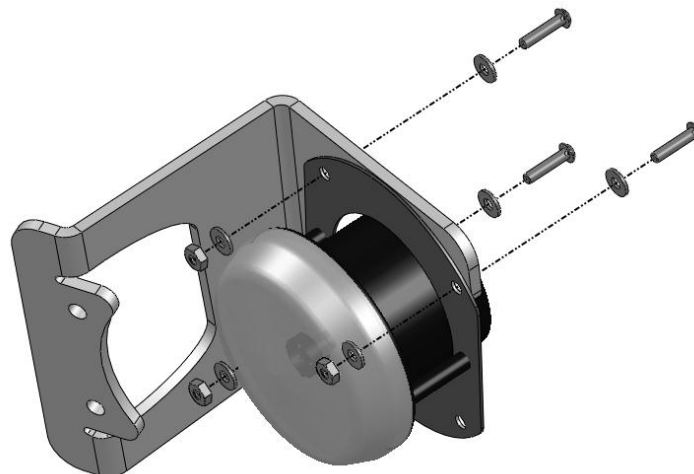


Figure 5 - Fog Light to Bracket Installation



Installation Instructions

Ford Winch Bumper

Product Number: A1250-A1252

Application: '05-'07 Ford Super Duty

10. Install the fog light and bracket into the bumper using the remaining two holes available in the light insert. Use the 1-1/2" length 1/4" stainless steel button heads with 1/4" washers and nylock nuts:

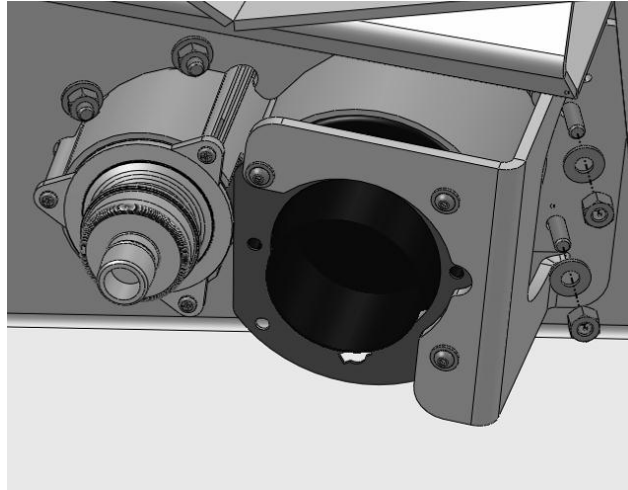
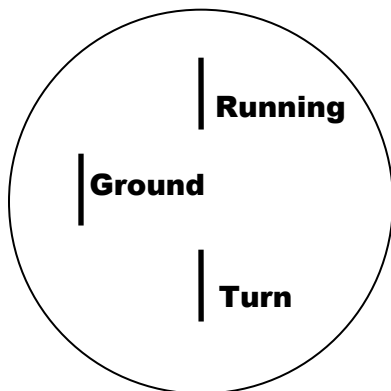


Figure 6 - Fog Light Installation

11. Repeat steps 7-10 for other side.

- Do not connect wiring harnesses to lights until bumper is installed.

Turn Indicator Connectors





Installation Instructions

Ford Winch Bumper

Product Number: A1250-A1252

Application: '05-'07 Ford Super Duty

OEM WIRE COLOR CROSS REFERENCE

Driver Side Turn Indicator at Headlight

OEM (Running) Brown → White Fab Fours
OEM (Turn) Green/White → Red Fab Fours
OEM (Ground) Black → Green Fab Fours

Passenger Side Turn Indicator at Headlight

OEM (Running) Brown → White Fab Fours
OEM (Turn) White/Blue → Red Fab Fours
OEM (Ground) Black → Green Fab Fours

Fog Lamp

OEM (Power) Orange/Grey → Red Fab Fours
OEM (Ground) Black → Green Fab Fours

Note: Tap into Fab Fours driver side fog lamp harness to supply passenger side



Installation Instructions

Ford Winch Bumper

Product Number: A1250-A1252

Application: '05-'07 Ford Super Duty

V. Bumper Installation

- **Optional:** If installing winch and roller fairlead into bumper, do it at this time. Follow the winch manufacturer's instructions for installation. If you are installing a winch with a pulling capacity of 12,000 lbs. or greater, the front face mounting holes must be used.

If not installing a winch, a license plate may be installed onto the front face of the bumper using the provided $\frac{1}{4}$ " hardware.

1. Insert the bumper mounts into the frame rails as shown below:

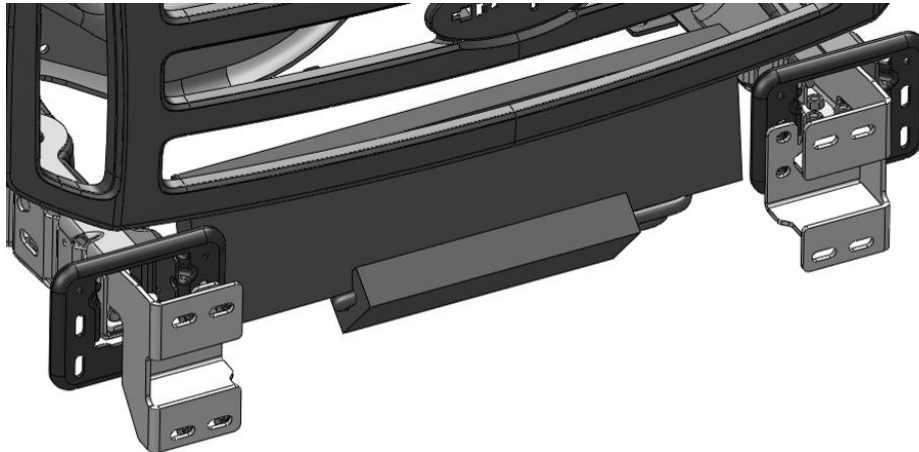


Figure 7 - Bracket Orientation

2. Fasten the brackets to the frame with the provided $\frac{1}{2}$ " bolts, washers, lock washers and nuts on the front flange. Repeat for other side.

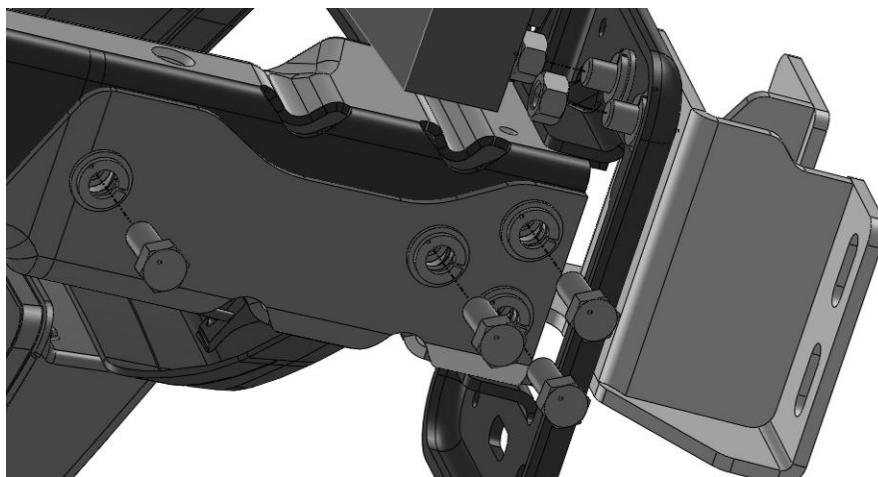


Figure 8 - Intermediate Bracket Installation



Installation Instructions

Ford Winch Bumper

Product Number: A1250-A1252

Application: '05-'07 Ford Super Duty

3. Insert the provided stud plate assemblies through the back of the bumper mount face as shown below.

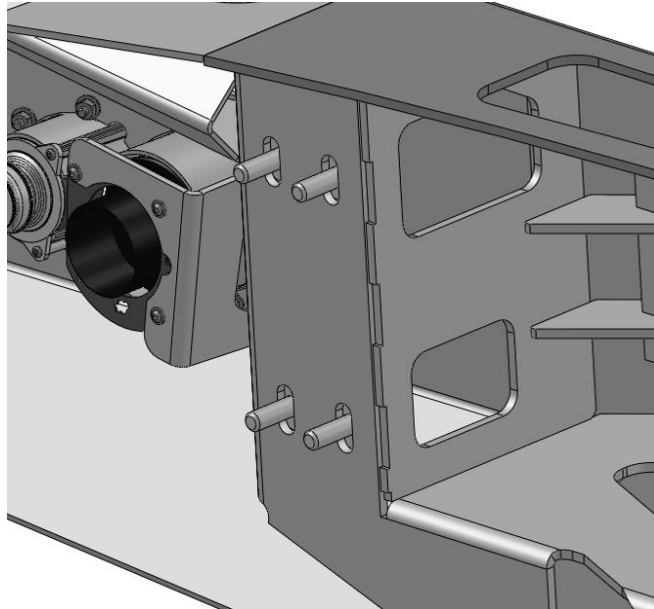


Figure 9 – Stud Plate Orientation

4. Lift the bumper and carefully insert the studs into the slots on the mounting brackets. With the bumper supported, install four nuts, washers, and lock washers per side onto the studs. **DO NOT FULLY TIGHTEN**

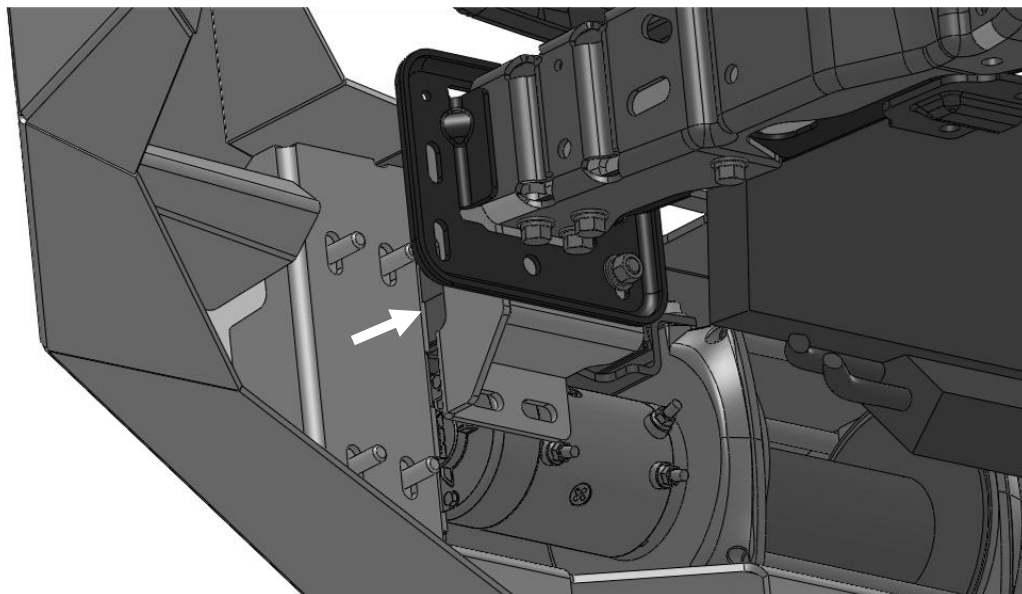


Figure 10 – Bumper Installation



Installation Instructions

Ford Winch Bumper

Product Number: A1250-A1252

Application: '05-'07 Ford Super Duty

5. Adjust the bumper to achieve good visual alignment by adjusting up/down and left/right alignment with bumper to mounting bracket hardware.
 - a. If the bumper needs significant in-out adjustment, contact Fab Fours and the number below.
6. Tighten all fasteners fully; beginning with frame mounts. Then tighten all mount-to-bumper fasteners.
7. Connect wiring harnesses to lights as shown in wiring diagram.
8. Verify proper operation of lights. **Note:** Turn indicators should be dim during "running" condition and flash bright for turn.

VI. Maintenance/Care

- Periodically check and tighten all fasteners.
- Stripped, fractured, or bent bolts or nuts need to be replaced.



More than expected... Better than expected