



Installation Instructions

2015 FORD F150 Rear Bumper

Product Number: T3250

Application: 2015+ FORD F150

SAFETY

Your safety and the safety of others is very important.

- In order to help you make informed decisions about safety, we have provided installation instructions and other information.
- These instructions alert you to potential hazards that could hurt you or others.
- Please do a job safety analysis before each task to identify potential hazards for your situation and remove/protect against them.
- You must use your own good judgment, and take your time.

Read and understand all safety precautions and instructions before installing this product.

THIS PRODUCT IS FOR OFFROAD USE ONLY. ALL LIABILITY FOR INSTALLATION AND USE RESTS WITH THE OWNER.

CARELESS INSTALLATION AND OPERATION CAN RESULT IN SERIOUS INJURY OR EQUIPMENT DAMAGE.

Injury hazard

Failure to observe these instructions could lead to severe injury or death.

- Always** remove jewelry and wear eye protection.
- Always** use extreme caution when jacking up a vehicle for work. Set emergency brake and use tire blocks. Locate and use the vehicle manufacturers designated lifting points. Use jack stands.
- Always** use appropriate and adequate care in lifting components into place.
- Always** insure components will remain secure during installation and operation.
- Always** wear safety glasses when installing this kit. A drilling operation will cause flying metal chips. Flying chips can cause serious eye injury.
- Always** use extreme caution when drilling on a vehicle. Thoroughly inspect the area to be drilled (on both sides of material) prior to drilling, and relocate any objects that may be damaged.
- Always** use extreme caution when cutting and trimming during fitting.
- Always** tighten all nuts and bolts securely per installation instructions.
- Always** route electrical cables carefully. Avoid moving parts, components that become hot and rough or sharp edges.
- Always** insulate and protect all exposed wiring and electrical terminals.
- Always** perform regular inspections and maintenance on mounts and related hardware.





Installation Instructions

2015 FORD F150 Rear Bumper

Product Number: T3250

Application: 2015+ FORD F150

I. Parts List

- T3250 rear replacement bumper with mounting brackets
- 50023-HW
- Instruction Manual
- TXX50-HW
- Spare Tire Lock Retainer Ring
- 2 Lights, grommets, and wiring

II. Tools Required

- Socket Wrench with Extensions
- 5/8", 3/4", 8mm, 9mm, and 13mm Sockets
- 5/8", 3/4", 8mm, 9mm, and 13mm Box End Wrench
- 7/32 drill bit



III. Removal of Stock Bumper

1. Remove license plate, and OEM license plate lights. Disconnect trailer receptacle.



Figure 1 (Lic. Light removed)

2. Disconnect the sensor harness plug, indicated by the red circle, and then trace the ground wire, indicated by the blue square, around the frame and using a 10mm wrench unscrew (ref. fig. 2a-b).

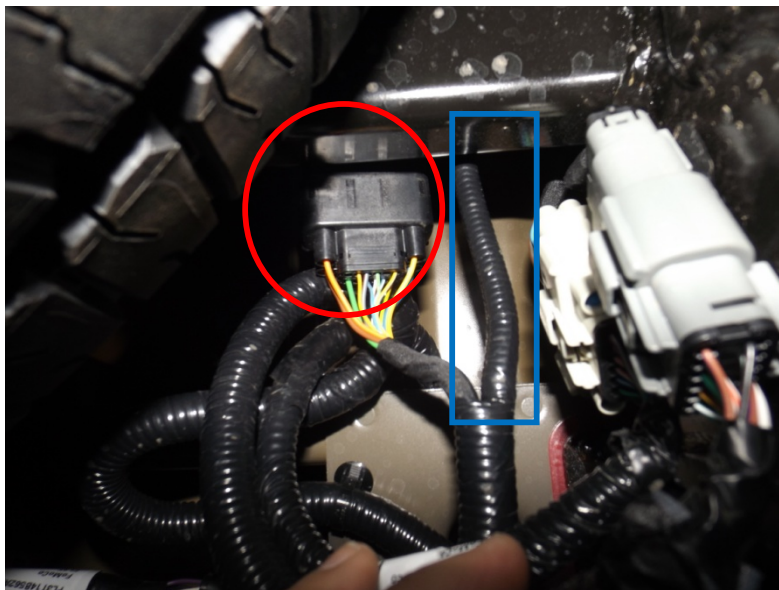


Figure 2a



Installation Instructions

2015 FORD F150 Rear Bumper

Product Number: T3250

Application: 2015+ FORD F150



Figure 2b

3. Remove one (1) Christmas tree plug and (1) clip connecting the harness to the frame.
4. Remove seven plastic Christmas tree plugs holding the harness to the inside of the bumper. Fish the harness out of the bumper and out of the way.





Installation Instructions

2015 FORD F150 Rear Bumper

Product Number: T3250

Application: 2015+ FORD F150

5. The OE bumper will come off in 3 pieces. From the outside and starting from the passenger side edge peel away the plastic that is clipped into the top of the bumper (Figure 3). Flat head screwdriver is recommended for removal.



Figure 3



Installation Instructions

2015 FORD F150 Rear Bumper

Product Number: T3250

Application: 2015+ FORD F150

6. Remove the final 10 bolts that are now accessible using a 13mm socket (Figure 4a-b)

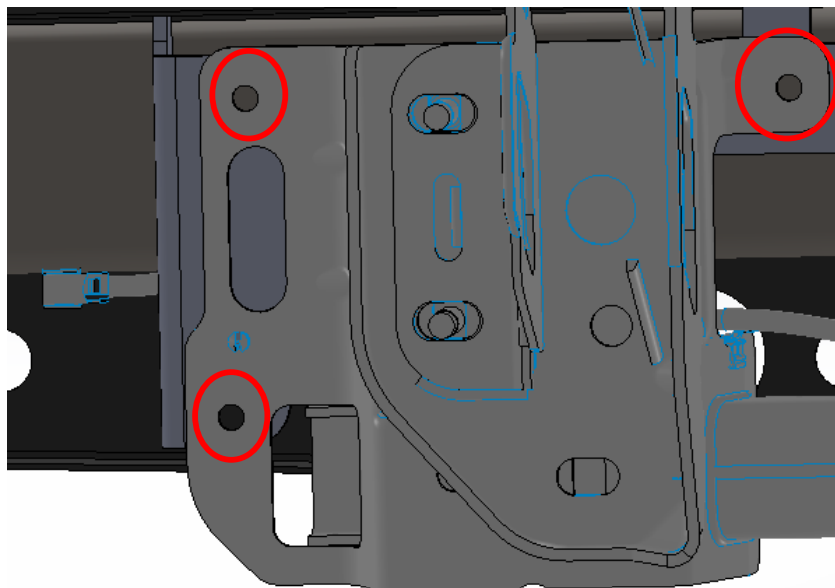


Figure 4 (3x per side, Outer Bolt Locations)



Figure 4b (2x per side, Inner bolt locations)



Installation Instructions

2015 FORD F150 Rear Bumper

Product Number: T3250

Application: 2015+ FORD F150

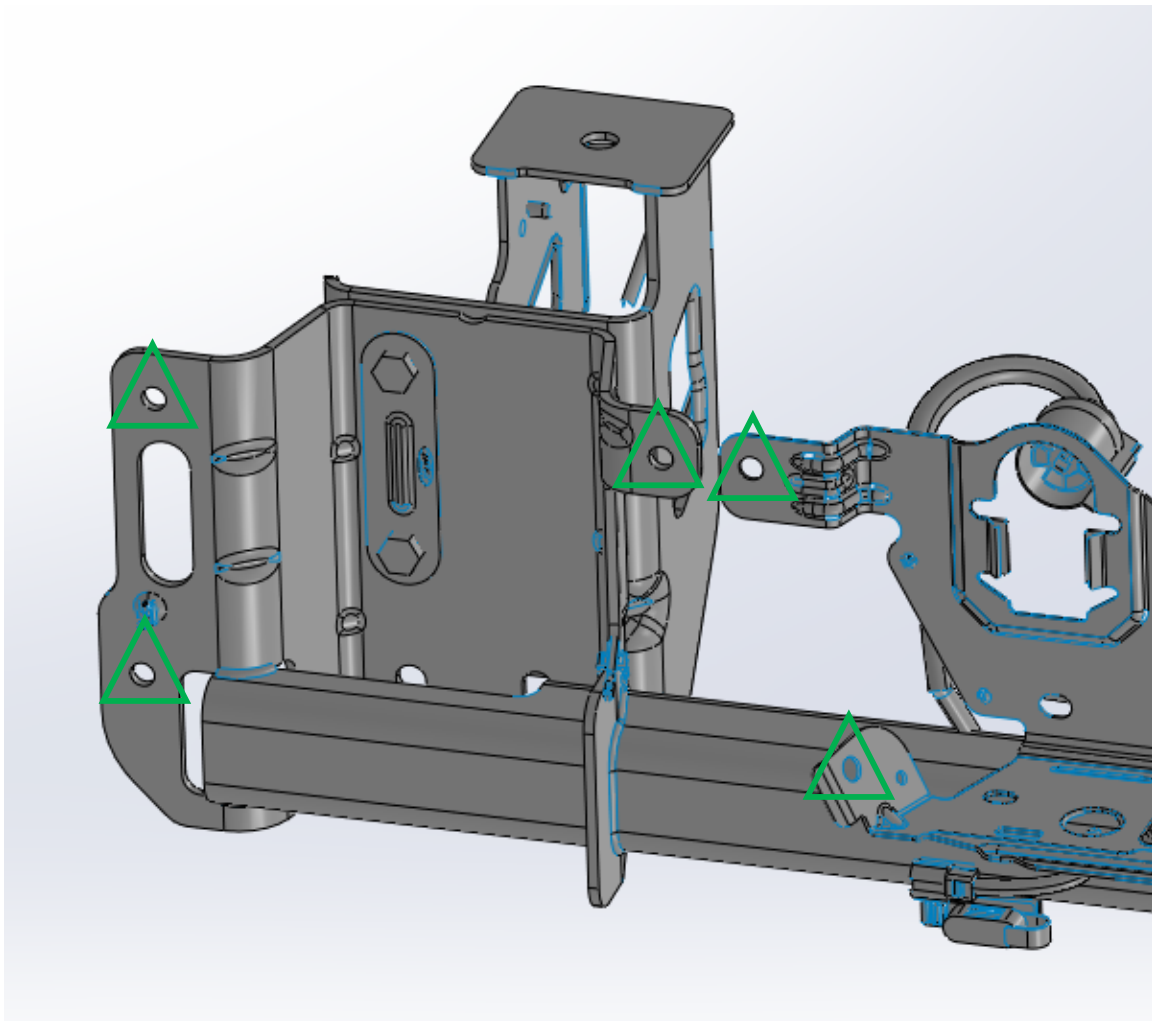


Figure 4c (5x Bolt Locations Per Side)





Installation Instructions

2015 FORD F150 Rear Bumper

Product Number: T3250

Application: 2015+ FORD F150

IV. Installation

NOTE: The Following Installation steps apply to the installation of the Rear Bumper. PLEASE READ THE ENTIRE MANUAL BEFORE ATEMPTING INSTALLATION! Ignoring these steps will increase your probability of scratching the vehicle during product Installation!

- 1. Remove the Bumper from the shipping carton. Lay all items out on a blanket to prevent damage to the powder coating.**
- 2. Install license plate inserts, backup sensor grommets with plugs, trailer plug (Ref. Figure 5 a-c), tag light (Ref. Figure 6a-b).**

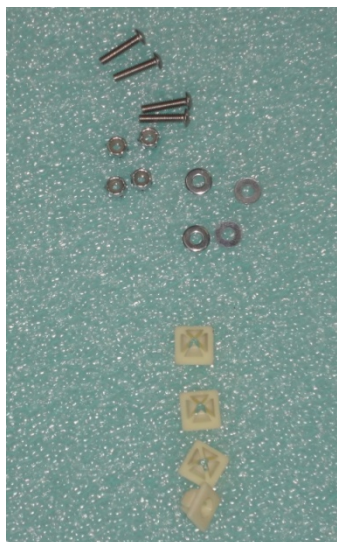


Figure 5a

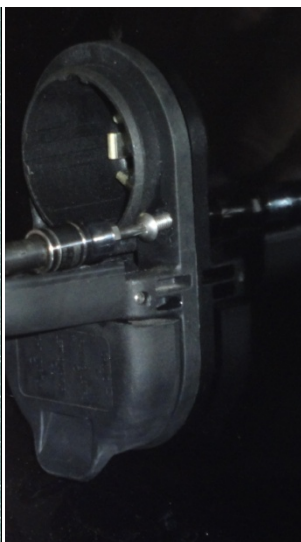


Figure 5b

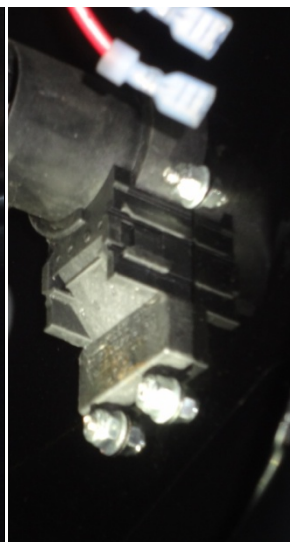


Figure 5c





Installation Instructions

2015 FORD F150 Rear Bumper

Product Number: T3250

Application: 2015+ FORD F150

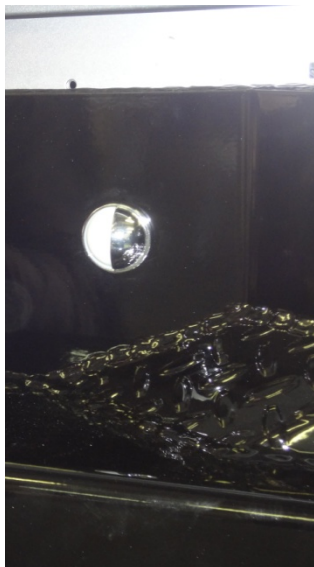


Figure 6a



Figure 6b

- 3. Insert backup light into grommet (Ref. Figure 7a), then insert grommet into slot remembering to raise lip for secure fit (Ref. Figure 7b).**



Figure 7a



Figure 7b

- 4. Disconnect the factory harness from the OEM bumper. Attach wiring to lights, sensors (if available), and trailer plug. Wire the backup lights as desired. Use zip-ties to secure excess wiring. Do not connect until Fab Fours bumper is installed.**





Installation Instructions

2015 FORD F150 Rear Bumper

Product Number: T3250

Application: 2015+ FORD F150

5. With the help of two friends and possibly a floor jack to help support the center of the bumper lift the Fab Fours bumper into place.
6. *With the bumper held in place insert 7/16" bolts through slots in internal mounting plates, indicated by red arrows, bolts should face toward bumper. Leave bolts loose. See Image Below.*

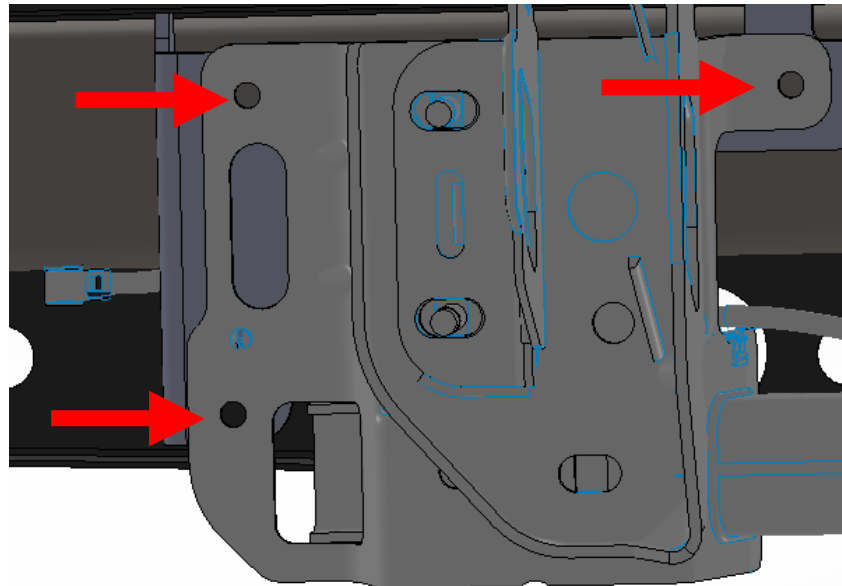


Figure 8

7. Align the bumper side to side and low to ensure a good fit to the truck. Allow for a 0.375" clearance to all painted surfaces, if possible, to allow for frame flex.
8. *Check that the tailgate does not interfere with the bumper by opening it very carefully and lowering it into place. If tailgate is too close to the bumper, adjust bumper lower.*
9. *Fully tighten all fasteners between bumper and brackets and brackets and frame.*





Installation Instructions

2015 FORD F150 Rear Bumper

Product Number: T3250

Application: 2015+ FORD F150

10. *Install supplied license plate plastic nut inserts and license plate.*
11. *Enjoy your New Rear Replacement Bumper from Fab Fours!*

V. Maintenance/Care

- Periodically check and tighten all fasteners.
- Stripped, fractured, or bent bolts or nuts need to be replaced.



More than expected... Better than expected.

