



Installation Instructions

BS/BSE Front Bumper

Product Number: K3260, K3261, K3262, R3260, R3261, R3262

Application: 2015 Ford F150

SAFETY

Your safety and the safety of others is very important.

- In order to help you make informed decisions about safety, we have provided installation instructions and other information.
- These instructions alert you to potential injury hazards.
- Please do a job safety analysis before each task to identify potential hazards for your situation and remove/protect against them.
- You must use your own good judgment.
- Read and understand all safety precautions and instructions before installing this product.

**THIS PRODUCT IS FOR OFFROAD USE ONLY. ALL LIABILITY FOR
INSTALLATION AND USE RESTS WITH THE OWNER.**

**CARELESS INSTALLATION AND OPERATION CAN RESULT IN SERIOUS INJURY
OR EQUIPMENT DAMAGE.**

Injury hazard

Failure to observe these instructions could lead to severe injury or death.

- Always remove jewelry and wear eye protection.
- Always use extreme caution when jacking up a vehicle for work. Set emergency brake and use tire blocks. Locate and use the vehicle manufacturers designated lifting points. Use jack stands.
- Always use appropriate and adequate care in lifting components into place.
- Always insure components will remain secure during installation and operation.
- Always wear safety glasses when installing this kit. A drilling operation will cause flying metal chips. Flying chips can cause serious eye injury.
- Always use extreme caution when drilling on a vehicle. Thoroughly inspect the area to be drilled (on both sides of material) prior to drilling, and relocate any objects that may be damaged.
- Always use extreme caution when cutting and trimming during fitting.
- Always tighten all nuts and bolts securely per installation instructions.
- Always route electrical cables carefully. Avoid moving parts, components that become hot and rough or sharp edges.
- Always insulate and protect all exposed wiring and electrical terminals.
- Always perform regular inspections and maintenance on mounts and related hardware.





Installation Instructions BS/BSE Front Bumper

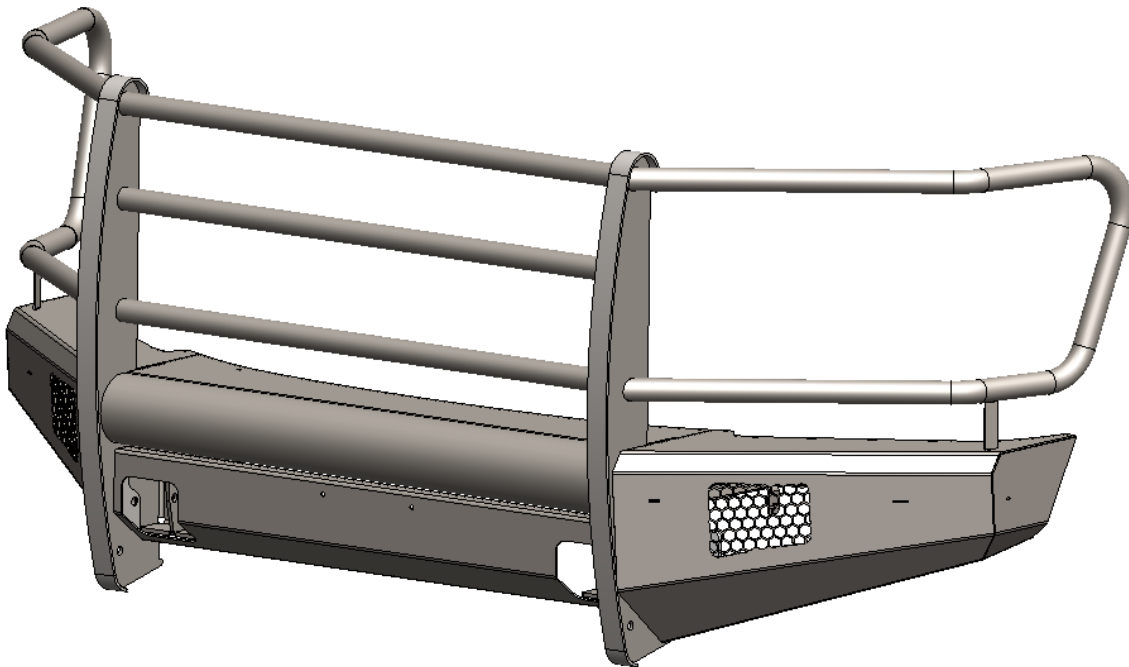
Product Number: K3260, K3261, K3262, R3260, R3261, R3262
Application: 2015 Ford F150

I. Overview

Congratulations on your new purchase of the industries' best and most stylish front bumper available for the 2015+ Ford F150! This bumper has been engineered for strength while keeping the weight down.

Your front bumper is designed in 3-D from digitized data, CNC laser cut, fabricated, and powder coated... all in the U.S.A.

Enjoy the fit and finish of a quality 2015+ Ford F150 Front Bumper from Fab Fours!



Parts List

- K/R326X replacement bumper
- 50016-HW fastener kit
- 20260-HW fastener kit
- Lower Guard
- 2 x tow hooks
- Instruction Manual

Tools Required

- Socket Wrench with Extension (Ratcheting wrenches may also be convenient)
- 4mm, 10mm, 11mm, 15mm, 18mm, 21mm, 7/16, 3/4 Sockets and Ratchet Wrenches
- Flathead Screwdrivers
- Floor jack and wood block
- Due to the limited space, a ratchet with a 3/8" driver, and shorter socket are also recommended.

II. Removal of OEM Bumper

NOTE: SAVE ALL OEM PARTS UNTIL INSTALLATION IS COMPLETE!

- A. Using a flathead screwdriver, carefully remove center plastic piece, indicated by oval in the center of the OE bumper.**



Figure 1a

Installation Instructions BS/BSE Front Bumper

Product Number: K3260, K3261, K3262, R3260, R3261, R3262
Application: 2015 Ford F150



Figure 1b

- B.** Using 21 mm socket, remove the three nuts per side, two are located under the plastic center piece (ref. fig. 2a-b) and the third accessible from the back of the frame (ref. fig. 2c). If front OEM bumper contains sonar (ref. fig. 2b), remove four bolts with 11 mm. If your bumper includes a sonar device, remove it now using a 12 point, 4mm socket. Unplug the device.



Figure 2a



Figure 2b

Installation Instructions BS/BSE Front Bumper

Product Number: K3260, K3261, K3262, R3260, R3261, R3262
Application: 2015 Ford F150

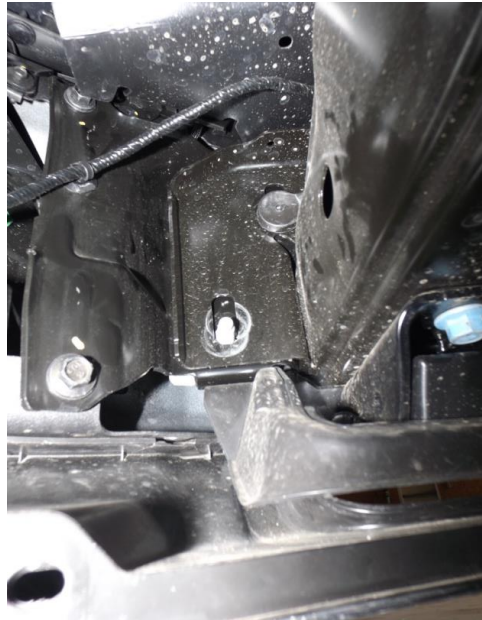


Figure 2c

- C. To remove the electrical harness, unplug fog light and remove one (1) Christmas tree plug on each side. At this time, carefully pull away bumper checking to make sure nothing is still connected.
- D. Pull rubber covers off the tow hooks. Use a 15 mm socket to remove the two bolts per side holding the tow hook in place.



Figure 3

- E. Slide out both nut strips from the frame channel when done.

- F. If your vehicle model includes a louver system for the intercooler located between the frame mounts, the shroud must be removed. Special care must be taken not to damage louvers when cutting around the base of the rectangular shroud, a cut off wheel is recommended.



Figure 4 (Louver w/ shroud cut away at base)

Installation Instructions BS/BSE Front Bumper

Product Number: K3260, K3261, K3262, R3260, R3261, R3262
Application: 2015 Ford F150

- G. Remove the push pins that hold the rubber piece under the headlights. Pull away.



Figure 5

- H. Remove fog lights from OEM bumper, unscrew with Phillips head screwdriver, refer to circle below, and pop sides out with flathead screwdriver to remove from fog light housing refer to squares below.

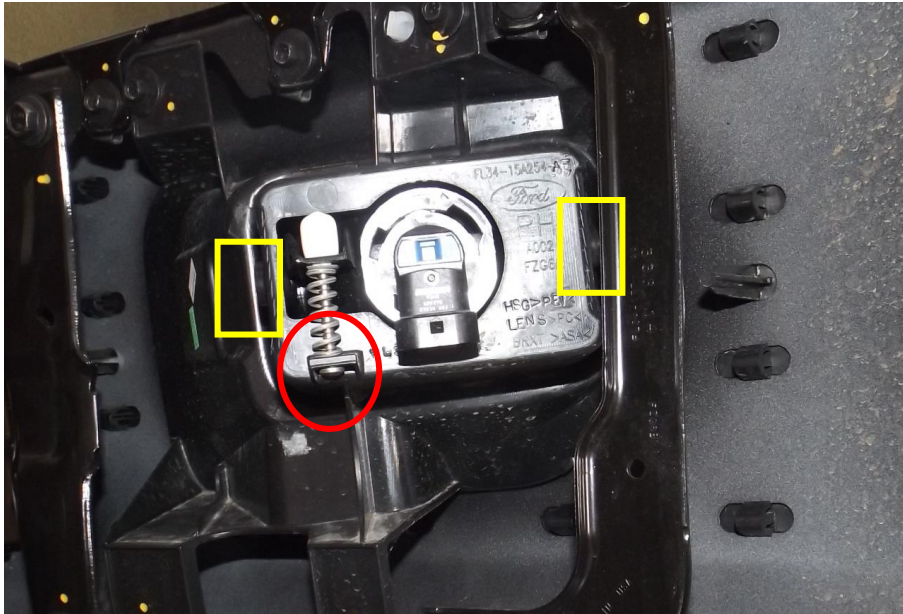


Figure 6

III. Pre-Installation

NOTE: The following installation steps apply to the installation of the Front Bumper. **PLEASE READ THE ENTIRE MANUAL BEFORE ATTEMPTING INSTALLATION!** Ignoring these steps will increase your probability of scratching the vehicle during product.

- A. Remove the bumper from the shipping carton. Lay all items out on a blanket to prevent damage to the powder coating.
- B. Install the OEM fog lights make sure that slant of fog light matches slant of bumper wing (This may be opposite of how they were installed in the OEM bumper.) Mount fog lights by popping side protrusions into holes on flanges and inserting screw with spring through the top holes (Ref figure 7).
- C. Screw indicated by the yellow square will adjust fog light up and down to help center. (Ref. Figure 7).

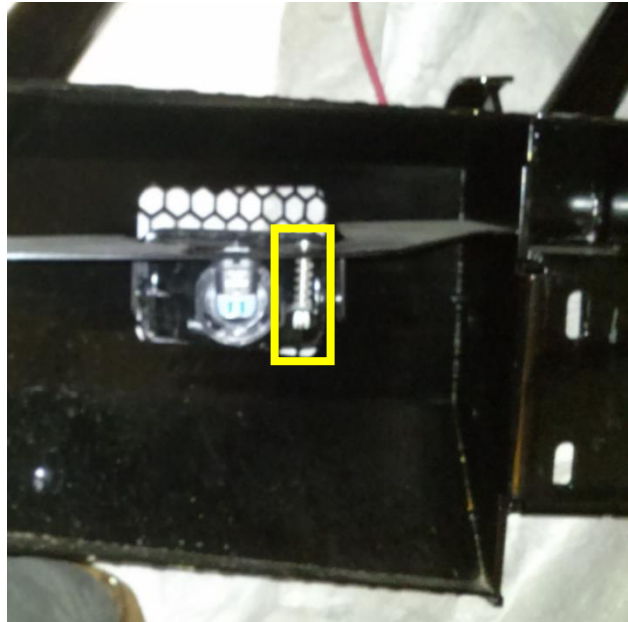


Figure 7

Optional: If installing winch and roller fairlead into bumper, do it at this time. Follow the winch manufacturer's instructions for installation.

III. Front Bumper Installation

- A. Mount brackets to truck frame. Slide the bracket into the frame and lining front slots up with holes. Two bolts with lock and flat washers will screw into the bottom holes (ref. fig. 8a) on each side and two bolts with washers and nut will screw into front face (ref. fig. 8b). **Do Not Fully Tighten, Hand Tighten Only!**



Figure 8a



Figure 8b

- B. With the help of at least two other people and a floor jack (recommended), carefully place bumper on truck matching the mounting faces of the bumper with bracket. Due to limited space between bracket and frame, it is recommended that bolts are inserted through slots toward truck (ref. fig. 9).

Installation Instructions BS/BSE Front Bumper

Product Number: K3260, K3261, K3262, R3260, R3261, R3262
Application: 2015 Ford F150

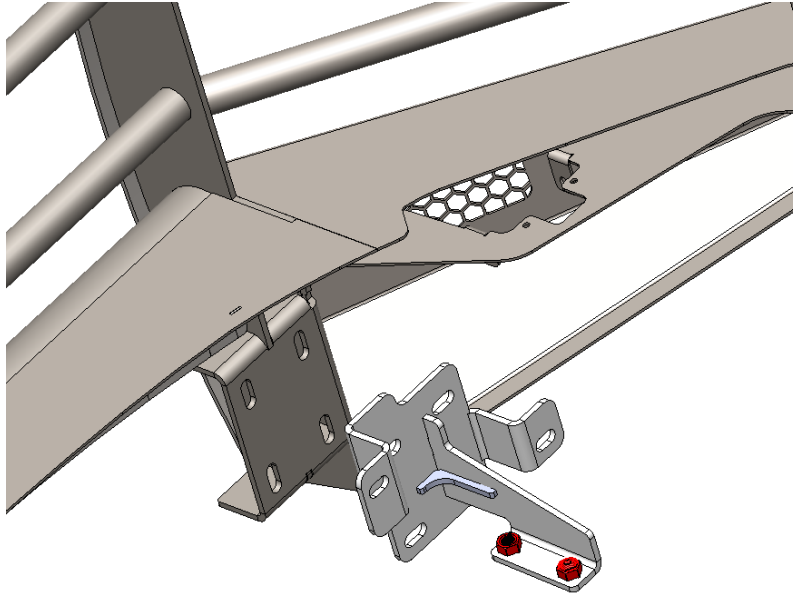


Figure 9

- C. Align the bumper side to side and top to bottom to ensure a perfect fit to the truck. Allow at least 0.375" of clearance from all painted surfaces if possible.
- D. Fully tighten all fasteners between bumper and brackets as well as brackets and frame.
- E. Starting with the top bolts fully tighten all fasteners between bumper and brackets
- F. Install the lower guard and tow hooks. Two bolts on each side for each item are required (Ref. 10a-b).

Installation Instructions BS/BSE Front Bumper

Product Number: K3260, K3261, K3262, R3260, R3261, R3262
Application: 2015 Ford F150

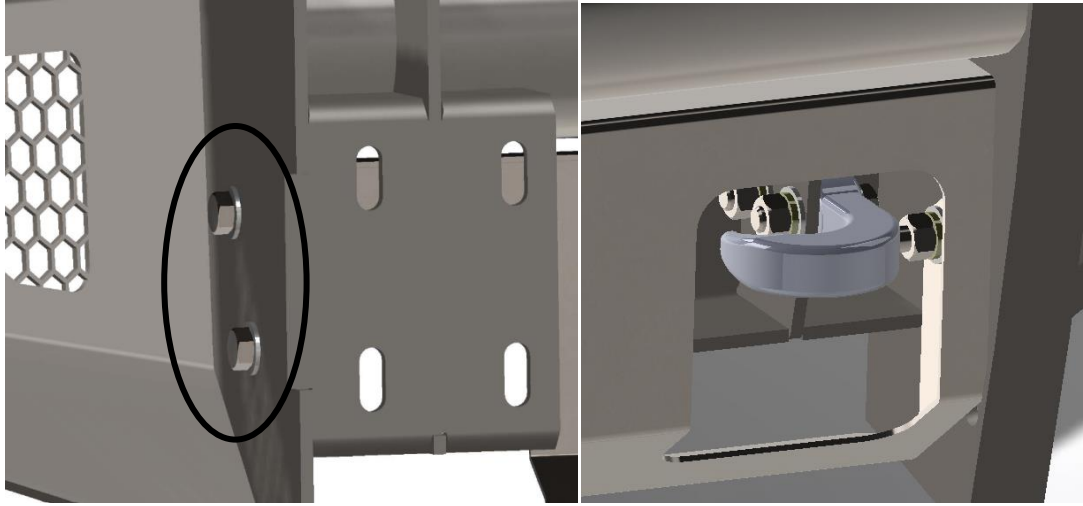


Figure 10a (bolt location for lower guard)

Figure 10b (tow hook mounting location)

G. The fog light may be connected at this time. To do so, connect OEM Harness back to OEM fog lights and secure excess wiring to bumper.

H. Enjoy your new Fab Fours front replacement bumper!

Bumper Maintenance & Care

- Periodically check and tighten all fasteners.
- Stripped, fractured, or bent bolts or nuts need to be replaced.
- After washing of the vehicle make sure to fully dry all surfaces



More than expected... Better than expected.