



# Installation Instructions

## Vengeance Front Bumper

Product Number: V4051, V4052

Application: 2016+ Dodge Ram HD

---

### SAFETY

---

#### Your safety and the safety of others is very important.

- In order to help you make informed decisions about safety, we have provided installation instructions and other information.
- These instructions alert you to potential injury hazards.
- Please do a job safety analysis before each task to identify potential hazards for your situation and remove/protect against them.
- You must use your own good judgment.
- Read and understand all safety precautions and instructions before installing this product.

**THIS PRODUCT IS FOR OFFROAD USE ONLY. ALL LIABILITY FOR  
INSTALLATION AND USE RESTS WITH THE OWNER.  
CARELESS INSTALLATION AND OPERATION CAN RESULT IN SERIOUS  
INJURY OR EQUIPMENT DAMAGE.  
SENSORS FIELD OF VIEW WILL BE ALTERED WITH USE OF THE  
REPLACEMENT BUMPER.**

---

### Injury hazard

---

#### Failure to observe these instructions could lead to severe injury or death.

- Always remove jewelry and wear eye protection.
- Always use extreme caution when jacking up a vehicle for work. Set emergency brake and use tire blocks. Locate and use the vehicle manufacturers designated lifting points. Use jack stands.
- Always use appropriate and adequate care in lifting components into place.
- Always insure components will remain secure during installation and operation.
- Always wear safety glasses when installing this kit. A drilling operation will cause flying metal chips. Flying chips can cause serious eye injury.
- Always use extreme caution when drilling on a vehicle. Thoroughly inspect the area to be drilled (on both sides of material) prior to drilling, and relocate any objects that may be damaged.
- Always use extreme caution when cutting and trimming during fitting.
- Always tighten all nuts and bolts securely per installation instructions.
- Always route electrical cables carefully. Avoid moving parts, components that become hot and rough or sharp edges.
- Always insulate and protect all exposed wiring and electrical terminals.
- Always perform regular inspections and maintenance on mounts and related hardware.





# Installation Instructions

## Vengeance Front Bumper

Product Number: V4051, V4052

Application: 2016+ Dodge Ram HD

### I. Overview

Congratulations on your new purchase of the industries' best and most stylish front bumper available for the 2016+ Dodge Ram HD. This bumper has been designed to be lightweight and easily customized with the industry's highest quality accessories.

Your front bumper designed in 3-D from digitized data, CNC laser cut, fabricated, and powder coated... all in the U.S.A.

Enjoy the fit and finish of a quality Vengeance Dodge Ram HD Front Bumper from Fab Fours Inc.





## Installation Instructions

### Vengeance Front Bumper

Product Number: V4051, V4052

Application: 2016+ Dodge Ram HD

### Parts List

- V405X Replacement Bumper
- 50035-HW hardware kit
- 4x (20296) stud plates
- Instruction Manual

### Tools Required

- Socket Wrench with Extension (Ratcheting wrenches may also be convenient)
- 7mm, 10mm, 15mm, 18mm, 19mm, 3/4 Sockets and Box End Wrenches
- Flat head screw drivers
- Floor jack, jack stands, and/or a wood block.
- 4 1/2" angle grinder with cut off wheel
- Tape measure
- White or silver marking pen

## II. Removal of OEM Bumper

**Note: Save all OEM parts until installation is complete!**

- A. If equipped, unplug the OEM fog light harness and sensor harness from under the driver's side headlamp.*
- B. Remove the lower air dam by popping out the plastic push clips.*
- C. With the bumper supported, remove the four nuts per side attaching the bumper to the bumper brackets. Use caution to not damage the intercooler or radiator fins while lifting the assembly. (See figure 2, arrows for locations)*
- D. Pull forward to remove the OEM bumper assembly and set aside*
- E. if equipped, remove sensors and sensor housing from the bumper along with the sensor and fog light harness. All sensor housing will have to be placed into the Fab Fours bumper in the same location as they were removed from the oem bumper. (e.g. outer right sensor clip must go into the outer right sensor hole in the Fab Fours bumper.*





## Installation Instructions

### Vengeance Front Bumper

Product Number: V4051, V4052

Application: 2016+ Dodge Ram HD

**F. If equipped, unbolt the Tow hooks from the bumper brackets.**

**G. If equipped, unbolt the under-run guards from the frame rails with a 24mm socket**

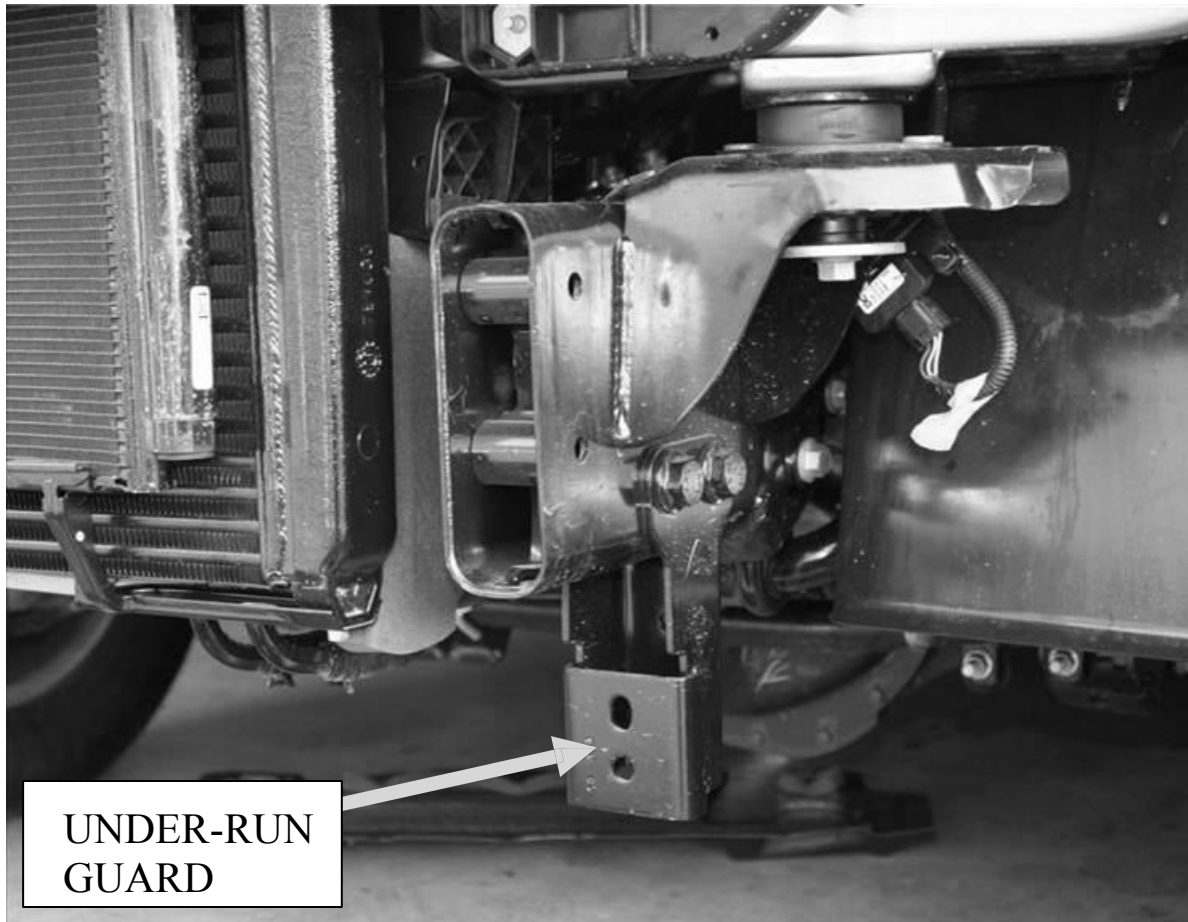


Figure 1 – FRAME UNDER-RUN GUARD (IF EQUIPPED)





# Installation Instructions

## Vengeance Front Bumper

Product Number: V4051, V4052

Application: 2016+ Dodge Ram HD

### III. Pre-Installation

**NOTE: PLEASE READ THE ENTIRE MANUAL BEFORE ATTEMPTING INSTALLATION!**

*Ignoring these steps will increase your probability of scratching the vehicle during product installation.*

A. Using the tape measure and pen, mark the bumper brackets to be cut at an angle on the bottom outer corner. Mark 4.5" in from the outer edge and 2.5" up from the bottom edge, then connect them to create the cut line. (See figures below)

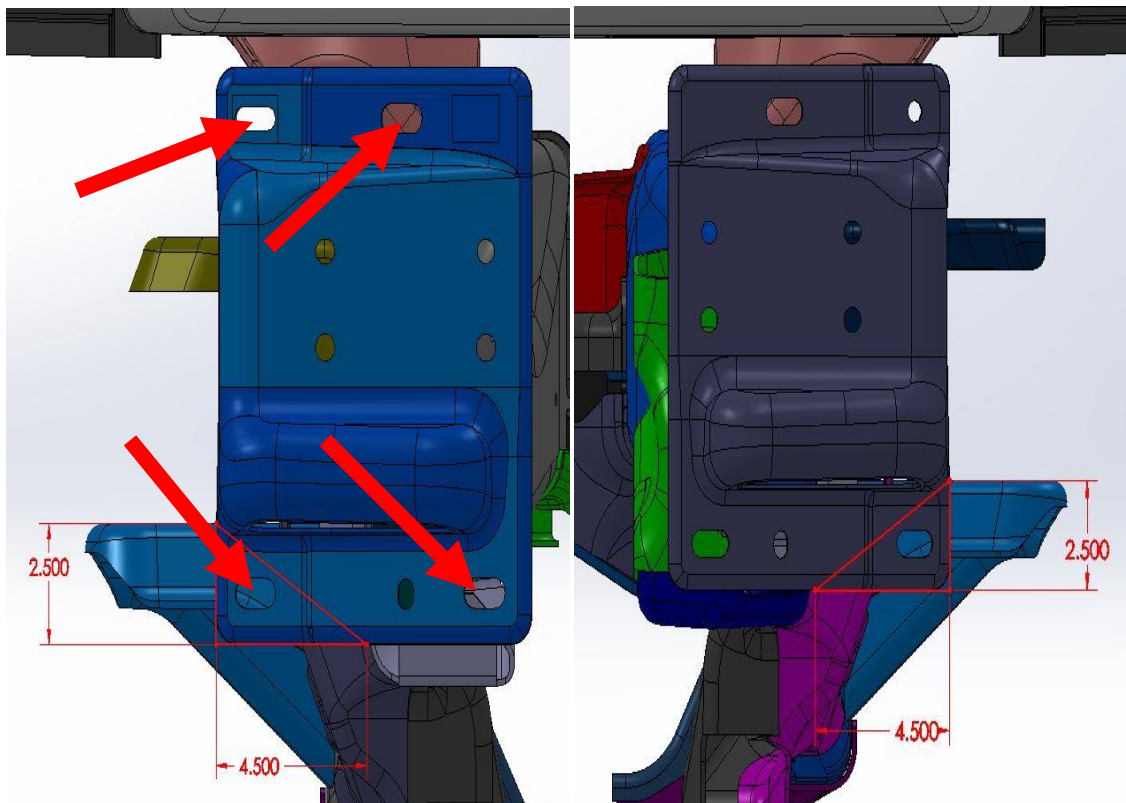


Figure 2 – Passenger side bracket

Figure 3 – Drivers side bracket





## Installation Instructions

### Vengeance Front Bumper

Product Number: V4051, V4052

Application: 2016+ Dodge Ram HD



Figure 4 – Drivers side as marked

**B. Using a 4 ½" angle grinder, or similar tool, cut off the bottom corner of the brackets following the cut line marked. (See Figure 5)**



Figure 5 – Drivers side cut



## Installation Instructions

### Vengeance Front Bumper

Product Number: V4051, V4052

Application: 2016+ Dodge Ram HD

**C.** *Remove the bumper from the shipping carton. Lay all items out on a blanket to prevent damage to the powder coating.*

**D.** *For sensor installation run sensor harness through mounting plates. Re install sensor housing and sensors making sure that the clear plastic grommet is on properly and sensors appear centered in their housings. DO NOT EPOXY AT THIS TIME.*





# Installation Instructions

## Vengeance Front Bumper

Product Number: V4051, V4052

Application: 2016+ Dodge Ram HD





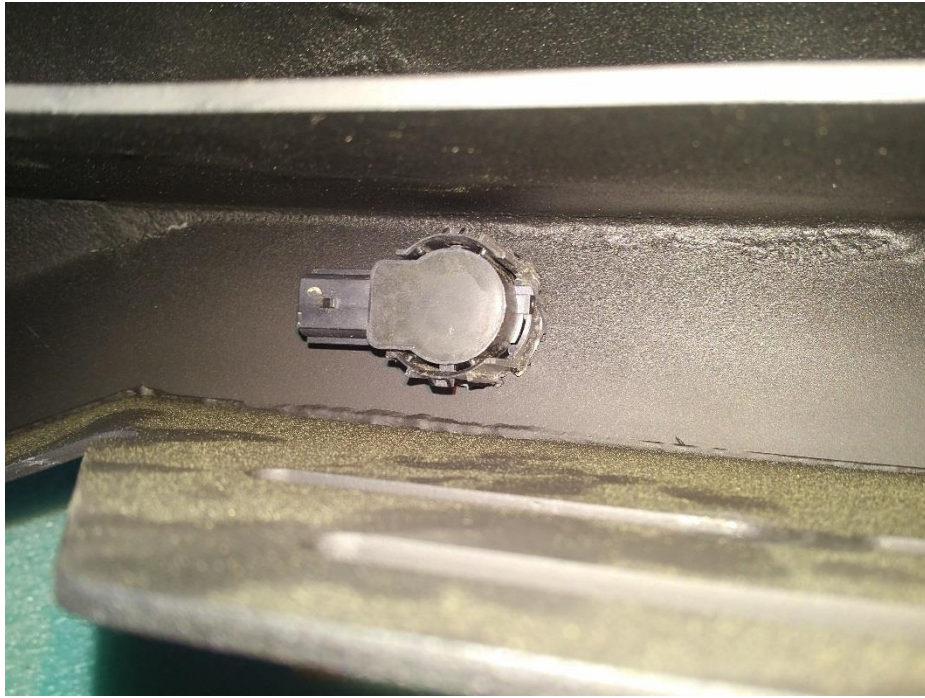


# Installation Instructions

## Vengeance Front Bumper

Product Number: V4051, V4052

Application: 2016+ Dodge Ram HD





# Installation Instructions

## Vengeance Front Bumper

Product Number: V4051, V4052

Application: 2016+ Dodge Ram HD





## Installation Instructions

### Vengeance Front Bumper

Product Number: V4051, V4052

Application: 2016+ Dodge Ram HD

*E. After assuring sensors work in current orientation epoxy should be applied to the housing on inside of bumper and allowed to dry.*

#### IV. Front Bumper Installation

- A. Mount the bumper to the truck. With the help of at least two others, and possibly a floor jack to support the center of the bumper, lift the Fab Fours bumper into place.*
- B. Insert the stud plates through the flanges on the bumper and through the OEM bumper bracket. Install four nuts, washers, and lock washers per side onto the studs. DO NOT FULLY TIGHTEN. These stud plates can be accessed through the cutouts on the bottom of your bumper.*
- C. Align the bumper top to bottom to ensure a perfect fit to the truck. Allow clearance to all painted surface; this is to allow for frame flex.*
- D. Fully tighten all fasteners between bumper and the truck.*
- E. Enjoy your New Front Replacement Bumper from Fab Fours!*





## Installation Instructions

### Vengeance Front Bumper

Product Number: V4051, V4052

Application: 2016+ Dodge Ram HD

#### V. Maintenance/Care

- Periodically check and tighten all fasteners.
- Stripped, fractured, or bent bolts or nuts need to be replaced.
- After washing of the vehicle make sure to fully dry all surfaces



More than expected... Better than expected.

