



Installation Instructions

BS/BSE Front Bumper

Product Number: K2960, K2961, K2962,
R2960, R2961, R2962,

Application: 2013-2015 Dodge 1500

SAFETY

Your safety and the safety of others is very important.

- In order to help you make informed decisions about safety, we have provided installation instructions and other information.
- These instructions alert you to potential injury hazards.
- Please do a job safety analysis before each task to identify potential hazards for your situation and remove/protect against them.
- You must use your own good judgment.
- Read and understand all safety precautions and instructions before installing this product.

**THIS PRODUCT IS FOR OFFROAD USE ONLY. ALL LIABILITY FOR
INSTALLATION AND USE RESTS WITH THE OWNER.**

**CARELESS INSTALLATION AND OPERATION CAN RESULT IN SERIOUS INJURY
OR EQUIPMENT DAMAGE.**

Injury hazard

Failure to observe these instructions could lead to severe injury or death.

- Always remove jewelry and wear eye protection.
- Always use extreme caution when jacking up a vehicle for work. Set emergency brake and use tire blocks. Locate and use the vehicle manufacturers designated lifting points. Use jack stands.
- Always use appropriate and adequate care in lifting components into place.
- Always insure components will remain secure during installation and operation.
- Always wear safety glasses when installing this kit. A drilling operation will cause flying metal chips. Flying chips can cause serious eye injury.
- Always use extreme caution when drilling on a vehicle. Thoroughly inspect the area to be drilled (on both sides of material) prior to drilling, and relocate any objects that may be damaged.
- Always use extreme caution when cutting and trimming during fitting.
- Always tighten all nuts and bolts securely per installation instructions.
- Always route electrical cables carefully. Avoid moving parts, components that become hot and rough or sharp edges.
- Always insulate and protect all exposed wiring and electrical terminals.
- Always perform regular inspections and maintenance on mounts and related hardware.





Installation Instructions

BS/BSE Front Bumper

Product Number: K2960, K2961, K2962,
R2960, R2961, R2962,

Application: 2013-2015 Dodge 1500

I. Overview

Congratulations on your new purchase of the industries' best and most stylish Front Bumper available for the 2013-2015 Dodge 1500! This bumper has been engineered for strength while keeping the weight down.

Your front bumper is designed in 3-D from digitized data, CNC laser cut, fabricated, and powder coated... all in the U.S.A.

Enjoy the fit and finish of a quality Dodge 1500 Front Bumper from Fab Fours!



Parts List

- K/R295X replacement bumper
- 50010-HW fastener kit
- 20260-HW fastener kit
- 20482 lower guard
- 2 x tow hooks
- Instruction Manual

Tools Required

- Socket Wrench with Extension (Ratcheting wrenches may also be convenient)
- 7mm, 10mm, 15mm, 18mm, 19mm, 7/16, 3/4 Sockets and Box End Wrenches
- Flat Head Screwdrivers
- Floor jack and wood block
- Due to the limited space, a ratchet with a 3/8" driver and a shorter socket are also recommended.

II. Removal of OEM Bumper

NOTE: SAVE ALL OEM PARTS UNTIL INSTALLATION IS COMPLETE!

- A. Open hood and locate push pins on radiator cover. Using a flat head screwdriver, pull the head of the push pins up, remove push pin and lift radiator cover off. This will allow access to top grill bolts. (Ref. Figure 1).

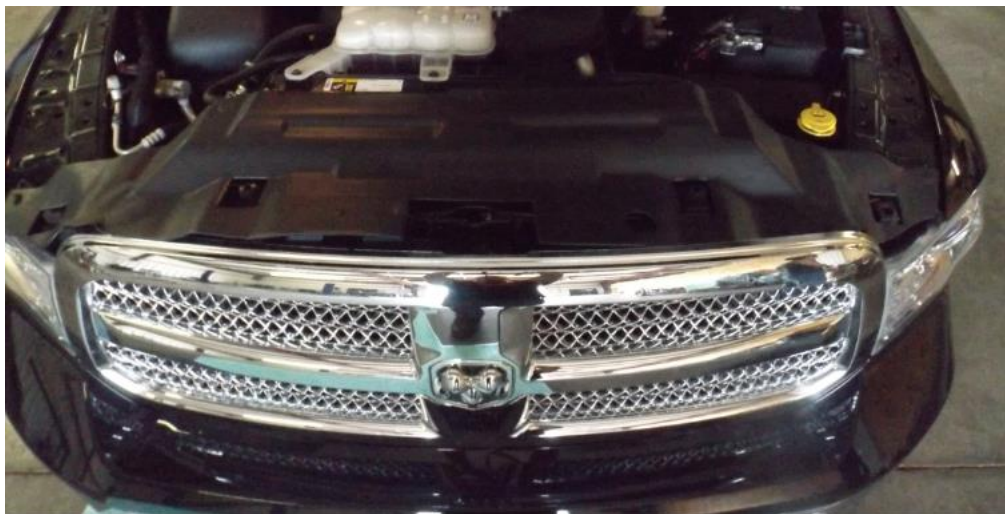


Figure 1

Installation Instructions

BS/BSE Front Bumper

Product Number: K2960, K2961, K2962,
R2960, R2961, R2962,

Application: 2013-2015 Dodge 1500

- B. Remove the fasteners connecting the grill to the frame. Four bolts are located at the top of the grill and two pins are located behind the grill at the bottom.



- C. Remove fender flares from the vehicle. Unfasten the screws located in the wheel well, connecting the wheel well liner and the fender flares to the vehicle. (Ref. Figure 2a)
Carefully pull both the fender flare and liner away from the vehicle. This will provide access to the interior cavity. (Ref. Figure 2b)



Figure 2a

Installation Instructions

BS/BSE Front Bumper

Product Number: K2960, K2961, K2962,
R2960, R2961, R2962,

Application: 2013-2015 Dodge 1500



Figure 2b

- D. Removal of the headlight helps with accessing the bolts that hold the corners of the valences. To remove the headlights, unscrew the bolts indicated in Figure 3a. Reaching behind the headlight via the wheel well cavity, pull down on the white plastic clip. Carefully pull the headlight away from truck.



Figure 3a

Installation Instructions

BS/BSE Front Bumper

Product Number: K2960, K2961, K2962,
R2960, R2961, R2962,

Application: 2013-2015 Dodge 1500



Figure 3b

- E. At this point the valence is still held in place by the black “backing support” secured to the frame by hex head screws, as well as screws at the front and corner of the valence (Ref. Figures 4a-c). Remove screws indicated in figures a through b and carefully remove valence from backing support.



Figure 4a



Figure 4b



Figure 4c

- F. Disconnect the electrical and sensor harnesses from vehicle. Both will be located on the driver side of the vehicle. (Ref. Figures 5a-b)

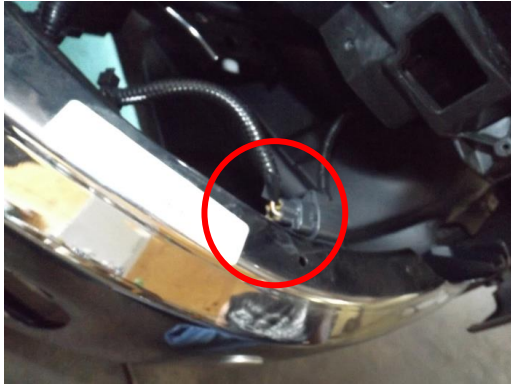


Figure 5a



Figure 5b

- G. Remove the three bolts securing tow hooks to frame and save the OEM bottom bolt for later installation.



Figure 6a

Figure 6b

- H. Remove the fasteners connecting the bumper to the frame. Using a socket/wrench remove bolts from the back of the bracket connected to the bumper. Pull bumper away from vehicle. Repeat process on each side of vehicle. (Ref. Figures 7a-b)



Figure 7a



Figure 7b

- I. Replace grill by reversing the order of relevant removal steps.

III. Pre-Installation

NOTE: The following installation steps apply to the installation of the Front Bumper.
PLEASE READ THE ENTIRE MANUAL BEFORE ATTEMPTING INSTALLATION!
Ignoring these steps will increase your probability of scratching the vehicle during product.

- A. Remove the Bumper from the shipping carton. Lay all items out on a blanket to prevent damage to the powder coating.
- B. Install the OEM fog lights onto the mounting brackets using 3 quarter inch bolts with flat washers on both sides. Bolt locations are indicated with red circles in the below image.
- C. Nob indicated by the yellow square will adjust fog light up and down to help center. (Ref. Figure 7).

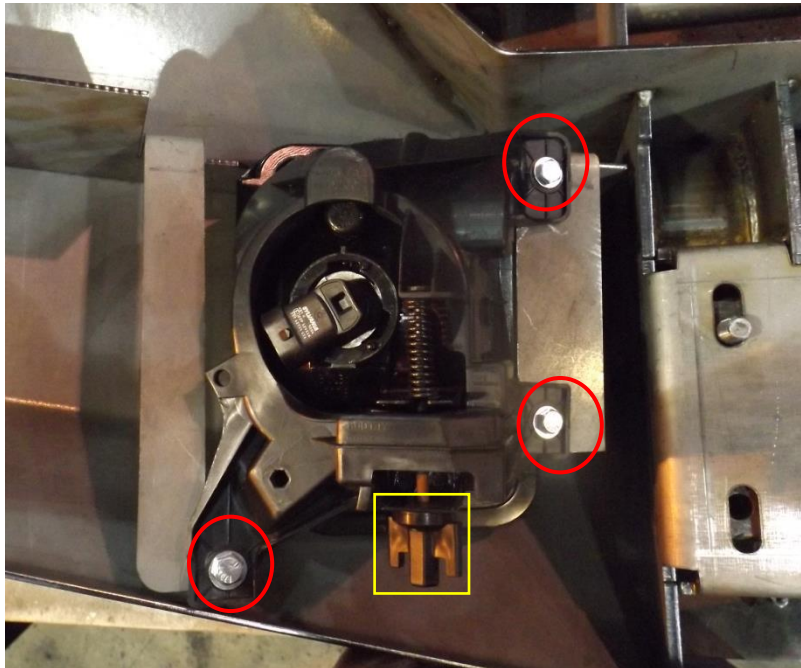


Figure 7

Optional: If installing winch and roller fairlead into bumper, do it at this time. Follow the winch manufacturer's instructions for installation.

If not installing a winch, the lower guard may be installed at this time.

III. Front Bumper Installation

- A. Slide the nut plate, indicated by the red square (ref. figure 8a), into the bracket. Mount bracket to bumper, using the 8 - 1/2" bolts with *flat washer and lock washer* lined up nut plates to the slots (ref. figure 8b). Utilizing the help of at least two others and a floor jack to support/level the center of the bumper, lift the Fab Fours bumper into place. **Do Not Fully Tighten, Hand Tighten Only!**

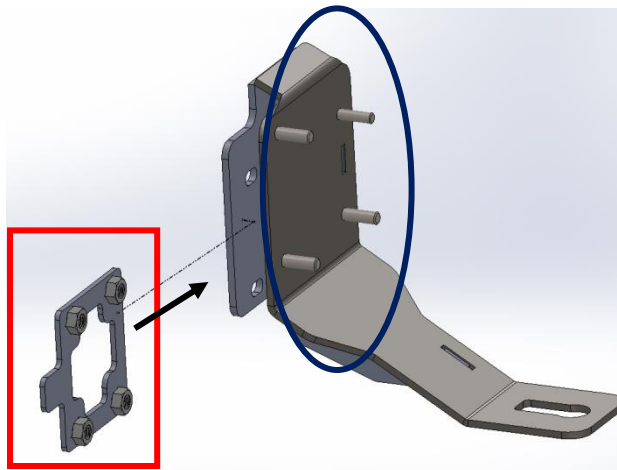


Figure 8a

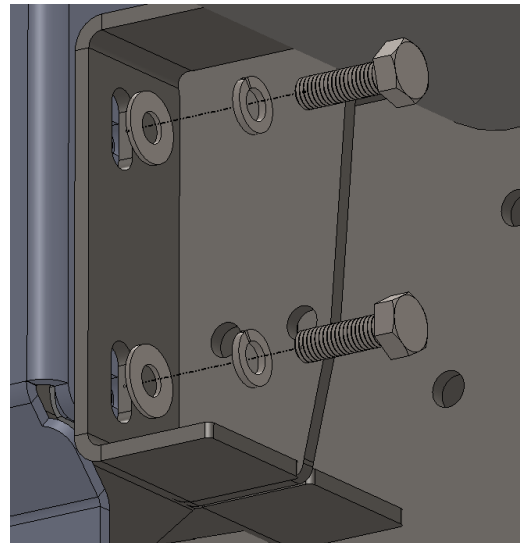


Figure 8b

Installation Instructions

BS/BSE Front Bumper

Product Number: K2960, K2961, K2962,
R2960, R2961, R2962,

Application: 2013-2015 Dodge 1500

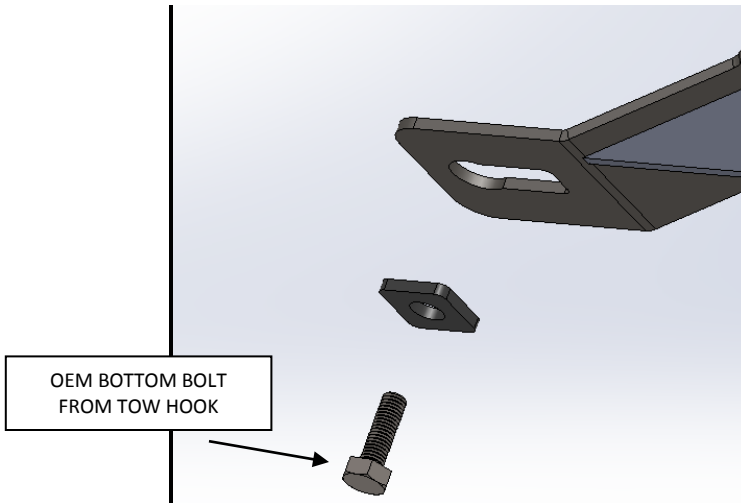


Figure 8c



Figure 8d

- B. Mount brackets to truck frame. Four studs pass through the front of the frame and are indicated by the blue oval (ref. figure 8a). Use the OEM tow hook bottom bolt (that was saved from initial removal (Ref. Figure 6d)) to pass through the spacer, bottom of bracket, and then screw into the frame (Ref. Figures 8c-d). All bolts should be hand tight to allow for adjustment.
- C. Align the bumper side to side and top to bottom to ensure a perfect fit to the truck. Allow at least 0.375" of clearance from all painted surfaces if possible.
- D. Fully tighten all fasteners between bumper and brackets as well as brackets and frame.
- E. Starting with the top bolts fully tighten all fasteners between bumper and brackets
- F. Install the lower guard and tow hooks. Two bolts on each side for each item are required (Ref. 10a-b).



Installation Instructions

BS/BSE Front Bumper

Product Number: K2960, K2961, K2962,
R2960, R2961, R2962,

Application: 2013-2015 Dodge 1500

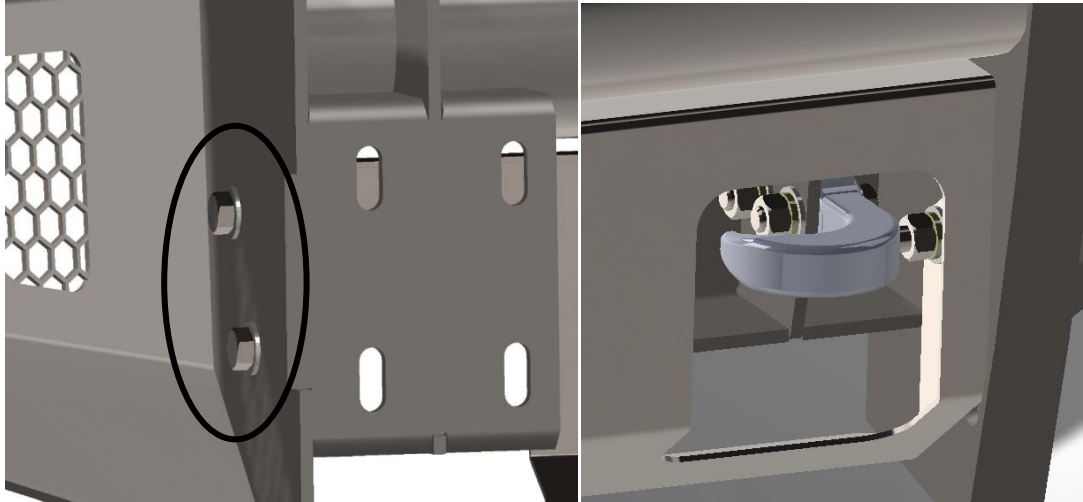


Figure 10a (bolt location for lower guard)

Figure 10b (tow hook mounting location)

G. The fog light may be connected at this time. To do so, connect OEM Harness back to OEM fog lights and secure excess wiring to bumper.

H. Enjoy your new Fab Fours front replacement bumper!





Installation Instructions

BS/BSE Front Bumper

Product Number: K2960, K2961, K2962,
R2960, R2961, R2962,

Application: 2013-2015 Dodge 1500

Bumper Maintenance & Care

- Periodically check and tighten all fasteners.
- Stripped, fractured, or bent bolts or nuts need to be replaced.
- After washing of the vehicle make sure to fully dry all surfaces



More than expected... Better than expected.

