



Made in the U.S.A.!

Installation Instructions

Dodge Ram HD Large Frame [Winch](#) Mount

Product Number: N2460

Application: 2003-2013 Dodge Ram Heavy Duty

SAFETY

Your safety and the safety of others is very important.

- In order to help you make informed decisions about safety, we have provided installation instructions and other information.
- These instructions alert you to potential hazards that could hurt you or others.
- Please do a job safety analysis (JSA) before each task to identify potential hazards for your situation and remove/protect against them.
- You must use your own good judgment, and take your time.
- **Read and understand all safety precautions and instructions before installing this product.**
- ALL LIABILITY FOR INSTALLATION AND USE OF THIS PRODUCT RESTS WITH THE OWNER.
- **CARELESS INSTALLATION AND OPERATION CAN RESULT IN SERIOUS INJURY OR EQUIPMENT DAMAGE.**

Injury Hazard

Failure to observe these instructions could lead to severe injury or death.

- Always** remove jewelry and wear eye protection.
- Always** use extreme caution when jacking up a vehicle for work. Set emergency brake and use tire blocks. Locate and use the vehicle manufacturers designated lifting points. Use jack stands.
- Always** use appropriate and adequate care in lifting components into place.
- Always** insure components will remain secure during installation and operation.
- Always** wear safety glasses when installing this kit.
- Always** use extreme caution when drilling on a vehicle. Thoroughly inspect the area to be drilled (on both sides of material) prior to drilling, and relocate any objects that may be damaged.
- Always** use extreme caution when cutting and trimming during fitting.
- Always** tighten all nuts and bolts securely per the installation instructions.
- Always** route electrical cables carefully. Avoid moving parts, components that become hot and rough or sharp edges.
- Always** insulate and protect all exposed wiring and electrical terminals.
- Always** perform regular inspection and maintenance on mounts and related hardware.

Operating Safety

- NEVER stand on the Winch Mount while the vehicle is in motion.
- Clean mud and debris off of Winch Mount prior to winch operation.

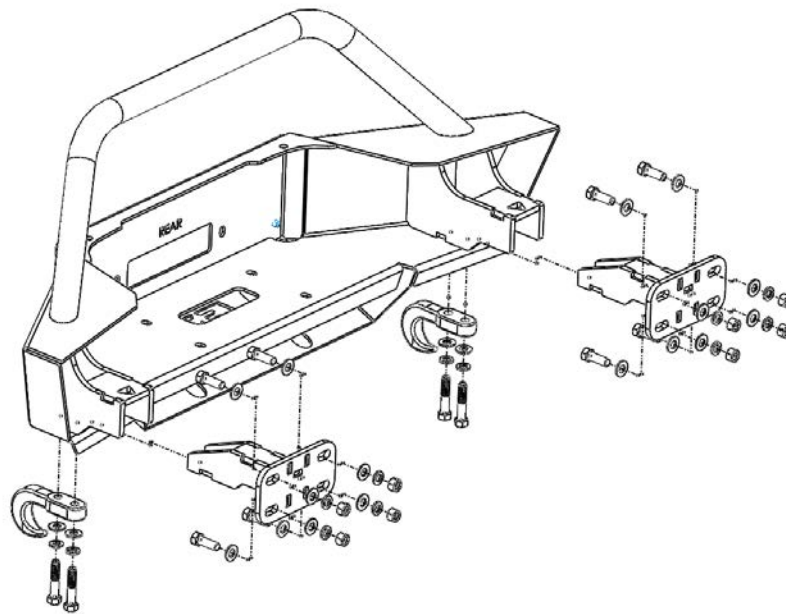
I. Tools Required

½" Drive Socket Wrench with 3" Extension, socket set, ½" Drive Torque Wrench and a wrench set.

II. Kit Contents

QTY	DESCRIPTION	FAB FOURS PART NUMBER
x 1	Winch Mount	N2460-W
x 2	Tow Hook	61366
x 1	N2450 Hardware Kit	N2450-HW
x 1	N2460 Ford Super Duty Instruction Manual	N2460-IM
x 2	N2460 Factory Bumper Mount Bracket	N2460-BR

III. Included Hardware



IV. Removal of OEM tow hooks

1. From the front of the vehicle, unscrew the Fasteners holding the OEM Tow Hooks to the Bumper. It is a good idea to support the OEM bumper during this process.

NOTE: Set aside any hardware removed as it will be re-used when installing the winch mount.

V. Installation of Fab Fours Winch Mount

1. Review the exploded parts view above
2. Loosely install the provided bumper mounting brackets to the OEM Tow Hook Locations using supplied fasteners.
3. Install the large frame winch (Customer Supplied).
4. With the aid of a lifting device or additional helpers, lift the winch mount and position it so that the mounts Align to the mounts installed in Step 2. Install the supplied 1/2" Bolts through the tow hooks and winch mount into the brackets.
5. Torque all bolts to 106 Foot-Pounds.