



# Installation Instructions

## Rear Bumper

Product Number: W1250

Application: '99-06 GM Heavy Duty

---

## SAFETY

---

### Your safety and the safety of others is very important.

- In order to help you make informed decisions about safety, we have provided installation instructions and other information.
- These instructions alert you to potential hazards that could hurt you or others.
- Please do a job safety analysis (JSA) before each task to identify potential hazards for your situation and remove/protect against them.
- You must use your own good judgment, and take your time.

**Read and understand all safety precautions and instructions before installing this product.**

THIS PRODUCT IS FOR OFFROAD USE ONLY. ALL LIABILITY FOR INSTALLATION AND USE RESTS WITH THE OWNER.

**CARELESS INSTALLATION AND OPERATION CAN RESULT IN SERIOUS INJURY OR EQUIPMENT DAMAGE.**

---

## Injury hazard

---

### Failure to observe these instructions could lead to severe injury or death.

- Always** remove jewelry and wear eye protection.
- Always** use extreme caution when jacking up a vehicle for work. Set emergency brake and use tire blocks. Locate and use the vehicle manufacturers designated lifting points. Use jack stands.
- Always** use appropriate and adequate care in lifting components into place.
- Always** insure components will remain secure during installation and operation.
- Always** wear safety glasses when installing this kit. A drilling operation will cause flying metal chips. Flying chips can cause serious eye injury.
- Always** use extreme caution when drilling on a vehicle. Thoroughly inspect the area to be drilled (on both sides of material) prior to drilling, and relocate any objects that may be damaged.
- Always** use extreme caution when cutting and trimming during fitting.
- Always** tighten all nuts and bolts securely per installation instructions.
- Always** route electrical cables carefully. Avoid moving parts, components that become hot and rough or sharp edges.
- Always** insulate and protect all exposed wiring and electrical terminals.
- Always** perform regular inspections and maintenance on mounts and related hardware.





# Installation Instructions

## Rear Bumper

Product Number: W1250

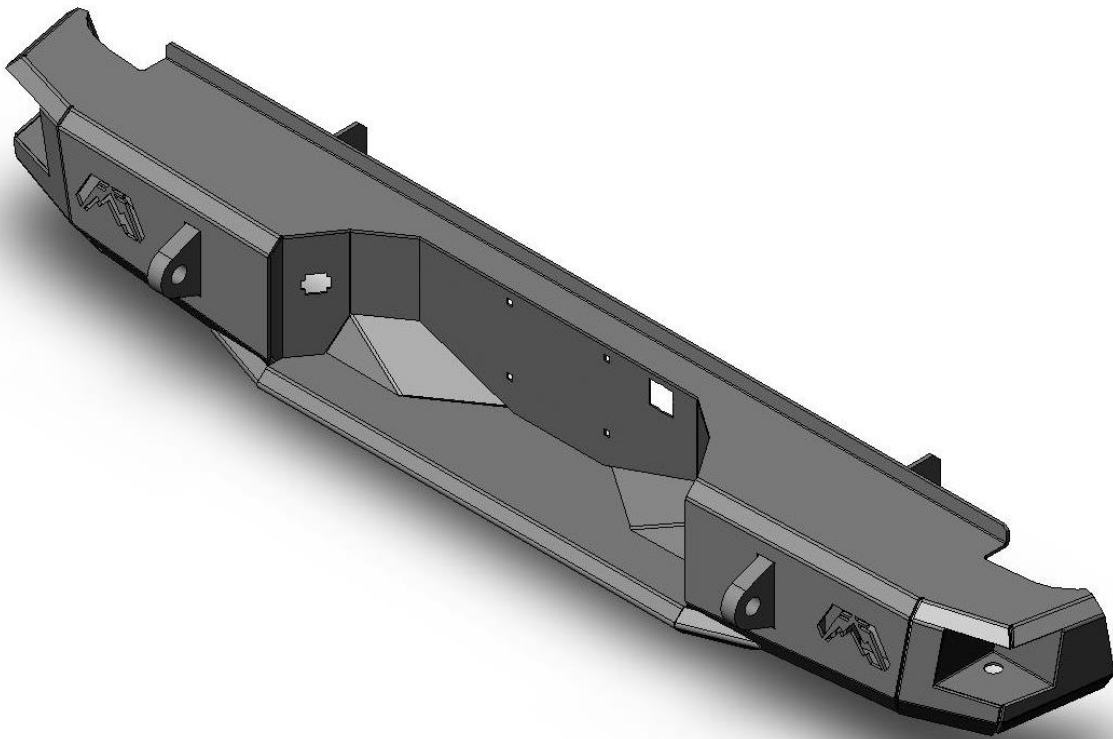
Application: '99-06 GM Heavy Duty

### I. Overview

Congratulations on your new purchase of the industries' best and most stylish GM Rear Bumper! This bumper has been **engineered** for strength while keeping the weight down.

Your bumper was designed in 3-D from digitized data, CNC laser cut, fabricated, and powder coated... all in the U.S.A.

Enjoy the fit and finish of a quality GM Rear Bumper from Fab Fours Inc.





## Installation Instructions

### Rear Bumper

Product Number: W1250

Application: '99-06 GM Heavy Duty

### III. Tools Needed

- 3/4" Socket
- 3/4" Wrench
- Socket wrench
- Regular Screwdriver

### IV. Removal

- A) Remove license plate, and OEM license plate lights. If so equipped, unplug back-up sensors and seal OEM connector with tape; affix to frame.
- B) Remove OEM bumper fasteners and OEM bumper. Set aside.
- C) Remove OEM Spare Tire Access Cover from bumper. Set aside.

### V. Bumper Preparation

- A) Lay out Fab Fours bumper and install factory license plate lights in provided locations.
- B) Install license plate inserts in provided locations.
- C) Install OEM Spare Tire Access Cover in provided location.

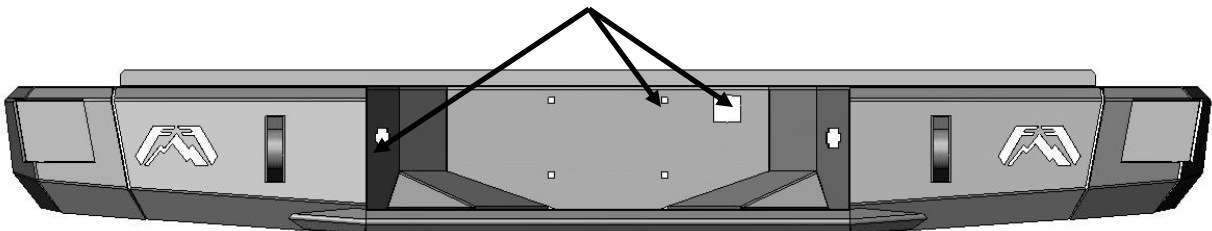


Figure 1



## Installation Instructions

### Rear Bumper

Product Number: W1250

Application: '99-06 GM Heavy Duty

- **B)** Install bumper mounts onto bumper as shown using supplied mounting hardware: bolts, washers, and nuts. Do not tighten fully. Verify that the triangular flange points upward and middle flange faces outward. Repeat for other side.

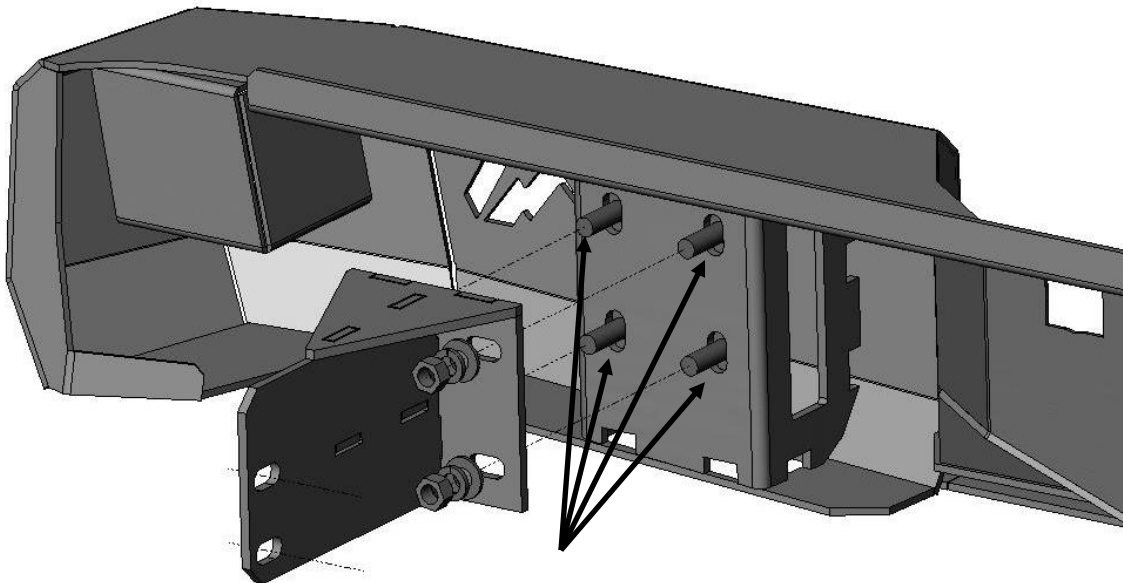


Figure 2



## Installation Instructions

### Rear Bumper

Product Number: W1250

Application: '99-06 GM Heavy Duty

#### VI. Bumper Installation

- A) Bolt bumper to frame using supplied hardware: bolts, washers, and nuts. Repeat for other side. Verify that Bumper Mount rests on **INSIDE** of frame rail as shown. Align Spare Tire Access Cover with guide tube.

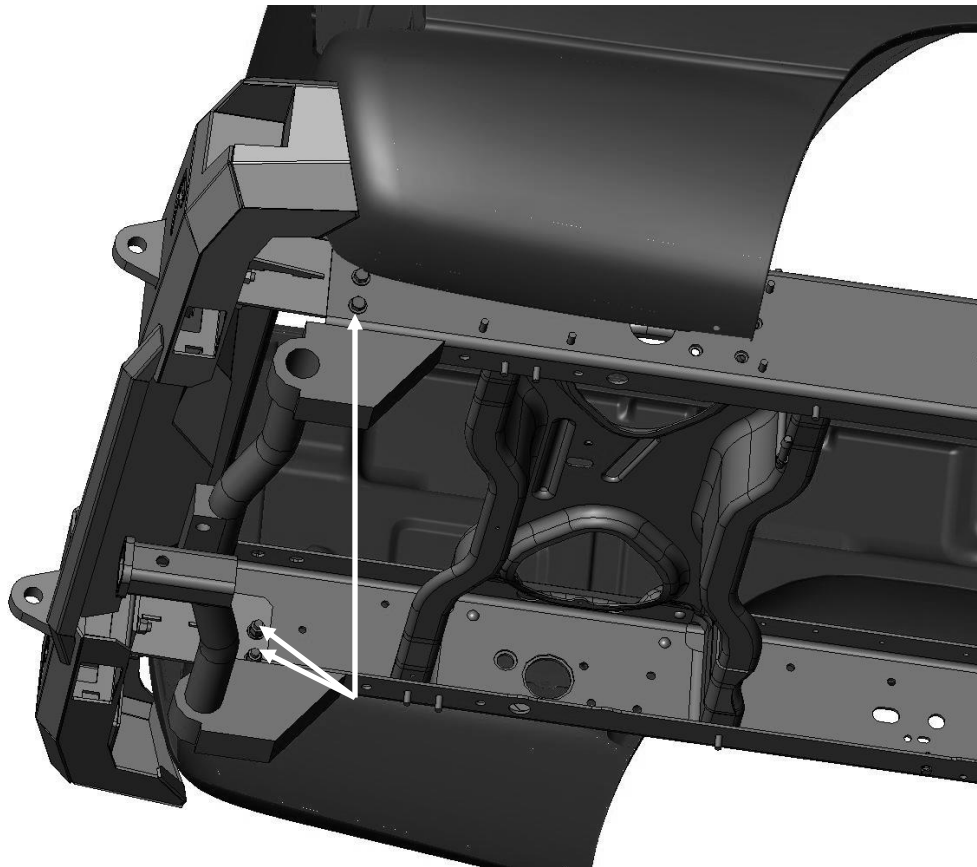


Figure 3

- C) Align bumper front to back and tighten frame mount fasteners.
- D) Align bumper height side-to-side, verify tailgate clears while lowered, and tighten bumper mounting fasteners using  $\frac{3}{4}$ " socket and wrench.
- E) Plug in license plate light harness and secure to frame rails.
- F) Re-install license plate.





## Installation Instructions

### Rear Bumper

Product Number: W1250

Application: '99-06 GM Heavy Duty

#### VII. Maintenance/Care

- Periodically check and tighten all fasteners.
- Stripped, fractured, or bent bolts or nuts need to be replaced.



More than expected... Better than expected

