



# Installation Instructions

## 2008 Chevy and GMC HD Rear Bumper

Product Number: W1450  
Application: 08+ Chevy and GMC HD Trucks

## SAFETY

### Your safety and the safety of others is very important.

- In order to help you make informed decisions about safety, we have provided installation instructions and other information.
- These instructions alert you to potential hazards that could hurt you or others.
- Please do a job safety analysis (JSA) before each task to identify potential hazards for your situation and remove/protect against them.
- You must use your own good judgment, and take your time.

**Read and understand all safety precautions and instructions before installing this product.**

THIS PRODUCT IS FOR OFFROAD USE ONLY. ALL LIABILITY FOR INSTALLATION AND USE RESTS WITH THE OWNER.

**CARELESS INSTALLATION AND OPERATION CAN RESULT IN SERIOUS INJURY OR EQUIPMENT DAMAGE.**

## Injury hazard

### Failure to observe these instructions could lead to severe injury or death.

- Always** remove jewelry and wear eye protection.
- Always** use extreme caution when jacking up a vehicle for work. Set emergency brake and use tire blocks. Locate and use the vehicle manufacturers designated lifting points. Use jack stands.
- Always** use appropriate and adequate care in lifting components into place.
- Always** insure components will remain secure during installation and operation.
- Always** wear safety glasses when installing this kit. A drilling operation will cause flying metal chips. Flying chips can cause serious eye injury.
- Always** use extreme caution when drilling on a vehicle. Thoroughly inspect the area to be drilled (on both sides of material) prior to drilling, and relocate any objects that may be damaged.
- Always** use extreme caution when cutting and trimming during fitting.
- Always** tighten all nuts and bolts securely per installation instructions.
- Always** route electrical cables carefully. Avoid moving parts, components that become hot and rough or sharp edges.
- Always** insulate and protect all exposed wiring and electrical terminals.
- Always** perform regular inspections and maintenance on mounts and related hardware.





# Installation Instructions

## 2008 Chevy and GMC HD Rear Bumper

Product Number: W1450  
Application: 08+ Chevy and GMC HD Trucks

### I. Overview

Congratulations on your new purchase of the industries' best and most stylish GM Rear Bumper! This bumper has been **engineered** for strength while keeping the weight down.

Your bumper was designed in 3-D from digitized data, CNC laser cut, fabricated, and powder coated... all in the U.S.A.

Enjoy the fit and finish of a quality GM Rear Bumper from Fab Fours Inc.





# Installation Instructions

## 2008 Chevy and GMC HD Rear Bumper

Product Number: W1450  
Application: 08+ Chevy and GMC HD Trucks

### II. Tools Required

- Socket Wrench with Extension
- 3/4", 15mm, 18mm, & 22mm Sockets
- 3/4", 15mm, 18mm, & 22mm Box End Wrench
- Regular Screw Driver
- Floor Jack and wood block.

### III. Vehicle Preparation

***A. Remove license plate, and OEM license plate lights. If so equipped, unplug back-up sensors and seal OEM connector with tape; affix to frame.***

***B. Remove OEM bumper fasteners and OEM bumper. This requires removing the following from each side. Save fasteners.***

1. One 22mm bolt from the bottom of the frame
2. Two 18mm bolts from the side of the frame
3. One 15mm bolt from the side.

***C. Remove OEM Spare Tire Access Cover and Trailer Plug from bumper. Set aside.***

### IV. Bumper Installation

**NOTE: The Following Installation steps apply to the installation of the Bumper to the Rear of the vehicle. PLEASE READ THE ENTIRE MANUAL BEFORE ATEMPTING INSTALLATION! Ignoring these steps will increase your probability of scratching the vehicle during product Installation!**

***A. Remove the Rear Bumper and Brackets from the shipping carton. Lay all items out on a blanket to prevent damage to the powder coating.***

***B. Install license plate inserts in provided locations.***





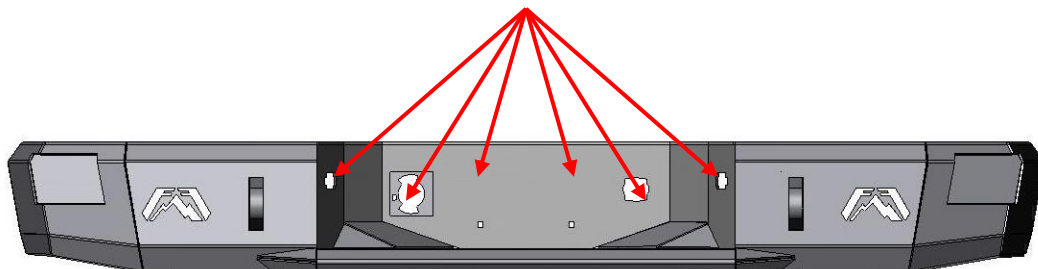
# Installation Instructions

## 2008 Chevy and GMC HD Rear Bumper

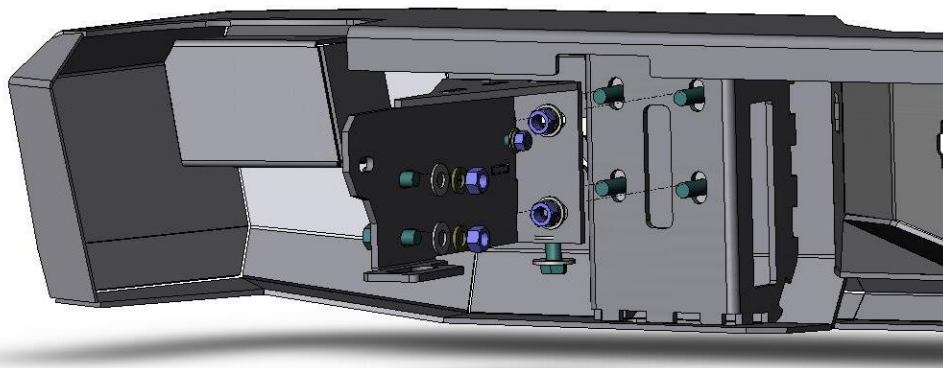
Product Number: W1450  
Application: 08+ Chevy and GMC HD Trucks

**C. Install OEM Spare Tire Access Cover in provided location.**

**D. Install the Factory Trailer Plug into the cutout in provided location.**



**E. Install bumper mounts onto bumper as shown using supplied mounting hardware: bolts, washers, and nuts. Do not tighten fully. Verify that the triangular flange points upward and middle flange faces outward. Repeat for other side. See Image Below.**



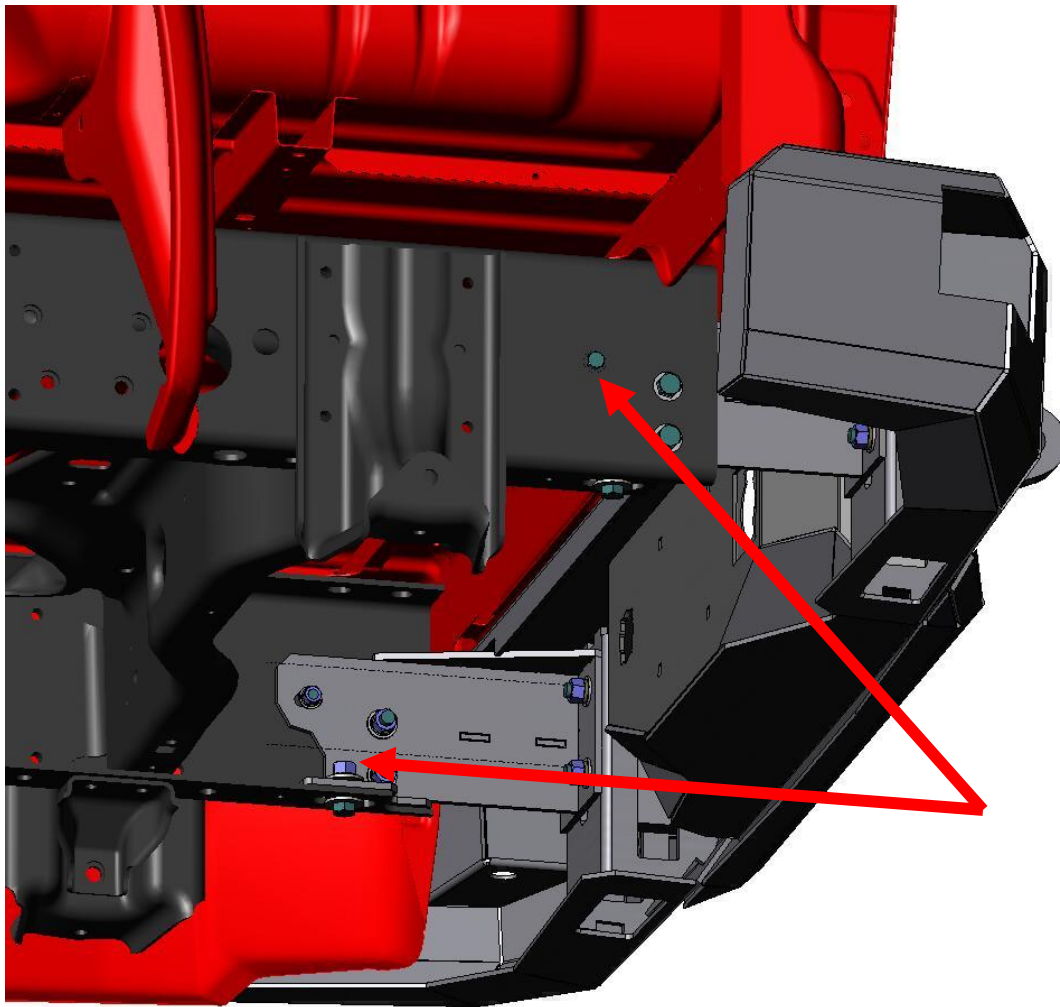


# Installation Instructions

## 2008 Chevy and GMC HD Rear Bumper

Product Number: W1450  
Application: 08+ Chevy and GMC HD Trucks

***F. Bolt bumper to frame using supplied hardware: bolts, washers, and nuts. Use the 1/2" Hardware in the 3 larger holes per side and the 3/8" in the smaller hole further up the frame rail. Repeat for other side. Verify that Bumper Mount rests on INSIDE of frame rail as shown. Align Spare Tire Access Cover with guide tube. See Image Below.***





## Installation Instructions

### 2008 Chevy and GMC HD Rear Bumper

Product Number: W1450  
Application: 08+ Chevy and GMC HD Trucks

***G. Align bumper front to back and snug tighten frame mount fasteners.***

***H. Align bumper height side-to-side, verify tailgate clears while lowered, and tighten bumper mounting fasteners using  $\frac{3}{4}$ " socket and wrench.***

***I. Plug in license plate light harness and trailer harness, secure to frame rails Remove the Rock Slider from the vehicle.***

***J. Re-install License Plate.***





# Installation Instructions

## 2008 Chevy and GMC HD Rear Bumper

Product Number: W1450  
Application: 08+ Chevy and GMC HD Trucks

### V. Maintenance/Care

- Periodically check and tighten all fasteners.
- Stripped, fractured, or bent bolts or nuts need to be replaced.



More than expected... Better than expected

