

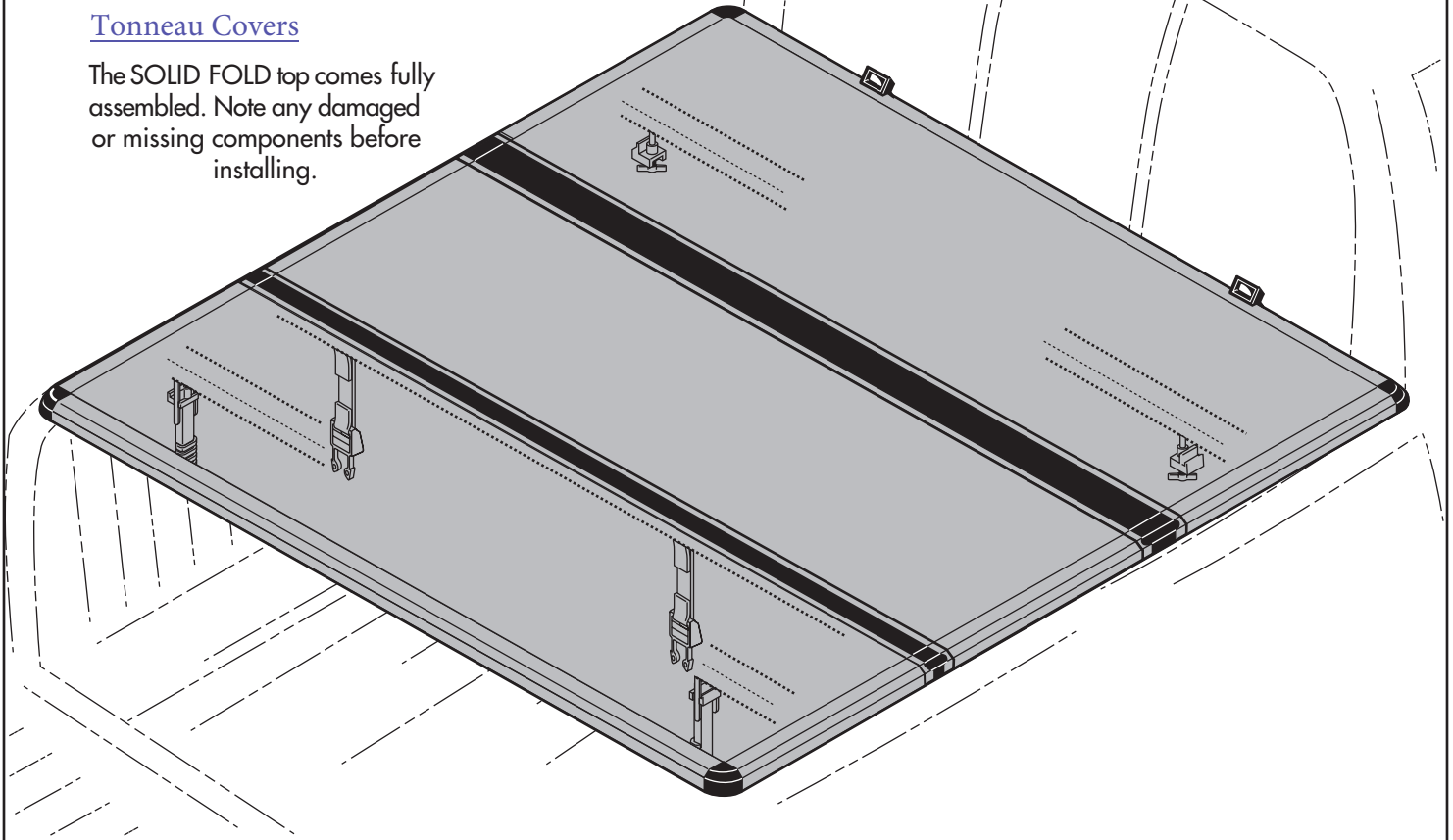
INSTALLATION SHEET

SOLID FOLD 2.0

extang
AMERICA'S BEST
SELLING TONNEAUS

Tonneau Covers

The SOLID FOLD top comes fully assembled. Note any damaged or missing components before installing.



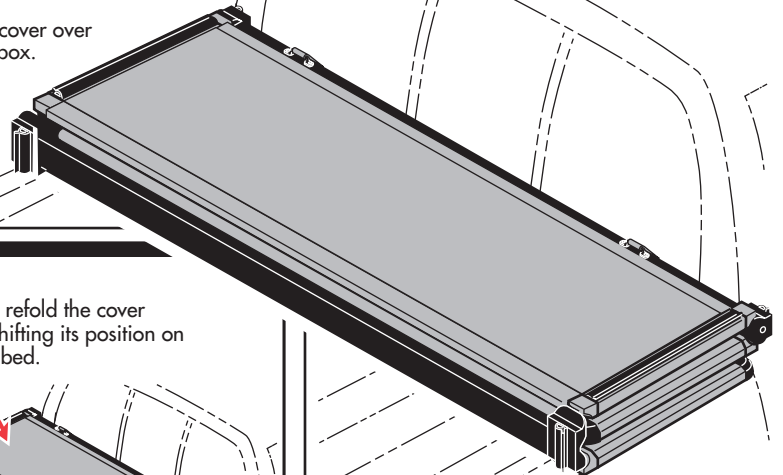
1



Wash truck bed.

2

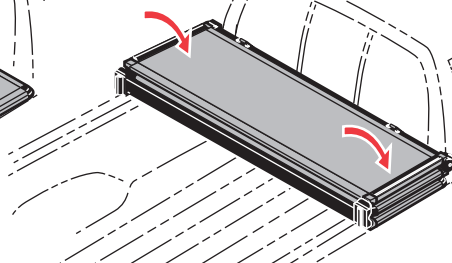
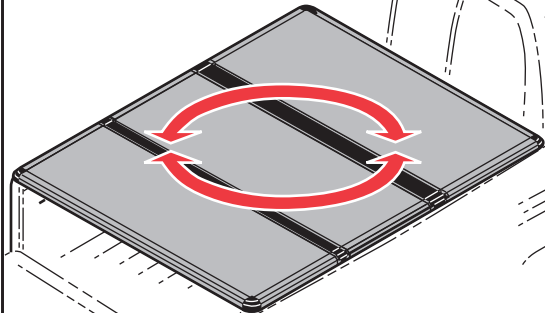
Place assembled cover over cab end of truck box.



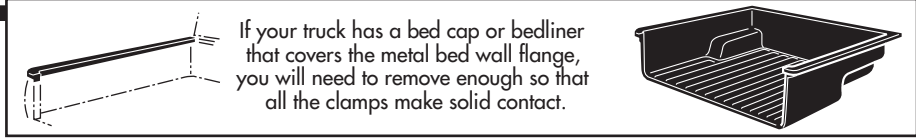
3

Unfold the cover fully and adjust position over the truck bed for proper cab/tail alignment.

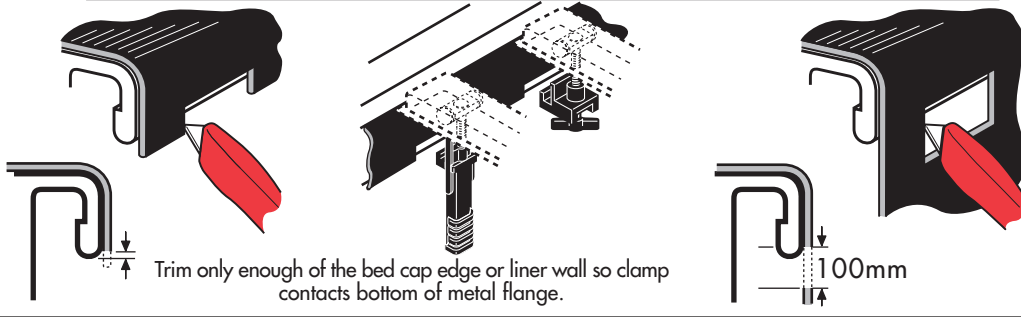
Carefully refold the cover without shifting its position on the truck bed.



4



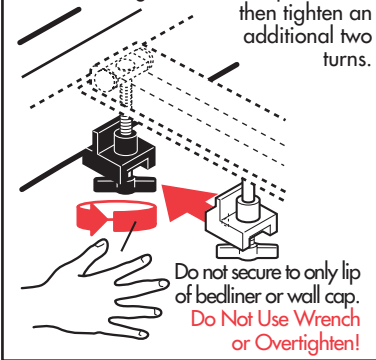
If your truck has a bed cap or bedliner that covers the metal bed wall flange, you will need to remove enough so that all the clamps make solid contact.



Trim only enough of the bed cap edge or liner wall so clamp contacts bottom of metal flange.

100mm

5

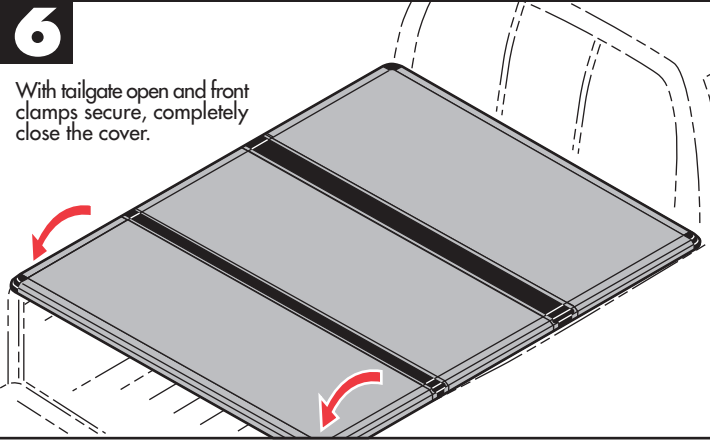


Ensure clamp is positioned under bed wall flange. Hand tighten until clamp contacts, then tighten an additional two turns.

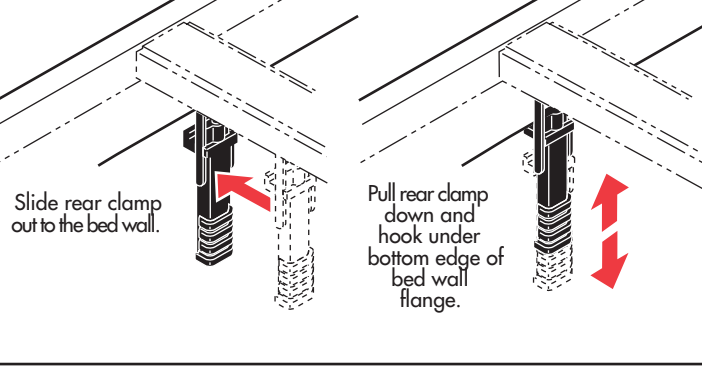
Do not secure to only lip of bedliner or wall cap. Do Not Use Wrench or Overtighten!

6

With tailgate open and front clamps secure, completely close the cover.



7

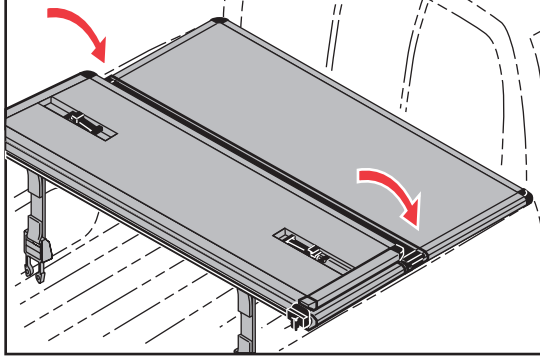


Slide rear clamp out to the bed wall.

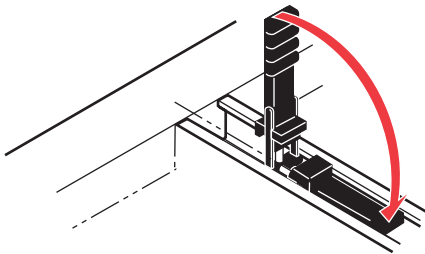
Pull rear clamp down and hook under bottom edge of bed wall flange.

8

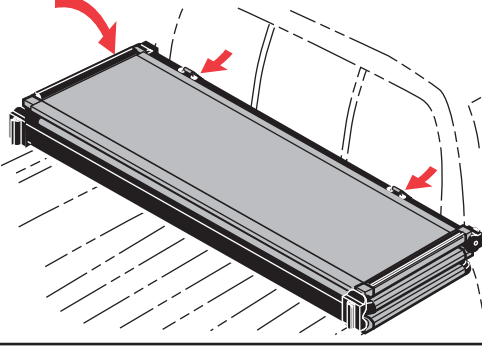
It is convenient to drive with the SOLID FOLD cover open. Release the rear clamps and fold the cover forward.



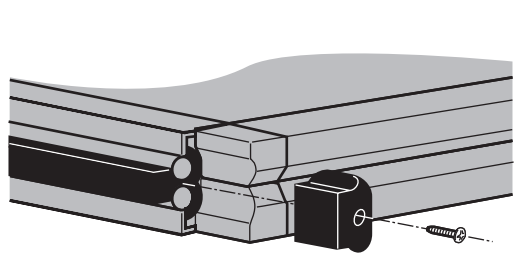
Fold the cover forward and fasten BOTH straps in the middle section to the front rail.



IMPORTANT: Before folding the second section of the cover, rear clamps must be stowed securely into rail.

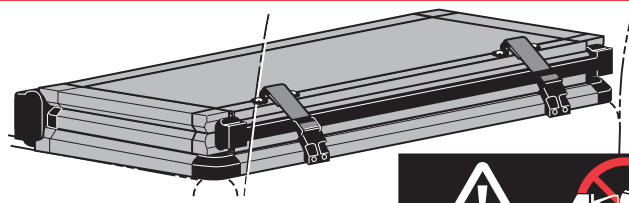


Remove any snow or foreign matter before folding cover.



To remove foreign matter from panel hinges, remove one end cap and slide panels apart. Reassemble after cleaning.

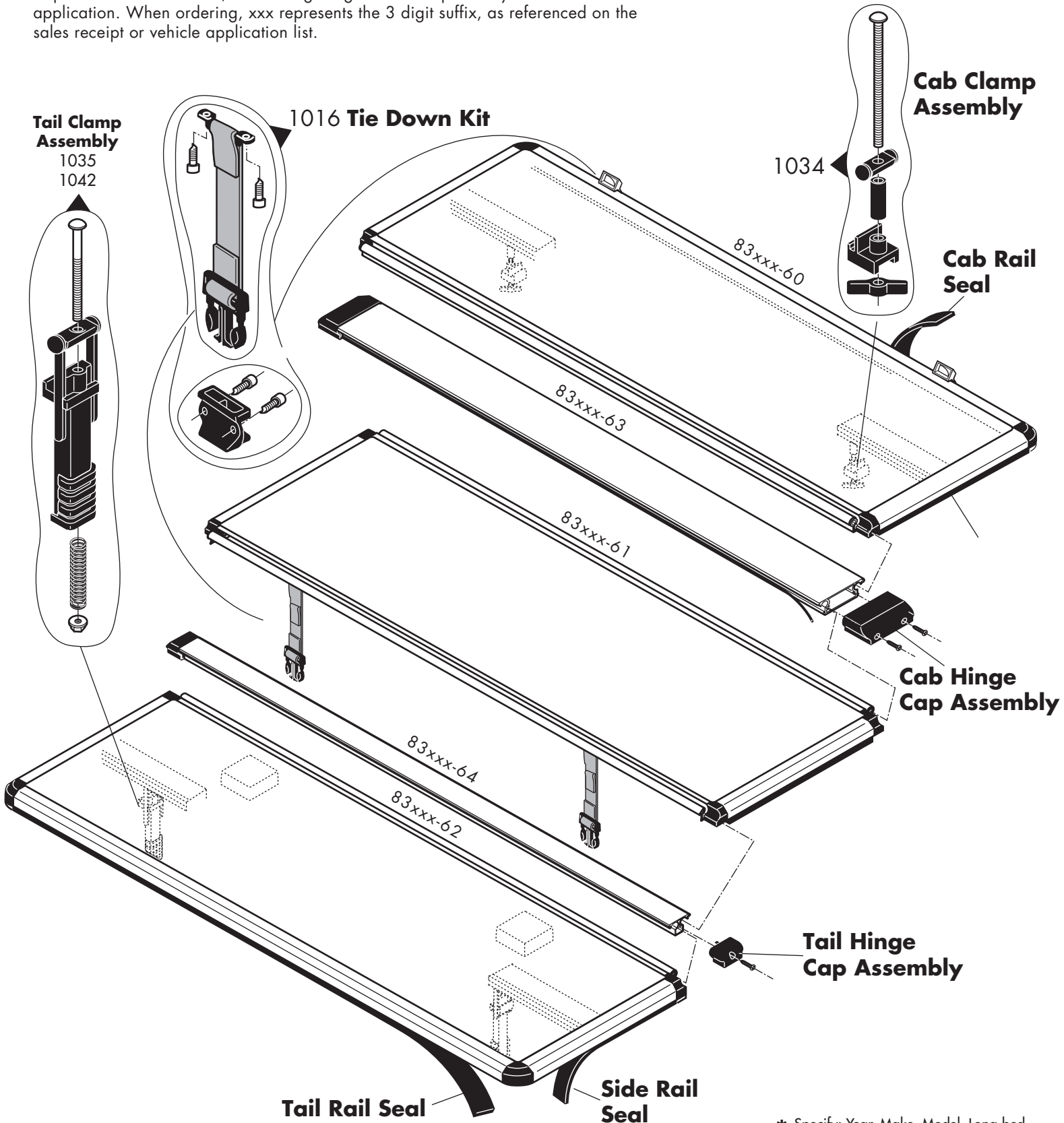
IMPORTANT NOTICE
While driving, cover must be completely flat and secure with all four clamps in the closed position. If driving in the open position, cover must be completely folded up (all panels) and secured at the cab with BOTH tie down straps.
DO NOT DRIVE with cover in partially opened position.



SOLID FOLD 2.0

Replacement Parts

NOTE: To order replacement parts, it's best to contact our Customer Service Department for assistance, to ensure getting the correct part for your vehicle application. When ordering, xxx represents the 3 digit suffix, as referenced on the sales receipt or vehicle application list.



* Specify: Year, Make, Model, Long-bed or Short-bed, Driver or Passenger side.

MAXIMUM STRENGTH WARRANTY

READ CAREFULLY - KEEP IN A SAFE PLACE

PLEASE ATTACH AND SAVE YOUR SALES RECEIPT.
ACTIVATE YOUR WARRANTY ONLINE AT EXTANG.COM.

EXTANG LIMITED WARRANTY

ENCORE
TONNO

**SOLID
FOLD 2.0**

SOLID FOLD
FOLDING HARD LID TONNEAU

■ WARRANTY DURATION:

Extang offers three years of coverage from the date of purchase. Warranty is limited to original purchaser of truck bed cover and is non transferable.

■ WARRANTY CONDITIONS:

This warranty is against defective materials or workmanship. The warranty is void if the product has been damaged by accident, unreasonable use, neglect, improper service/installation/removal, modifications, normal wear and tear or other causes not arising out of defective materials or workmanship. Consequential and incidental damages are not covered under this warranty.

WARRANTY EXCLUSION:

- Warranty is void if defect in materials and workmanship is not reported in writing within 30 days of discovering a defect.
- Warranty does not cover the cost of shipping, including the cost of returning the product for warranty service or inspection.
- Warranty does not cover scratches and dents to bed cover. Warranty further excludes damage to bed cover as a result of placing, storing, or hauling objects on top of bed cover.
- Warranty will be void if shipping damage is not reported in writing within 3 business days of purchase.

THE FOLLOWING CONDITIONS WILL ALSO VOID THE WARRANTY:

- OVERLOADING OF CARGO – Cargo should not touch the tonneau at any point. Protrusions in the tarp will stress the fabric. Cargo may shift while traveling and cause it to push against the fabric or panels and damage it.
- DRIVING WITH PANELS OPEN OR IMPROPERLY SECURED – Prior to vehicle operation, clamps must be tightly secured so that clamp lips tightly grip the inner bedside metal surface. OPEN POSITION: Tonneau must be completely folded and secured with BOTH buckles. CLOSED POSITION: Tonneau must be completely flat and secured at all 4 clamps.
- Top of tonneau MUST be free of foreign material including snow and ice before opening panels or severe damage may result.
- Do NOT tow your vehicle from the rear with any Extang tonneau cover on your truck.

■ PERFORMANCE:

Provided all warranty conditions are met Extang will either repair or replace (at Extang's option) the product or component. Extang may require the original item to be returned postage prepaid for final determination. Extang reserves the right to substitute and offer the respective warranty discount on an entire replacement system or provide other remedies than those listed in this warranty for discontinued products or other reasons. A return authorization number must be obtained from our customer service department prior to returning any product. **Shipping charges will apply for any repair or replacement.** This warranty gives you specific legal rights and you may also have other legal rights which vary from state to state.



MAXSEAL
TAILGATE SEAL™



The MaxSeal Tailgate Seal creates a tight seal along sides and bottom of your tailgate to keep out dust, rain and snow. Quick and easy to install: just cut, peel and stick.

e-LIGHT 500 RECHARGABLE
TRUCK BED
UTILITY LIGHT



The e-LIGHT 500 is an all-new revolutionary lighting system that fully illuminates the entire bed of your truck with ease. Universal in nature, the e-LIGHT 500 has been designed to work from any location inside the truck bed, and can be recharged on the go.

extang