



Easily adjust on bed side for optimal tie-down position.



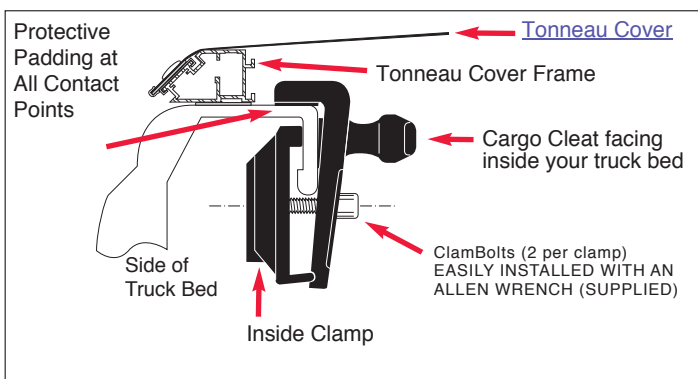
NO DRILLING & NO DAMAGE TO TRUCK

CARGO CLEATS™

Helpful Instructions:

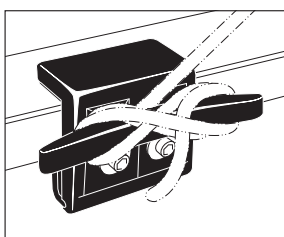
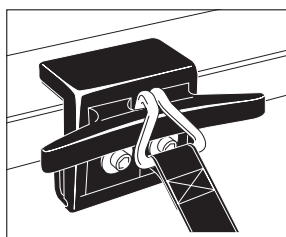
Cargo Cleats easily & safely clamp on with no tools and no damage.

Can be used with a Freedom Tonneau installed (on most full size trucks)



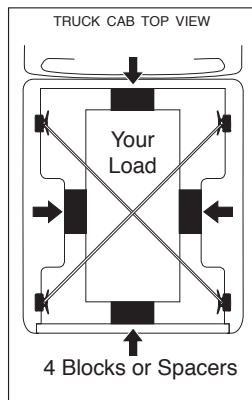
Use multiple ways:

Designed to be used with hook straps, stretch bands or rope.



IMPORTANT: All weight bearing rope or hooks MUST be in the CENTER hole as shown above and as shown in the tying diagram below.

How to safely load truck bed:



Maximum load limit 500 pounds lateral.

Always block loads to prevent shifting (as shown here).

How to tie a secure nautical knot:

All weight bearing rope or hooks MUST be in the CENTER hole as shown below.

