

MAXSEAL[®]

TAILGATE SEAL

LOVE YOUR TRUCK?
SEAL IT.
PROTECT IT.

MaxSeal with
Taper Seal[®] keeps
dust, rain and snow
out of your truck bed.

**JUST CUT,
PEEL & STICK**

**CREATES A
TIGHT SEAL
ALONG SIDES
AND BOTTOM OF
YOUR TAILGATE**



**NO DRILLING,
NO DAMAGE**



**QUICK
FAST & EASY
INSTALLATION**

Universal
length fits all makes
& models of trucks.

Can be used with tops, lids
or any brand [tonneau cover](#).

Made of all-weather grade, UV, gas and
oil resistant EPDM industrial high-strength
rubber. Easy, do-it-yourself installation.

extang
tonneau covers

INSTALLATION INSTRUCTIONS

For best results, apply at a temperature above 55° (F).

MAXSEAL®

TAILGATE SEAL

- 1** Clean area thoroughly with soap and water and wipe completely dry. Use alcohol pad to prep the application area and let dry.

To evaluate the best positioning for your vehicle cut a 1" piece and attach **MaxSeal** to ensure the bulb compresses when the tailgate is closed. Refer to diagrams for proper placement.

Wait until after STEP 4 to apply very firm pressure to secure adhesive bond. If necessary, **MaxSeal** can be removed and repositioned prior to STEP 4.

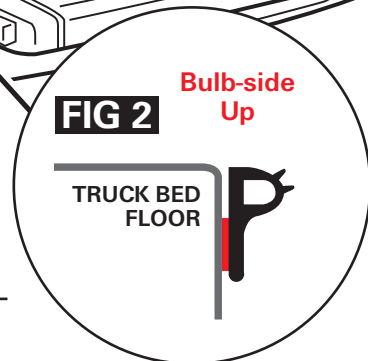
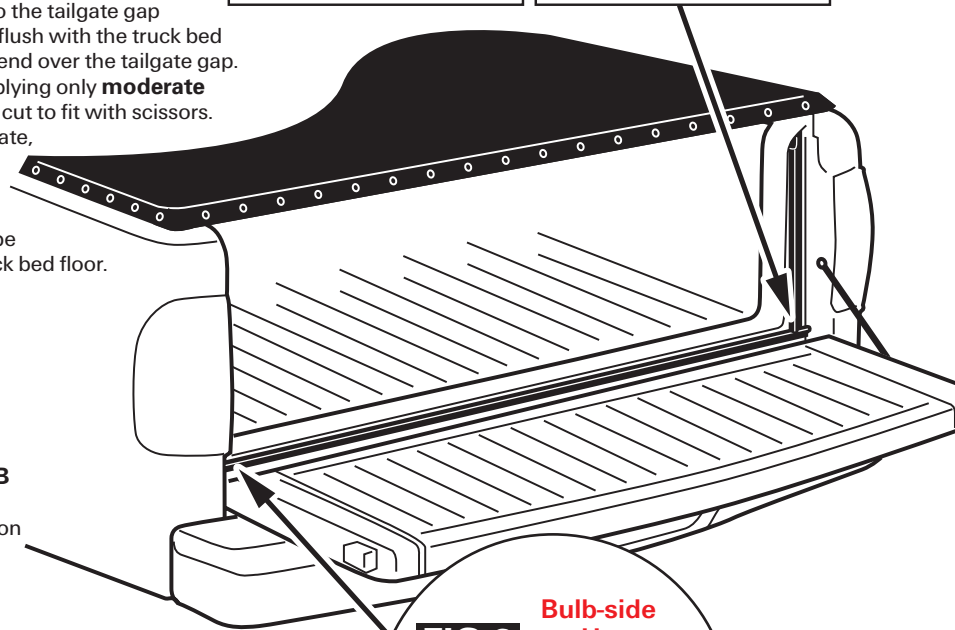
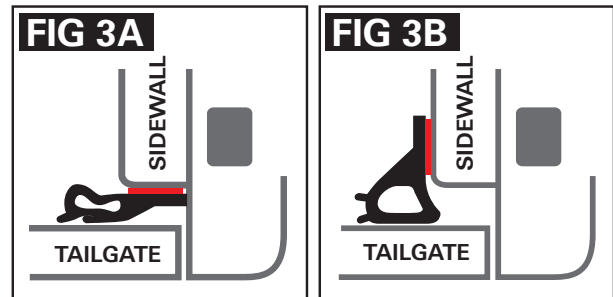


- 2** Start at either side and begin attaching **MaxSeal** to the tailgate gap (**FIG 2**). Make sure that the top flat area of bulb is flush with the truck bed floor edge or just below should truck bed floor extend over the tailgate gap. Peel back liner, doing a small section at a time, applying only **moderate pressure** to adhesive. When flush with other side cut to fit with scissors. If the bulb rolls downwards when closing the tailgate, so that you can see the adhesive, then seal has compressed too much. This occurs mostly with spray on bed liners. Simply invert seal so that bulb side is down. On Chevy and GMC trucks, you will be aligning the top of seal with the lower ridge of truck bed floor.

- 3** Attach **MaxSeal** to sidewalls (**FIG 3A**), from bottom to top, making sure that adhesive is positioned near the corner edge of sidewall. Peel back liner and apply **moderate pressure** to adhesive. **3A** is the most common attachment method. Use attachment method shown in **FIG 3B** should **3A** not seal correctly. When using method **3B** you may need to make "V" cuts in the flat section of **MaxSeal** to follow the curve of the sidewall or to fit around any rubber stops. Position adhesive near the corner edge of sidewall. When flush with top cut with scissors.

- 4** Close the tailgate. If you see light between the seal and the tailgate, you can make small adjustments by slightly removing the seal and repositioning. If there is still a gap at the top of the sidewall, cut a small piece of **MaxSeal** and attach to the top of sidewall or tailgate. Do not attached **MaxSeal** directly onto **MaxSeal**.

- 5** After **MaxSeal** is in place, apply **very firm pressure** to secure the adhesive bond.



extang
tonneau covers

MADE IN THE
USA