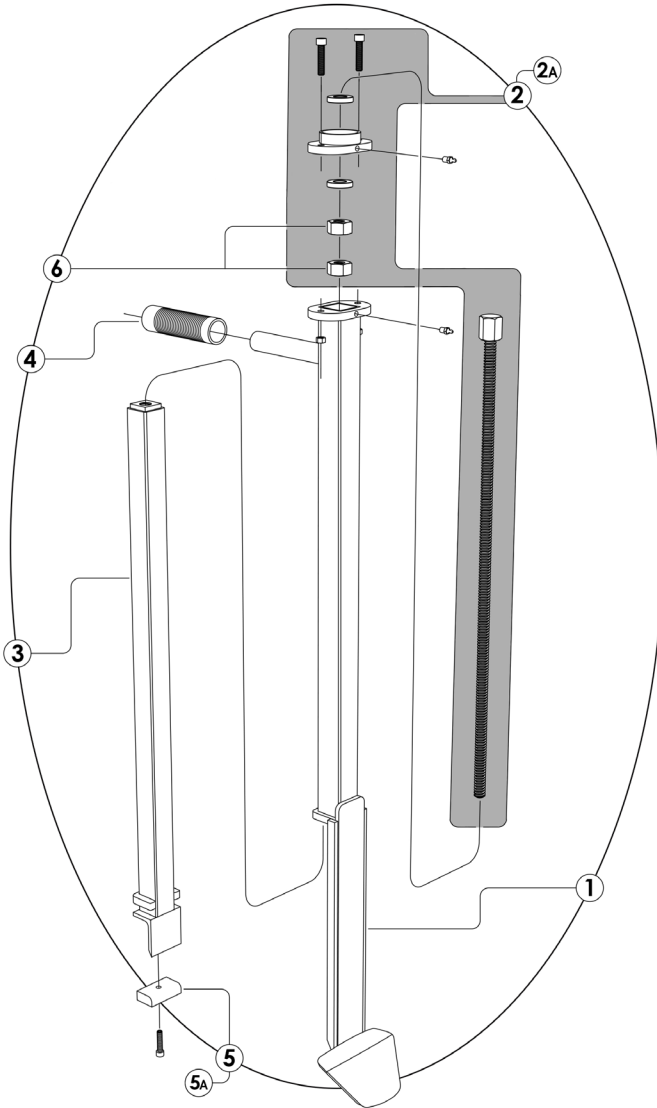


Parts Breakdown

Parts Breakdown - Replacement Part Numbers

Ref #	Part #	Description
1	20408-1	Main Puller Housing
2	20408-2	Screw Assembly (3.0" Top Plate)
2-A	20408-2-B	Screw Assembly (3.5" Top Plate)
3	20408-4	Push Foot Assembly
4	20408-5	Plastic Handle
5	20408-7	Heel Protector Kit (1 Screw Style)
5-A	20408-7	Heel Protector Kit (2 Screw Style)
6	20408-9	Acme Lock Nut



Learn more about wheel and tire service tools we have.