



**Equipment Supply Company**

# **Instruction Manual**

## **3 Ton Jack Stands - *High Performance Style***

MODEL 10497

MODEL 10498

MODEL 10499



**Read this manual and follow All Safety Rules and Operating Instructions before ANY use of this product.**

---

**CAUTION:**

**READ AND FOLLOW ALL WARNINGS, CAUTIONS AND INSTRUCTIONS ASSOCIATED WITH THE PROPER USE OF THIS PRODUCT, FAILURE TO COMPLY COULD RESULT IN DEATH, BODILY INJURY AND/OR DAMAGE TO EQUIPMENT.**

*This product as well as all tire tools, should never be used by persons unless they have been trained properly according to the O.S.H.A. regulation #29CFR 1910.177 entitled “Servicing Single-Piece & Multi-piece Rim Wheels”. Copies of this regulation can be obtained by contacting this manufacturer.*

**Specifications**

<b>Model</b>	<b>Capacity (Per Stand)</b>	<b>Min. Height</b>	<b>Max. Height</b>	<b>Base Size</b>
<b>10497</b>	3 Ton 6,000 lbs.	13.2” 335mm	21.5” 546mm	12” x12” 305mm
<b>10498</b>	3 Ton 6,000 lbs.	13.2” 335mm	21.5” 546mm	12” x12” 305mm
<b>10499</b>	3 Ton 6,000 lbs.	11” 280mm	17” 432mm	9.5” x 9.5” 241mm

**Important Safety Information**

Read these safety warnings before operation.

**WARNING!**

Failure to heed these warnings may result in loss of load, damage to jack stands, and / or jack stand failure resulting in personal injury or property damage.

**WARNING!**

Do not overload Jack stands beyond rated capacity. Overloading can cause damage to or failure of the jack stands and bodily harm. Position load on center of saddle only. Always use stands on hard level surface capable of sustaining the load. Use of stands on anything other than a hard level surface can result in stand instability and possible loss of load. It is recommended when lifting front end or back end of vehicle to use a pair of matching jack stands.



**NOTE:** The manufacturer is not responsible in any way for any damage that may result to persons or objects due to improper use of these Jack Stands.

## Maintenance & Inspection

1. Visual Inspection shall be made before each use of the stands, checking for cracks, cracked welds and missing and / or damaged parts. Any stand that appears to be damaged in any way should be removed from service immediately.
2. Because of the potential hazards associated with the misuse of equipment of this type, no modifications should be made of the product without consent from manufacturer.

## Operation



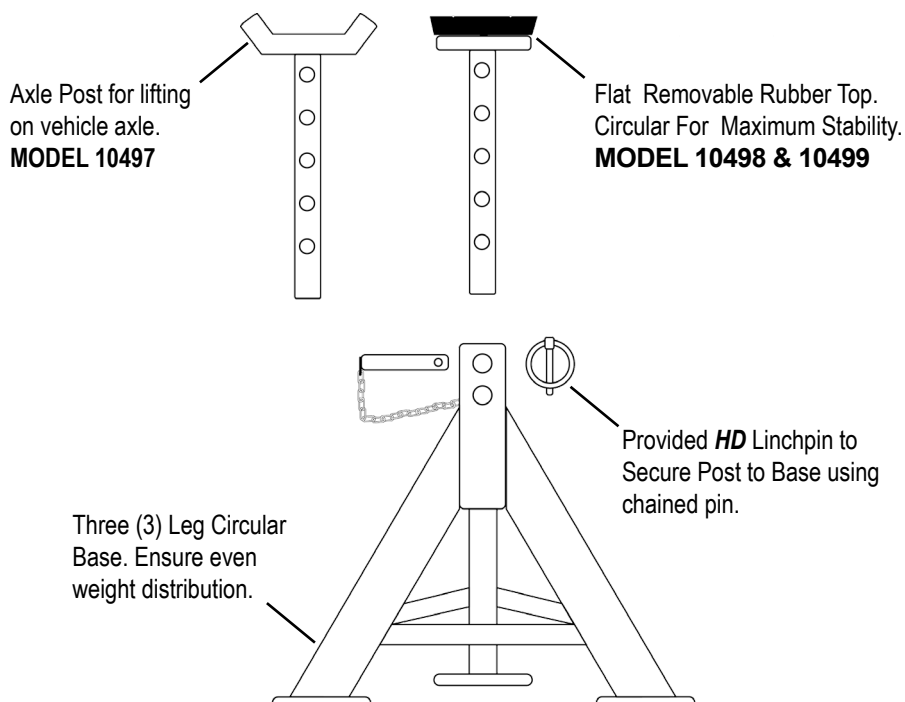
**NOTE:** NEVER use Jack Stands to support both ends or one side of a vehicle. Use only one (1) pair per vehicle. Rated Capacity is per stand only. DO NOT exceed rated capacity.

1. Refer to your vehicle owner's manual for proper jacking procedures. Lift only on areas of the vehicle specified by the vehicle manufacturer.



**NOTE:** Only attachments and/or adapters supplied by the manufacturer shall be used with these jack stands. please consult with manufacturer for approved accessories for these jack stands.

2. Position stands under vehicle at points specified by the vehicle manufacturer as proper load support points.
3. To adjust stands:
  1. Remove **HD** Linchpin and chained pin and adjust to the desired height.
  2. Place chained pin into hole location and attach the **HD** Linchpin and lock pin in.
  3. Carefully lower load onto stands.



### **HD LINCHPIN:**

Proper Connection of the Linchpin to the chained pin as seen above. Please make sure when receiving this product all parts are included.