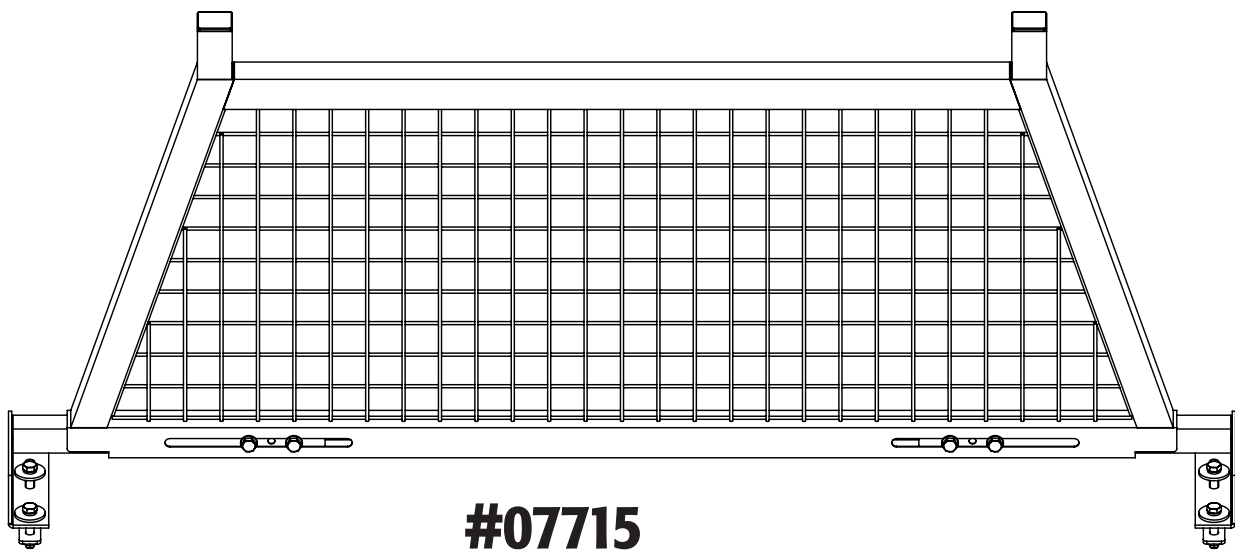


PICK-UP TRUCK HEADACHE RACK

MOUNTING INSTRUCTIONS

ERICKSON
MANUFACTURING LTD.



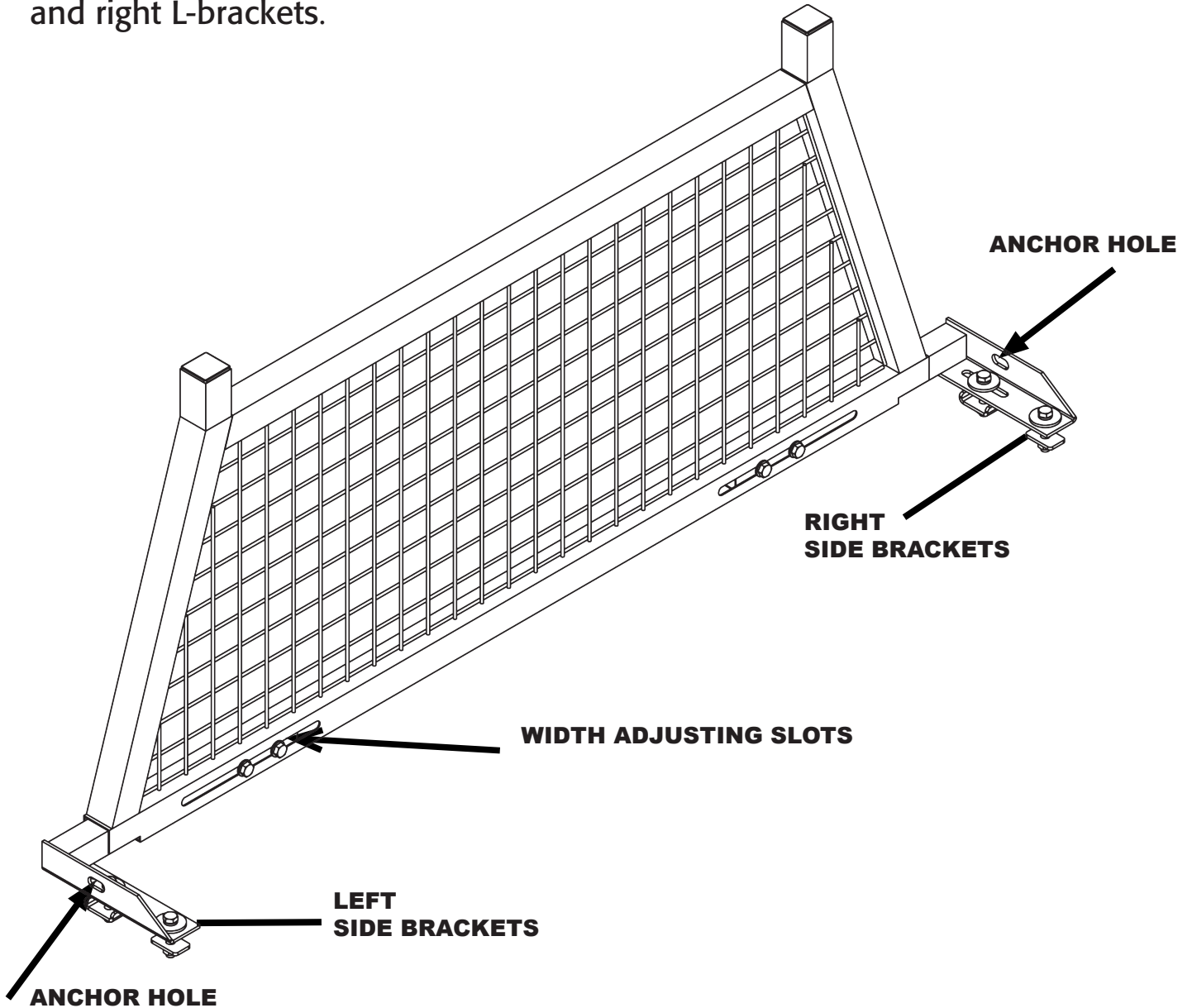
Read and understand this entire manual before assembling and installing. Keep this manual for the warnings and precautions. This manual offers important information on how to assemble, use and maintain this product.

WARNING

- This is a two person job
- If you are not a mechanical person don't attempt the installation, seek out a qualified installer.
- Always use Tie Down straps to secure your load.

Installation Procedure

1. Note the 3 main components, mesh rear window guard, and the left and right L-brackets.



2. Window guard must have the width adjusting slots facing the truck box area.

3. Note the mounting brackets use the stake pocket anchor holes for mounting.



4. Take the long bolt with flat washer and drop in the front hole of the right bracket, attach the black U-clamp, make sure the ends of the clamp are facing up, next drop the U-clamp down in stake pocket hole then using your finger turn the clamp cross-ways in the hole, snug the bolt up now just enough so the U-clamp is secure and won't turn, we will tighten in the end when all adjustments are made.



5. Slide the window guard over the right bracket now and install the 2 bolts and washers in the width adjusting slots, do not tighten just snug them up at this point.



6. Slide the left bracket into the window guard and install the 2 bolts and washers, just snug them up.



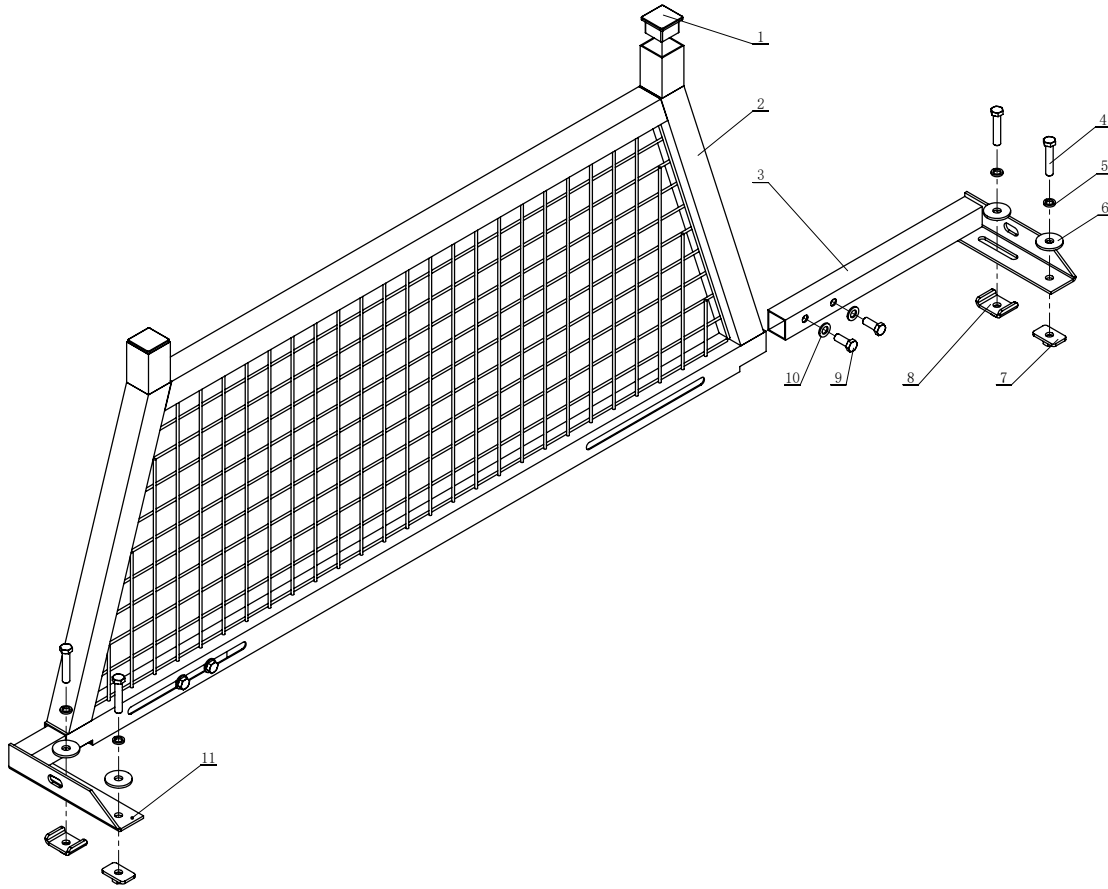
7. Repeat step #4 mounting the left bracket.

8. Adjust the window guard to make sure that it is centered and that you have the same spacing on each side. Once the preceding step is done, complete the tightening process of all bolts previously lightly tightened during the installation.



9. Now we need to drill a 1/2" hole in the truck box to finish securing the left and right brackets, using the remaining 2 bolts and washers place them in the holes, using the remaining black flat brackets (with welded nut on the bottom) to tighten these into place.





Part	Description	Quantity	Part	Description	Quantity
1	End Cap	2	7	Bracket	2
2	Rack Frame	1	8	U-Clamp	2
3	Rigth side bracket	1	9	M12 x 30 flat hex bolt	4
4	M12 x 75 flat head hex bolt	4	10	M12 lock washer	4
5	M12 lock washer	4	11	Left side bracket	1
6	M12 flat washer	4			