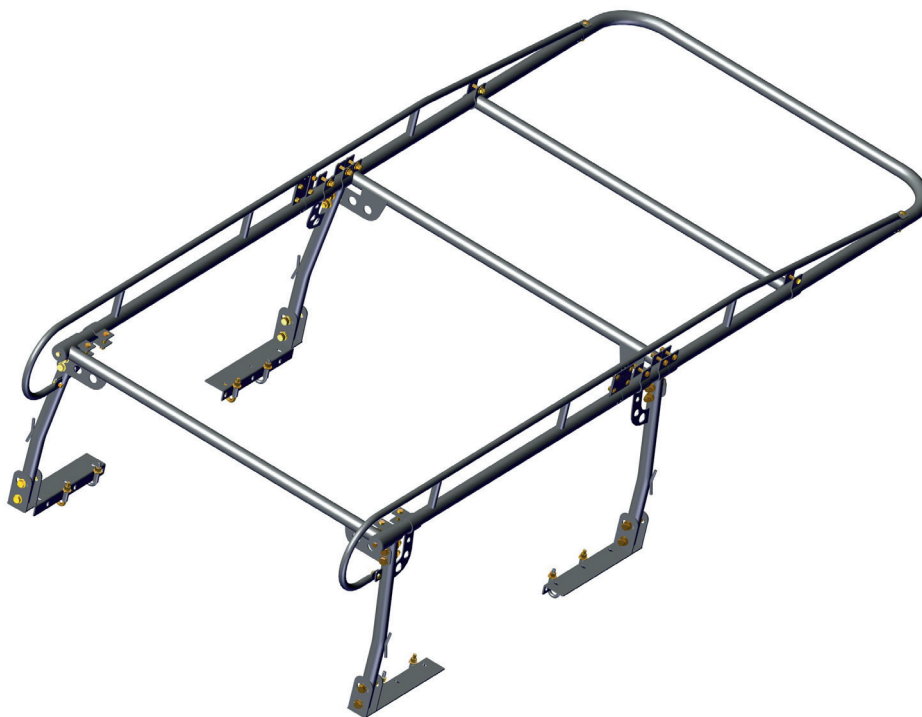


# 1000 LB. CONTRACTOR TRUCK RACK INSTRUCTION MANUAL

***ERICKSON***  
MANUFACTURING LTD.



## **READ ALL SAFETY WARNINGS AND INSTRUCTIONS.**

Failure to follow the warnings and instructions may result in serious injury.

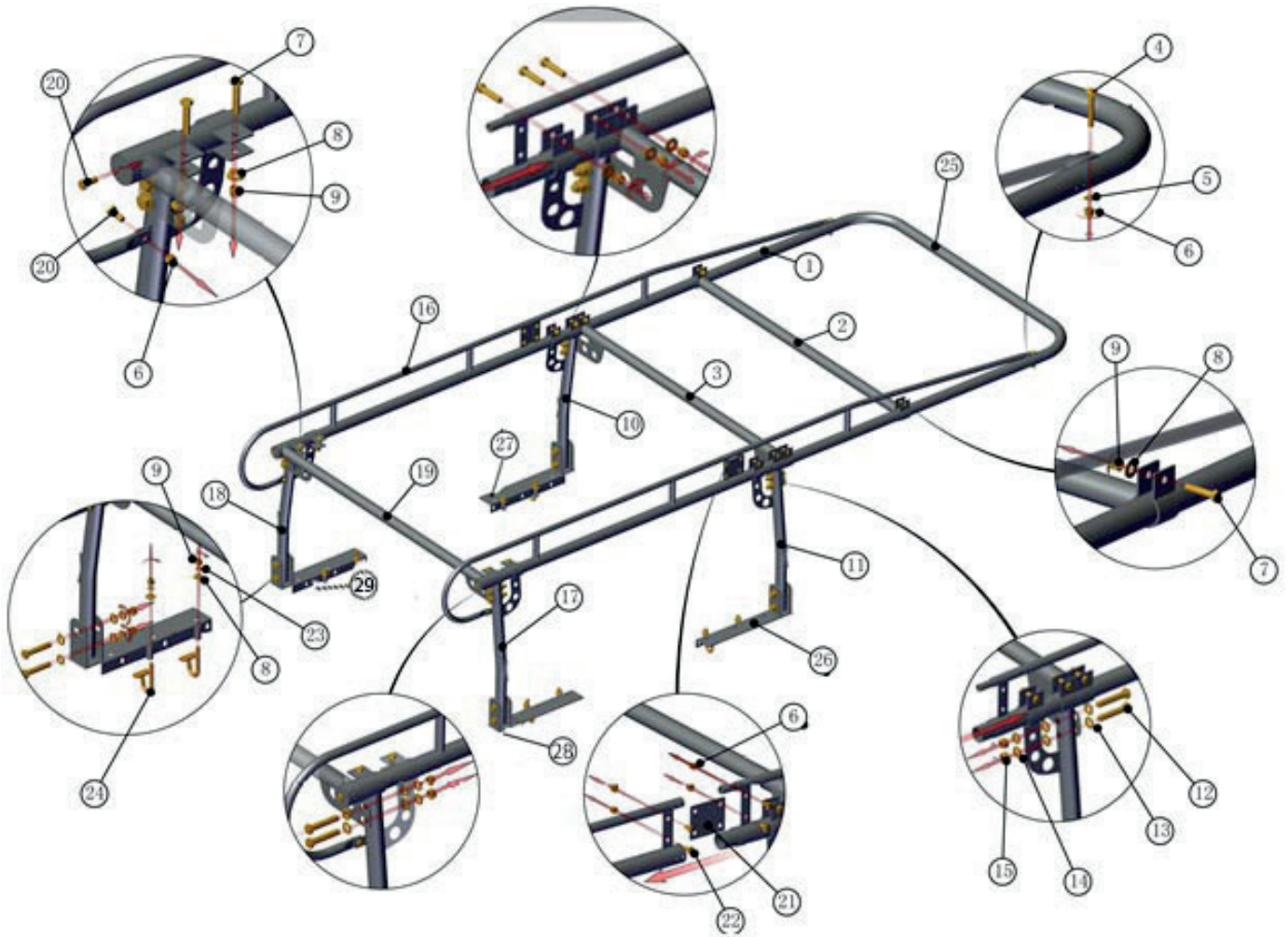
Save all warnings and instructions for future reference.

## **INSTALLATION PRECAUTIONS**

1. Follow DOT regulations regarding installation and use.
2. Park truck on a flat, level, hard surface well away from traffic. Place transmission in park/neutral and set parking brake.
3. Verify that installation surface has no hidden wires before drilling or driving screws.
4. Install only according to these instructions. Improper installation can create hazards.
5. Wear ANSI-approved safety goggles and heavy-duty work gloves during assembly and installation.
6. Mount Truck Rack securely to vehicle.
7. Keep installation area clean and well lit.
8. Keep bystanders out of the area during installation.
9. Do not install when tired or when under the influence of drugs or medication.
10. Weight capacity and other product capabilities apply to properly and completely installed product only.
11. Make sure adjustable parts (cross members and front legs) are in a supportive position. If improperly installed can reduce capacity and stability of product.

## **USE PRECAUTIONS**

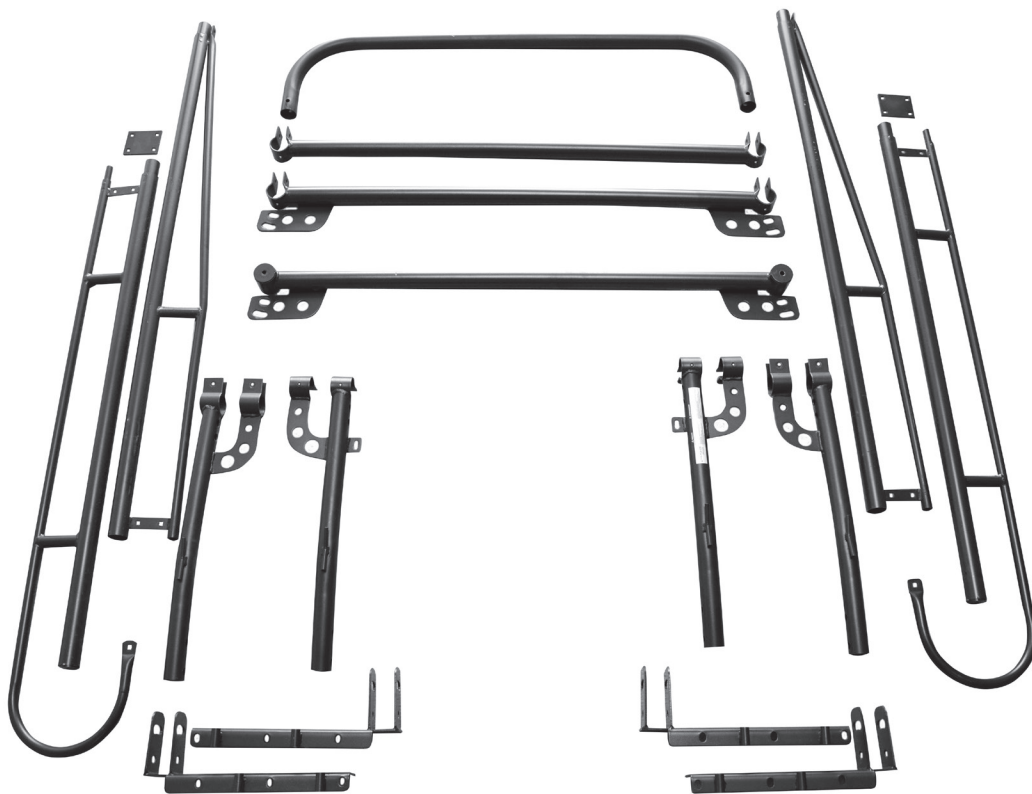
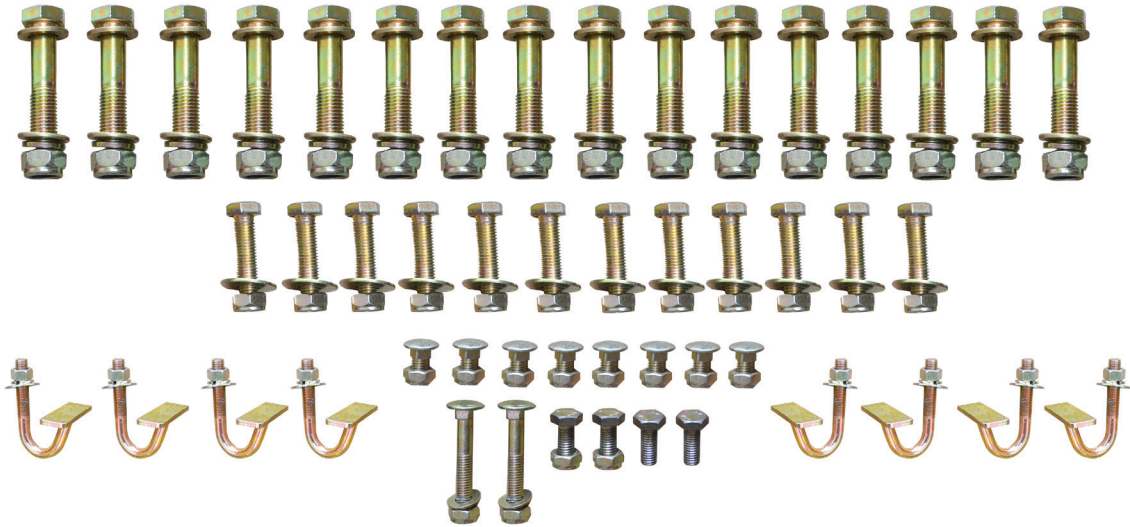
1. Do not exceed rated weight capacity of Truck Rack, distributed evenly.  
Be aware of dynamic loading! Sudden load movement may briefly create excess load causing product failure.
2. Do not exceed rated weight capacity of truck. Refer to truck's Gross Vehicle Weight Rating.
3. Strap load securely to Truck Rack.
4. Use as intended only.
5. Inspect before every use; do not use if parts loose or damaged.
6. This product is not a toy. Do not allow children to play with or near this item.
7. Maintain product labels and nameplates. These carry important safety information.
8. The warnings, precautions, and instructions discussed in this instruction manual cannot cover all possible conditions and situations that may occur. It must be understood by the operator that common sense and caution are factors which cannot be built into this product, but must be supplied by the operator.



Item#	Description	Q'ty	Item#	Description	Q'ty
1	Front Side Bar	2	15	M16 Lock nut	16
2	Cross Bar A	1	16	Back Side Bar	2
3	Cross Bar B	1	17	Rear right leg	1
4	M10*70 Carriage Bolt	2	18	Rear left leg	1
5	10 washer	2	19	Cross Bar C	1
6	M10 Lock nut	12	20	M10*25 Bolt	4
7	M12*55 Bolt	12	21	Connecting Plate	2
8	12 Washer	20	22	M10*20 Carriage Bolt	8
9	M12 nut	20	23	12 Spring Washer	8
10	Front Left Leg	1	24	J-Hook	8
11	Front Right Leg	1	25	Cab Bar	1
12	M16*85 Bolt	16	26	Front Right Foot	1
13	16 Washer	32	27	Front Left Foot	1
14	16 Spring Washer	16	28	Rear Right Foot	1
			29	Rear Left Foot	1

*Tip: Do not completely tighten nuts and bolts until very end once mounted on vehicle.*

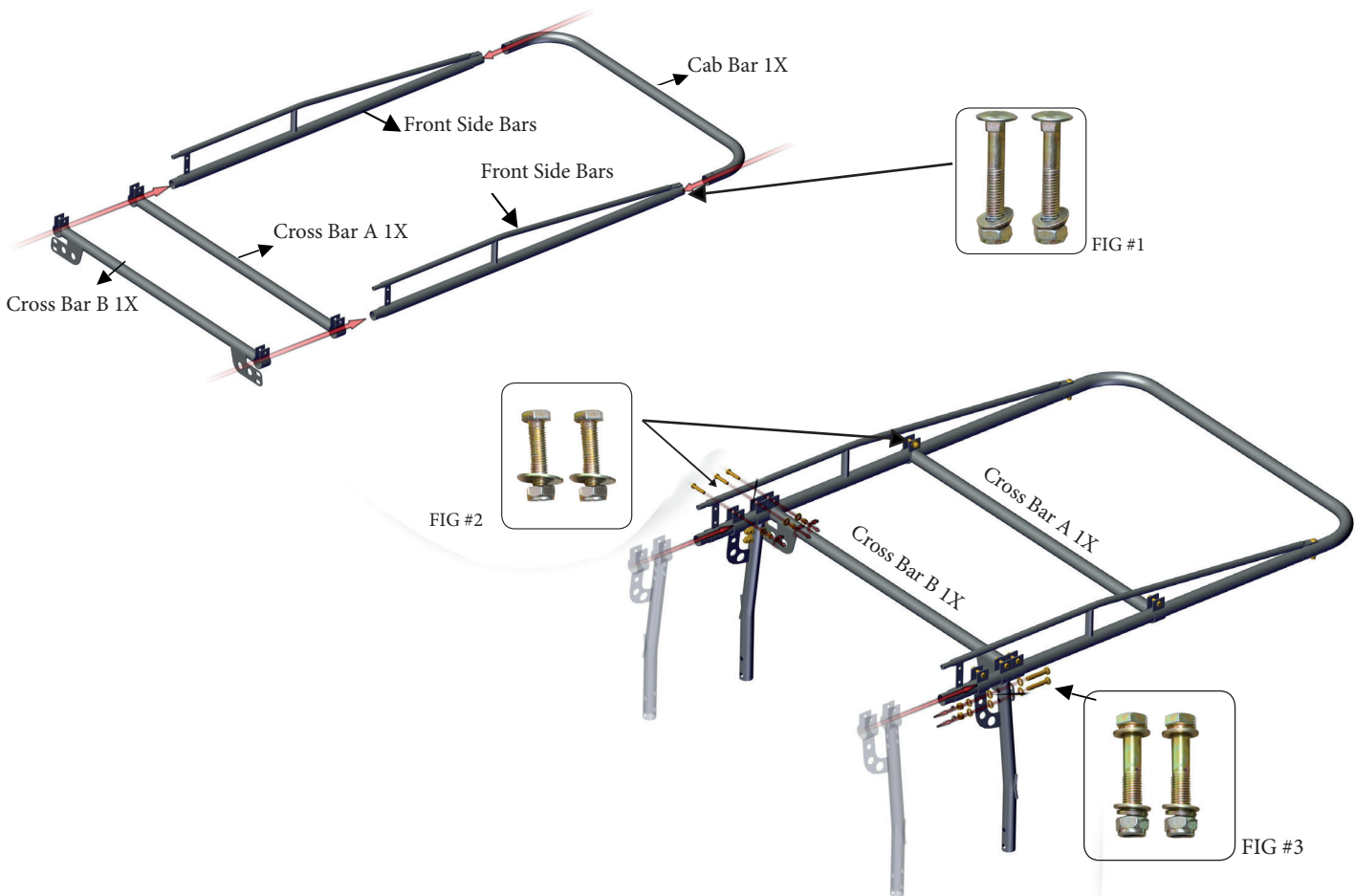
Tip: Laying out all the parts before building will eliminate searching and speed up construction.



**Step 1:**  
**Constructing front section of rack**

- A. Slide Cab Bar (Item 25) onto Front Side Bar's (Item 1)
  - i) Use Item # 4,5,6 from Bolt Package 1 to secure (Fig#1)
- B. Slide Cross Bar A (Item 2) onto Front Side Bar's (Item 1)
- C. Slide Cross Bar B (Item 3) onto Front Side Bar's (Item 1)
  - i) Make sure plate on Cross Bar B faces back of rack
  - ii) Secure both Cross Bars with Part 7,8,9 from Bolt Package 1 (Fig#2)
- D) Slide Left (Item 10) and Right (Item 11) Front Legs onto Front Side Bars. (Item 1)
  - i) Legs are installed behind Cross bar B.
  - ii) Make sure cleat faces outside.
  - iii) Secure top of legs using Part # 7,8,9 from Bolt Package 1 (Fig#1)
- E) Join Cross bar B with Legs on both sides.
  - i) Secure using Parts 12,13,14,15 from Bolt Package 1 (Fig#3)

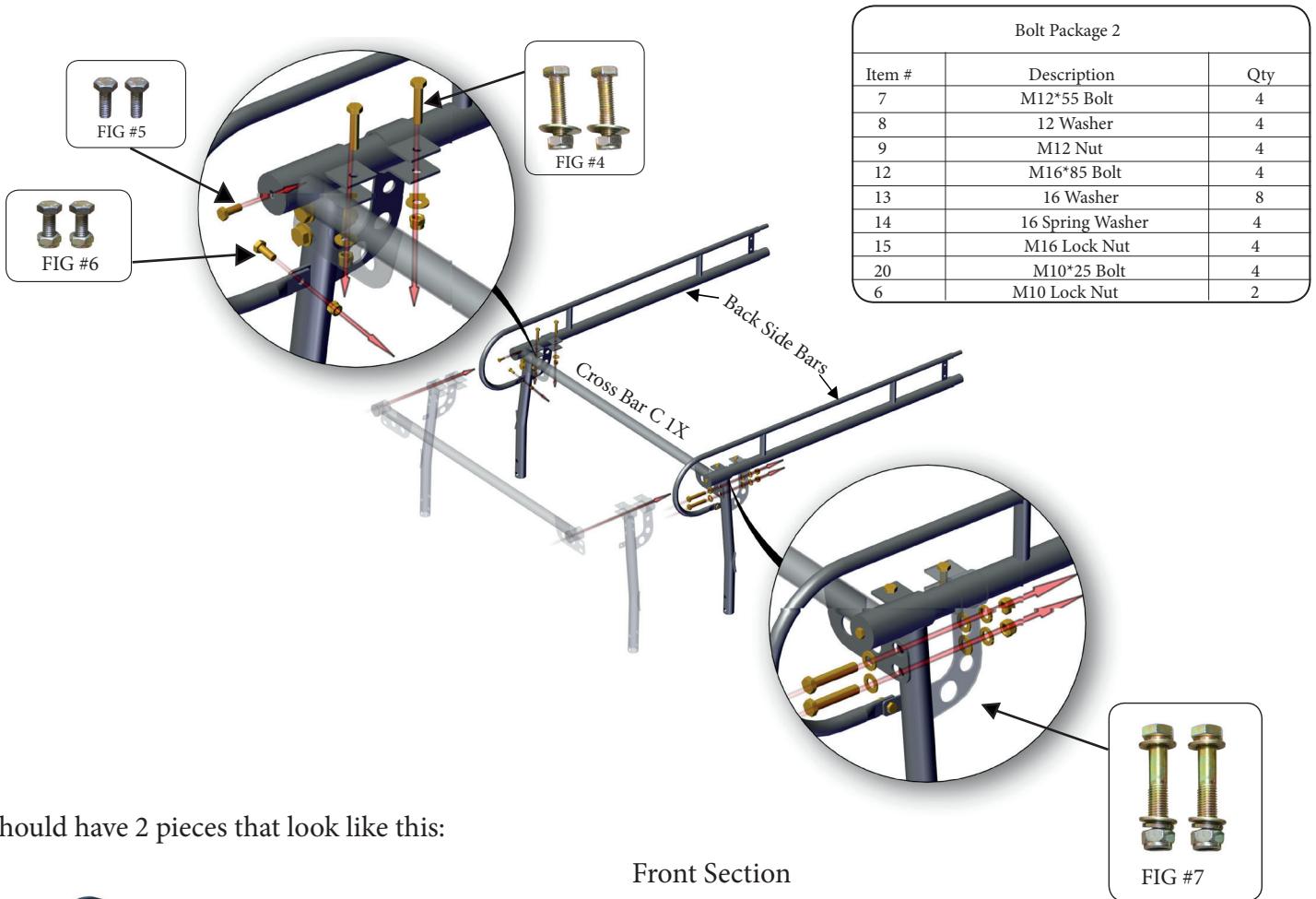
Bolt Package 1		
Item #	Description	Qty
4	M10*65 Carriage Bolt	2
5	10 Washer	2
6	M10 Lock Nut	2
7	M12*55 Bolt	8
8	12 Washer	8
9	M12 Nut	8
12	M16*85 Bolt	4
13	16 Washer	8
14	16 Spring Washer	4
15	M16 Lock Nut	4



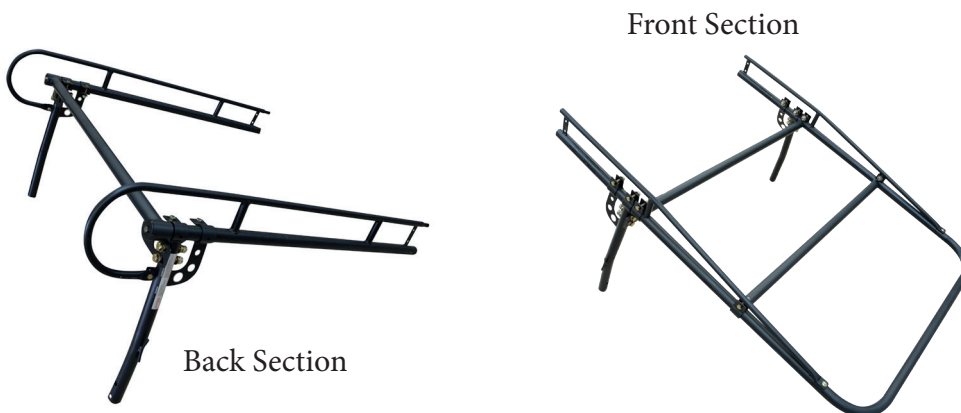
**Step 2:**

**Constructing rear section of rack**

- a) Slide the Left (Item 18) and Right (Item 17) Rear Legs onto the Rear-Side Bars (Item 16)
  - i) Make sure cleat faces outside
  - ii) Secure using Part 7,8,9 from Bolt Package 2 (Fig# 4)
- b) Slide Cross Bar C (Item 19) onto Back Side Rails (Item 16)
  - i) Make sure plate on Cross bar C faces front of rack
- c) Secure end caps of Cross bar to Rear Side Rails with Part 20 (Fig #5)
- d) Secure curved ends of Side bars to rear legs
  - i) Secure using Part 20 & 6 (Fig# 6)
- e) Join Cross Bar C to rear legs using Item 12,13,14,15 from Bolt Set 2 (Fig# 7)

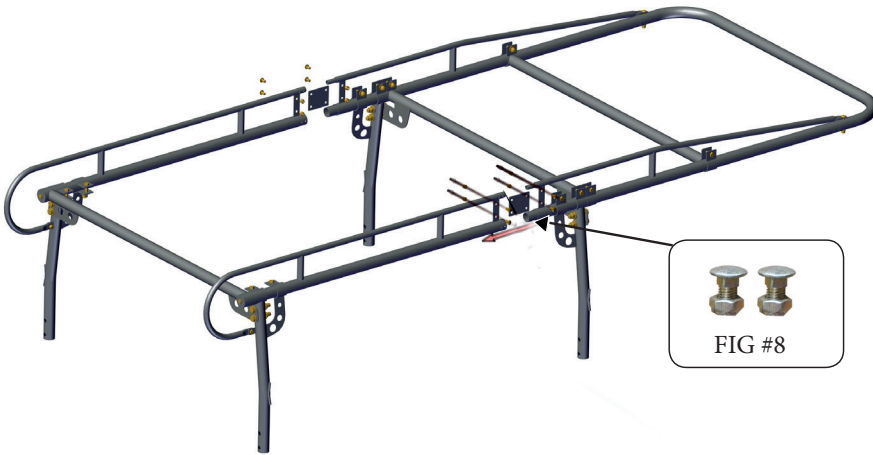


Should have 2 pieces that look like this:



**Step 3:  
Mounting front and rear section together**

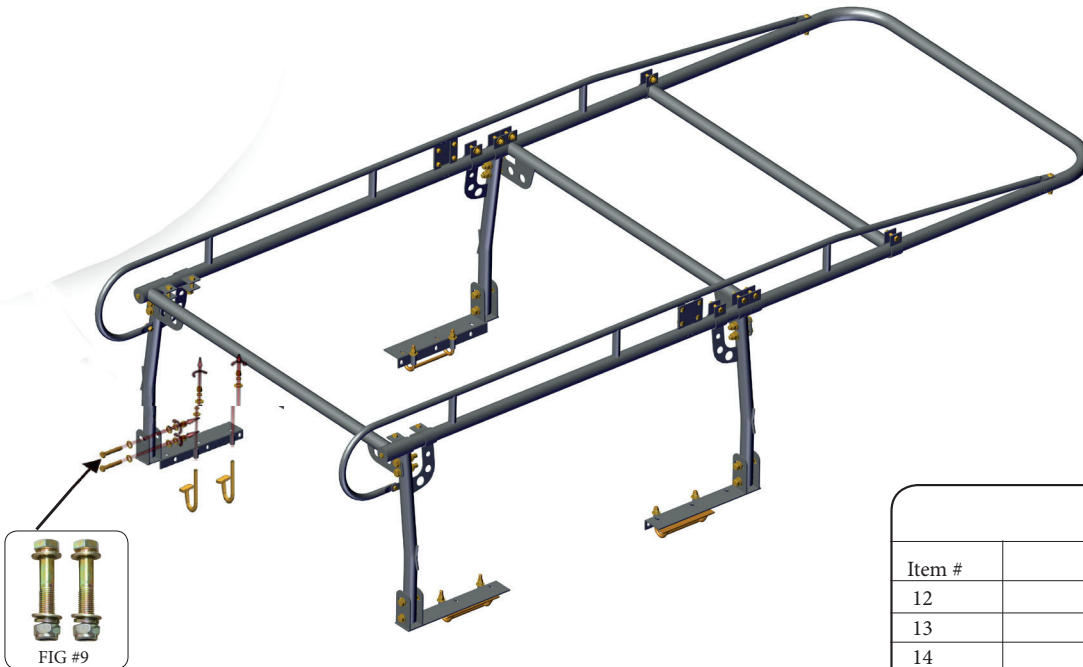
- a) Mount a Connecting Plate (Item 21) onto each side of Front Side Bars (Item 1)
- b) Slide Rear Side Bars (Item 16) into Front Side Bar (Item 1) and secure Connecting Plate (Item 21) to rear section.
  - i) Secure these in place, using Item 22 & 6 from Bolt Set 3 (Fig #8)



Bolt Package 3		
Item #	Description	Qty
22	M10*20 Carriage Bolt	8
6	M10 Lock Nut	8

**Step 4:  
Securing the feet and mounting hardware**

- a) Attach each foot to the corresponding leg. Make sure the lip faces inside the truck box.
  - i) Front Right Foot (Item 26) attaches to Front Right Leg (Item 11)
  - ii) Front Left Foot (Item 27) attaches to Front Left Leg (Item 10)
  - iii) Rear Right Foot (Item 28) attached to Rear Right Leg (Item 17)
  - iv) Rear Left Foot (Item 29) attaches to Rear Left Leg (Item 18)
  - v) Secure all using Item 12,13,14,15 from Bolt Set 4 (Fig# 9)



Bolt Package 4		
Item #	Description	Qty
12	M16*85 Bolt	8
13	16 Washer	16
14	16 Spring Washer	8
15	M16 Lock Nut	8

**Step 5:****Mounting the truck rack onto vehicle**

- a) Lift truck rack up onto bed rails so lip hangs inside truck box
  - i) Position rear feet first. Make sure not to impede tailgate operation
  - ii) Front legs are adjustable, slide into desired position
  - iii) **WARNING:** Position the rack as close to the cab as possible.

Going to far back can make **rack unstable and weak.**

- b) Insert J-Hook mounting bracket through tubes on each foot. (Fig#10)
- c) Tighten the J-Hook so feet are secured to bed rail
  - i) secure using Item# 8, 9, 23, 24 (Fig# 10)
- d) Ensure truck rack is centered over cab of vehicle. Once in the right position tighten hardware on all four legs to secure position.
- e) Tighten all hardware on Cross bars.
- f) Double check all hardware is tight

Bolt Package 5		
Item #	Description	Qty
24	J-Hook	8
8	12 Washer	8
23	12 Spring Washer	8
9	M12 Nut	8

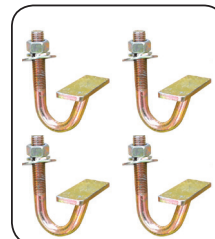
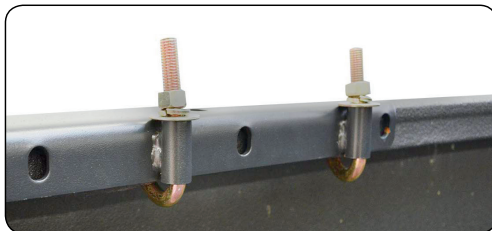


FIG #10