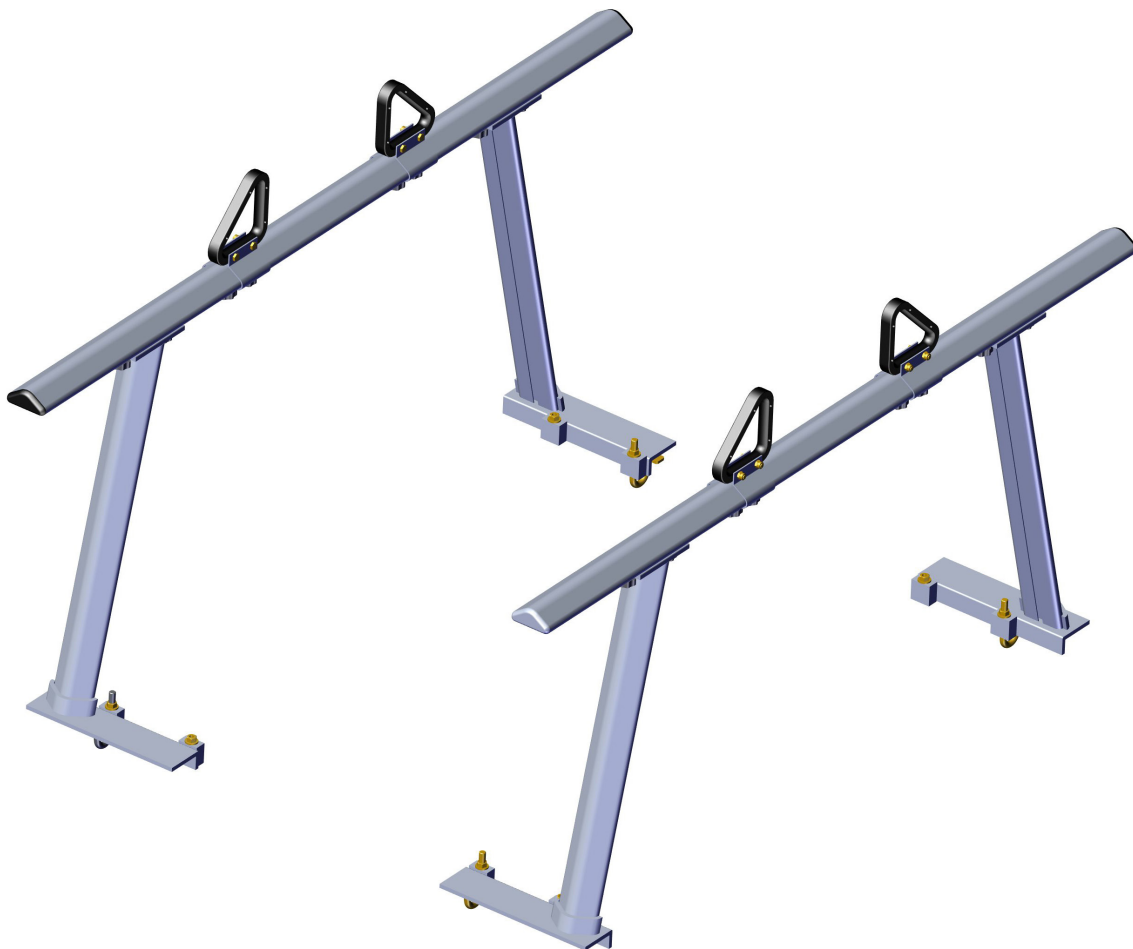
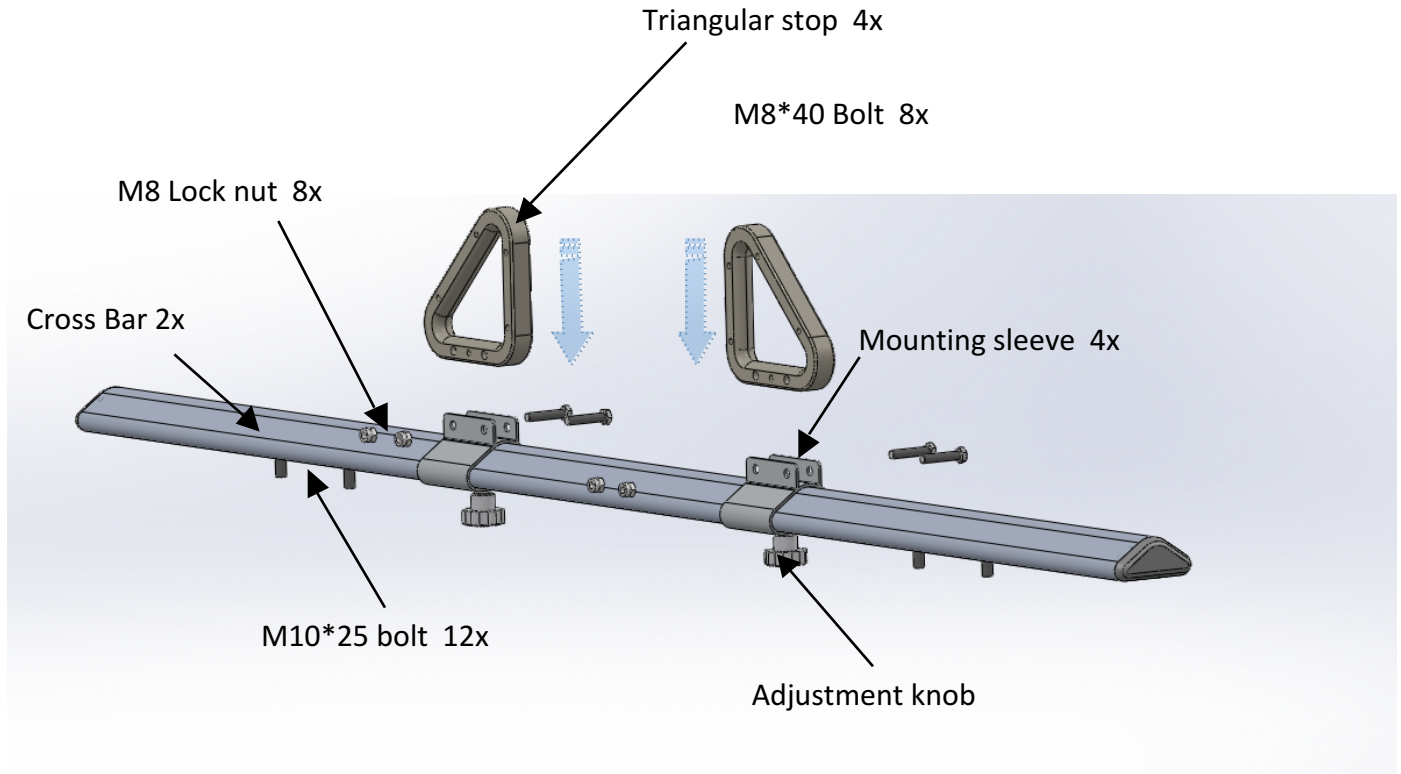


# 800 lb. ALUMINUM TRUCK RACK INSTRUCTION MANUAL

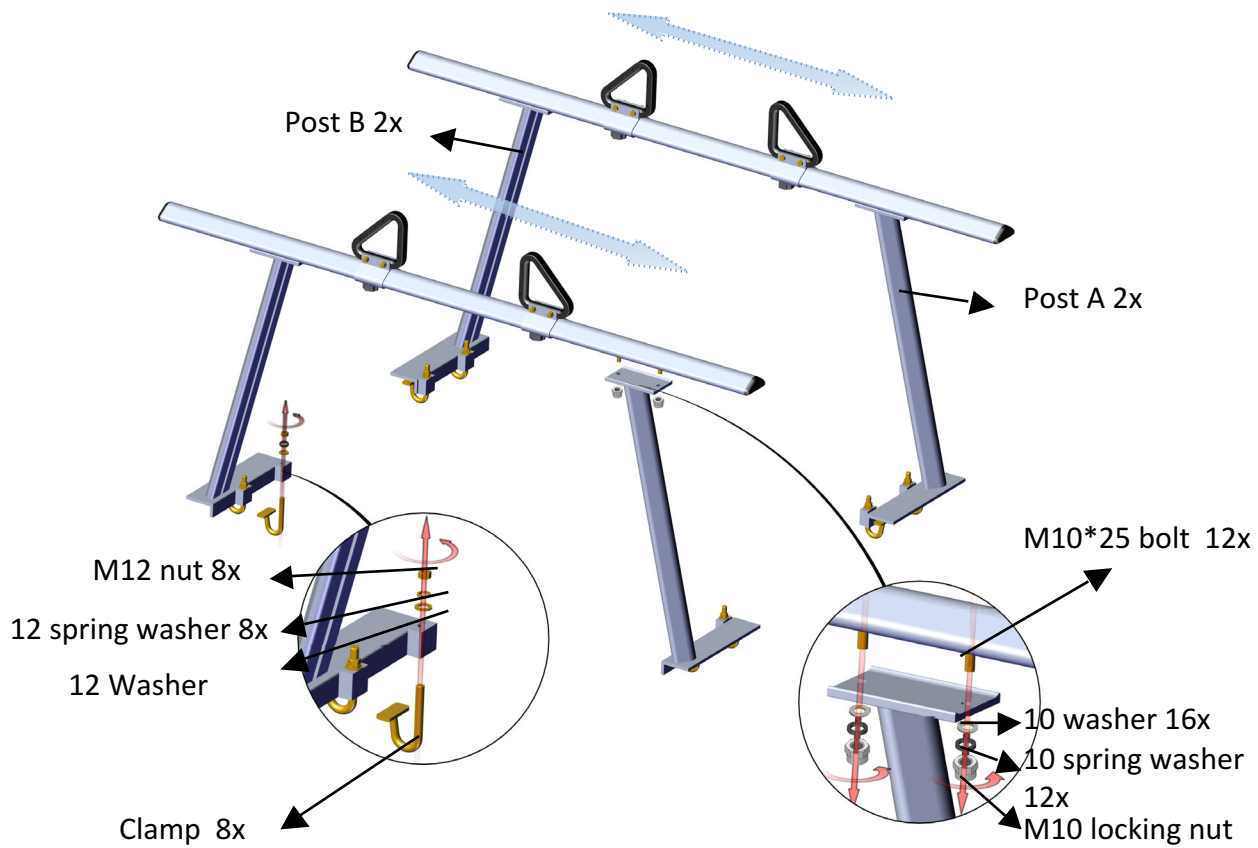
**ERICKSON**  
MANUFACTURING LTD.



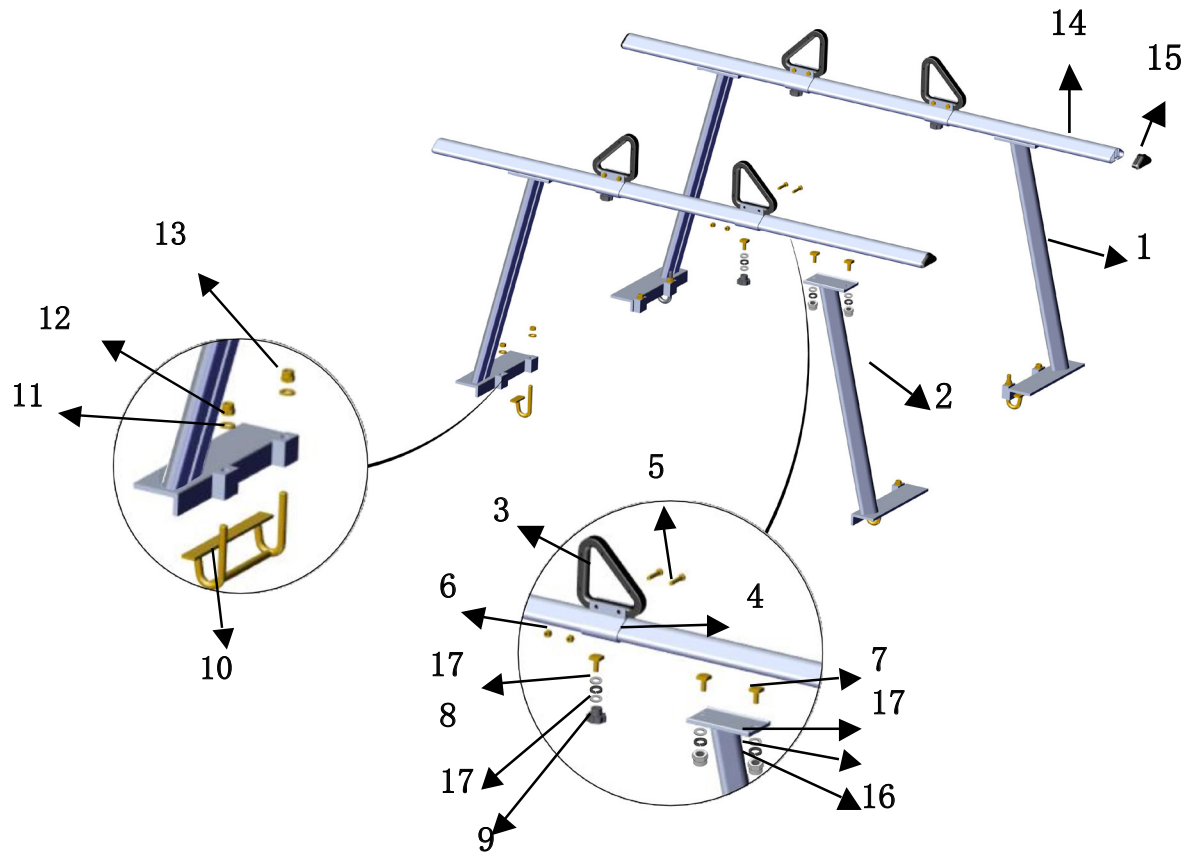
## INSTALLATION INSTRUCTIONS



1. Slide triangular stop (3) into a mounting sleeve (4), tighten with M8\*40 bolt (5) and M8 lock nut (6). Repeat until all 4 triangular stops are assembled.



2. Tighten Post A (1) and assemble cross bar with M10\*25 bolt (7), 10 spring washer (8), 10 washer (17) and M10 locking nut (16).
3. Tighten Post B (2) and assemble cross bar with M10\*25 bolt (7), 10 spring washer (8), 10 washer (17) and M10 locking nut (16).
4. Position one of the racks on your truck bed, place clamp (10) from downside, tighten with 12 washer (11), 12 spring washer (12) and M12 nut (13). Repeat for the additional 3 posts and clamps.



Item#	Description	Q'ty	Item#	Description	Q'ty
1	Post A	2	9	Adjustment knob	4
2	Post B	2	10	Clamp	8
3	Triangular stop	4	11	12 washer	8
4	Mounting sleeve	4	12	12 spring washer	8
5	M8*40 Bolt	8	13	M12 nut	8
6	M8 Lock nut	8	14	Cross Bar	2
7	M10*25 bolt	12	15	Plastic end cover	4
8	10 spring washer	12	16	M10 Locking Nut	8
			17	10 Washer	16

**READ ALL SAFETY WARNINGS AND INSTRUCTIONS.**

Failure to follow the warnings and instructions may result in serious injury.  
Save all warnings and instructions for future reference.

**INSTALLATION PRECAUTIONS**

1. Follow DOT regulations regarding installation and use.
2. Park truck on a flat, level, hard surface well away from traffic. Place transmission in park/neutral and set parking brake.
3. Verify that installation surface has no hidden wires before drilling or driving screws.
4. Install only according to these instructions. Improper installation can create hazards.
5. Wear ANSI-approved safety goggles and heavy-duty work gloves during assembly and installation.
6. Mount Truck Rack securely to vehicle.
7. Keep installation area clean and well lit.
8. Keep bystanders out of the area during installation.
9. Do not install when tired or when under the influence of drugs or medication.
10. Weight capacity and other product capabilities apply to properly and completely installed product only.

**USE PRECAUTIONS**

1. Do not exceed rated weight capacity of Truck Rack, distributed evenly.  
Be aware of dynamic loading! Sudden load movement may briefly create excess load causing product failure.
2. Do not exceed rated weight capacity of truck. Refer to truck's Gross Vehicle Weight Rating.
3. Strap load securely to Truck Rack.
4. Use as intended only.
5. Inspect before every use; do not use if parts loose or damaged.
6. This product is not a toy. Do not allow children to play with or near this item.
7. Maintain product labels and nameplates. These carry important safety information.
8. The warnings, precautions, and instructions discussed in this instruction manual cannot cover all possible conditions and situations that may occur. It must be understood by the operator that common sense and caution are factors which cannot be built into this product, but must be supplied by the operator.