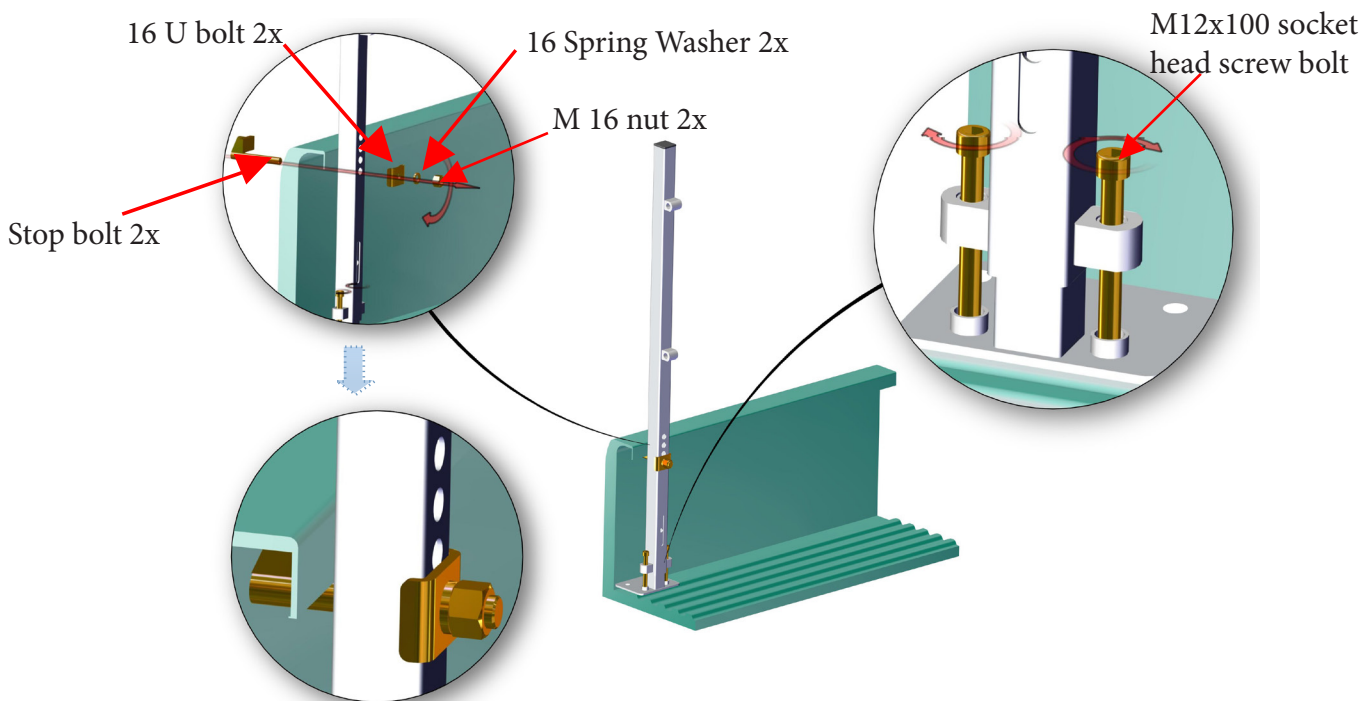
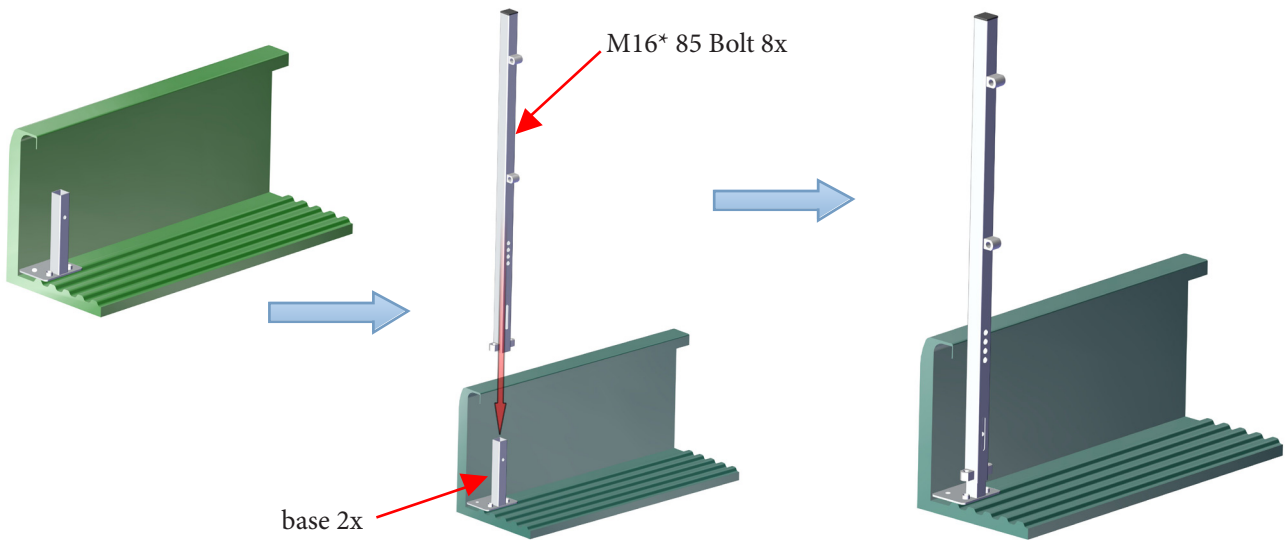


250 lb. LADDER RACK



READ ALL SAFETY WARNINGS AND INSTRUCTIONS.

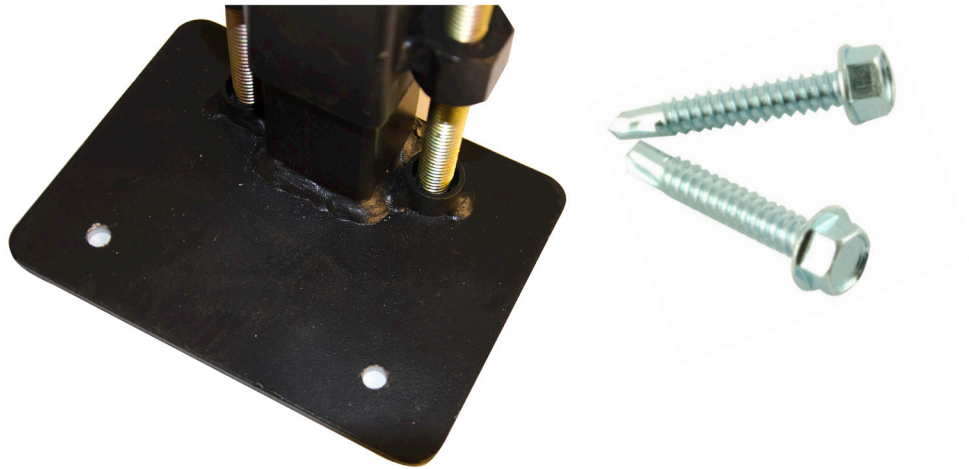
Failure to follow the warnings and instructions may result in serious injury.
Save all warnings and instructions for future reference.



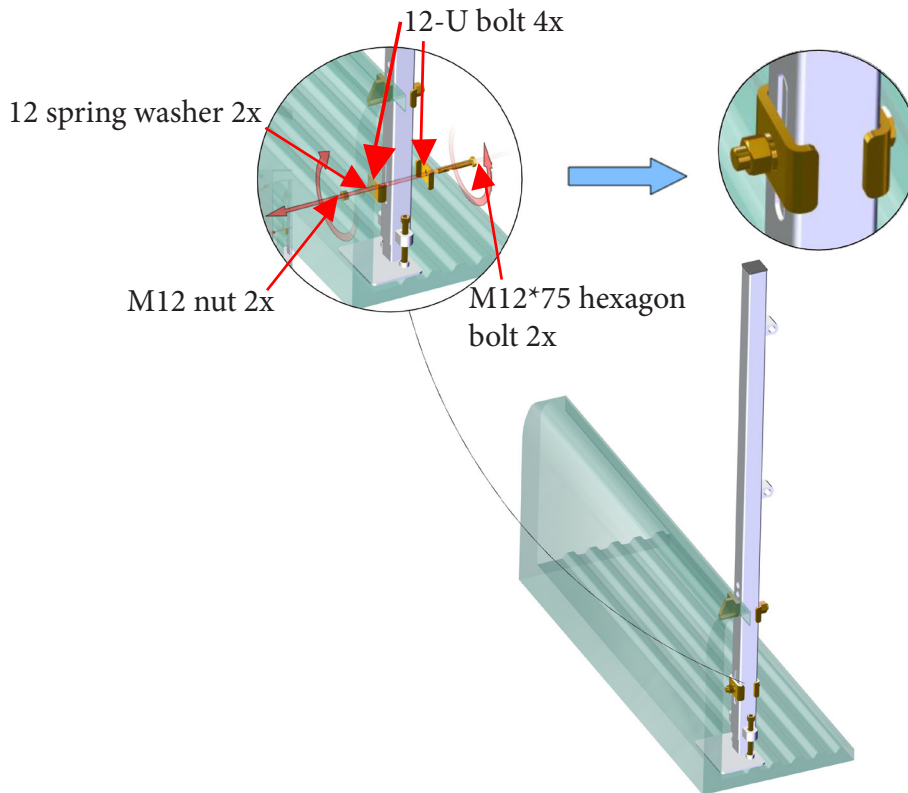
1. Secure the frame with 2pcs M12X100 Socket Head Screw Bolts (7).
2. Take a Stop Bolt(3) and out it under the lip of your truck bed and putting it through the hole on the frame (1), screw with 16-U Bolts (12) and M16 Nuts (10).

PLEASE NOTE: When attaching to a bedliner, modifications to the liner may be required.

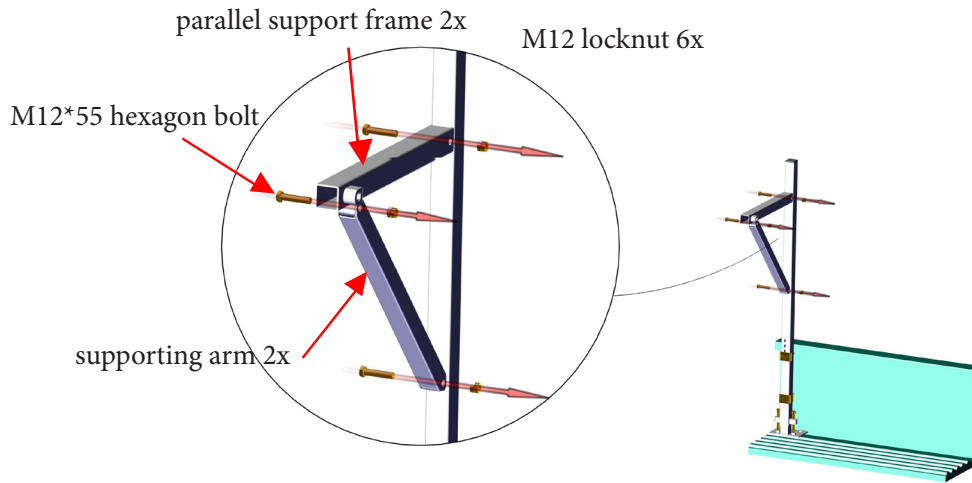
3. Repeat the process from 2 and through on the additional frame



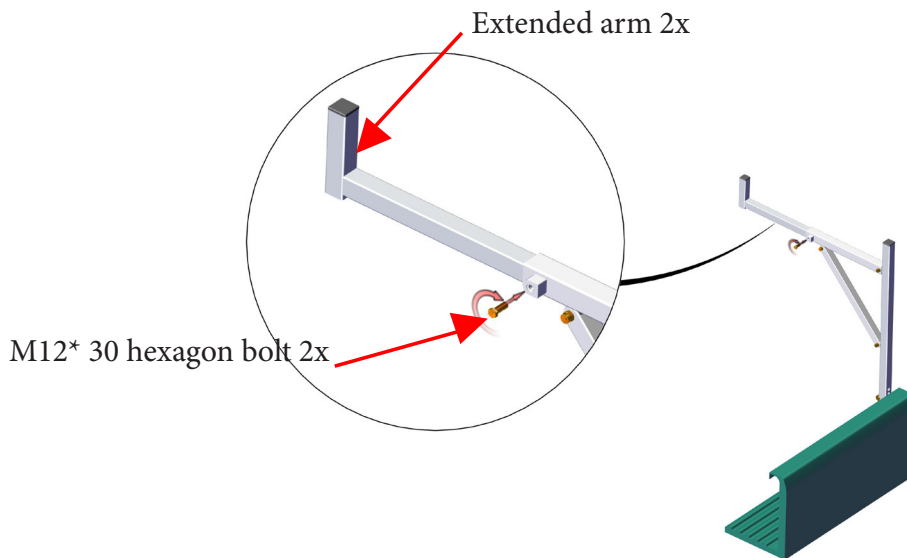
4. Once you are satisfied with the placement and mounting, use two self tapping screws (supplied) to secure to the base of the bed.



5. Adjust the height based on the height of your truck rack bed, fix the position and tighten with M12*75 Hexagon Bolt (9), 12 U Bolts (4), 12 Spring Washers (6) and M12 Nuts (5). Repeat it to secure the other post.

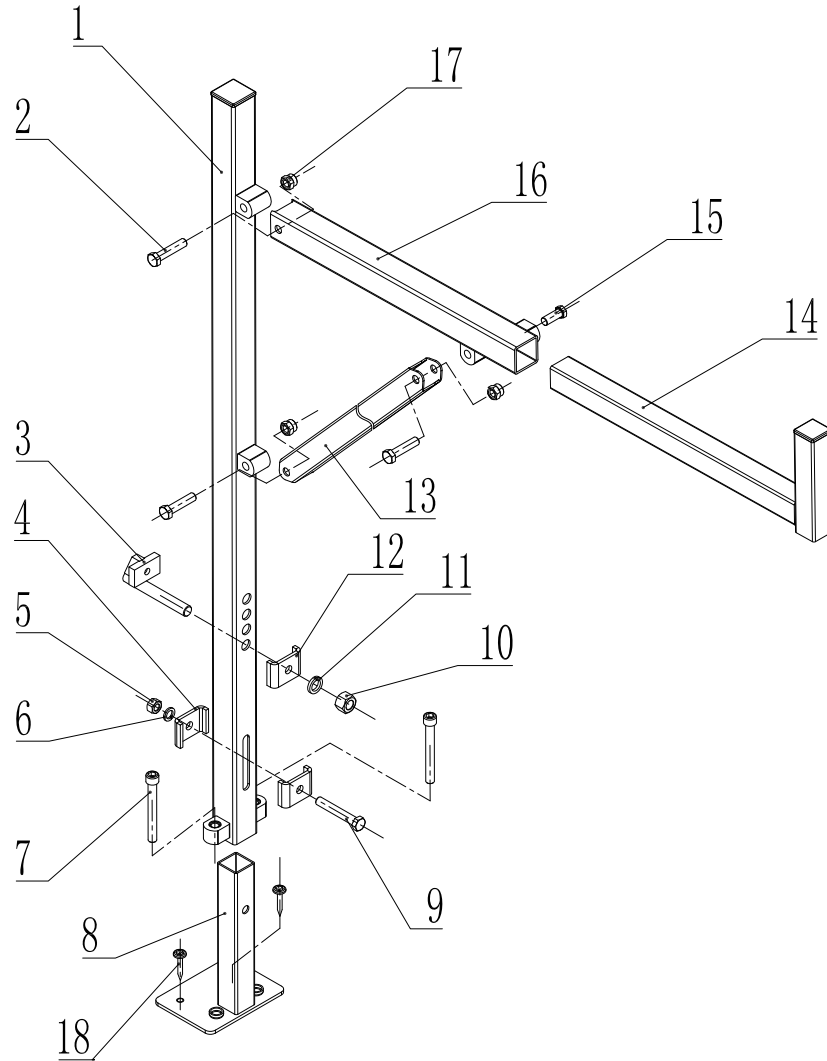


6. Attach the supporting arm(13) and Parallel supporting frame(16) to the post, tighten with M12 lock nut(17) and M12*55 hexagon bolt(2).



7. Attach the extended arms (14) with a M12*30 Hexagon Bolt (15).

EXPLOSION DIAGRAM AND PARTS LIST



Item#	Description	Q'ty	Item#	Description	Q'ty
1	Frame	2	10	M16 nut	2
2	M12*55 hexagon bolt	6	11	16 spring washer	2
3	Stop bolt	2	12	16-U bolt	2
4	12-U bolt	4	13	Supporting arm	2
5	M12 nut	2	14	Extended arm	2
6	12 spring washer	2	15	M12*30 hexagon bolt	2
7	M12X100 Socket head screw bolt	4	16	parallel support frame	2
8	base	2	17	M12 locknut	6
9	M12*75 hexagon bolt	2	18	Self-tapping screw	4

READ ALL SAFETY WARNINGS AND INSTRUCTIONS.

Failure to follow the warnings and instructions may result in serious injury.
Save all warnings and instructions for future reference.

INSTALLATION PRECAUTIONS

1. Follow DOT regulations regarding installation and use.
2. Park truck on a flat, level, hard surface well away from traffic. Place transmission in park/neutral and set parking brake.
3. Verify that installation surface has no hidden wires before drilling or driving screws.
4. Install only according to these instructions. Improper installation can create hazards.
5. Wear ANSI-approved safety goggles and heavy-duty work gloves during assembly and installation.
6. Mount Truck Rack securely to vehicle.
7. Keep installation area clean and well lit.
8. Keep bystanders out of the area during installation.
9. Do not install when tired or when under the influence of drugs or medication.
10. Weight capacity and other product capabilities apply to properly and completely installed product only.

USE PRECAUTIONS

1. Do not exceed rated weight capacity of Truck Rack, distributed evenly.
Be aware of dynamic loading! Sudden load movement may briefly create excess load causing product failure.
2. Do not exceed rated weight capacity of truck. Refer to truck's Gross Vehicle Weight Rating.
3. Strap load securely to Truck Rack.
4. Use as intended only.
5. Inspect before every use; do not use if parts loose or damaged.
6. This product is not a toy. Do not allow children to play with or near this item.
7. Maintain product labels and nameplates. These carry important safety information.
8. The warnings, precautions, and instructions discussed in this instruction manual cannot cover all possible conditions and situations that may occur. It must be understood by the operator that common sense and caution are factors which cannot be built into this product, but must be supplied by the operator.

WARRANTY EXCLUSIONS

This warranty does not cover the following repairs and equipment:

NORMAL WEAR

This warranty does not cover the repair when use has exhausted the life of a part or the equipment as a whole.

INSTALLATION, USE AND MAINTENANCE

This warranty will not apply to parts and/or labor if this product is deemed to have been misused, neglected, involved in an accident, abused, loaded beyond specifications, modified, or installed improperly. Normal maintenance is not covered by this warranty.