

BIG BED[®] JUNIOR **'TAILGATE EXTENDER'**

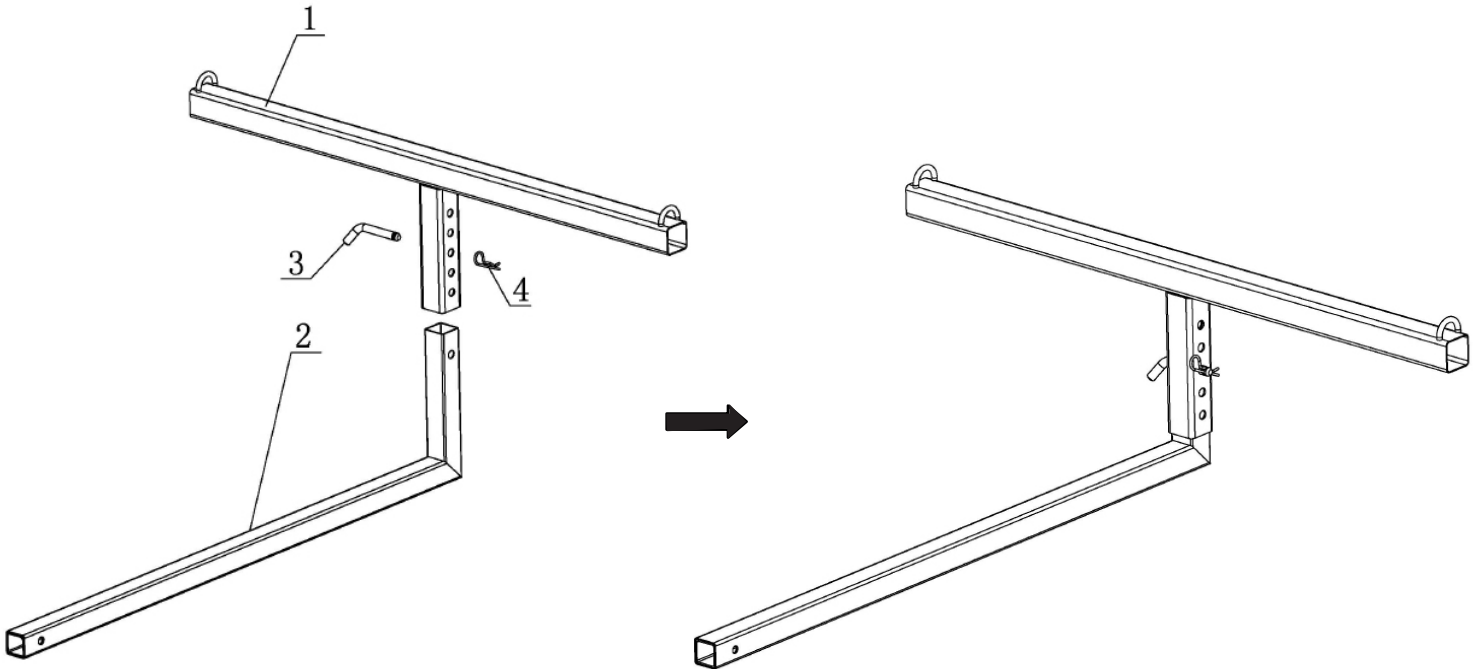
To avoid personal injury and/or property damage, please read and follow ALL instructions before assembling and operating.

1. Never overload Big Bed[®] Junior. Maximum capacity is 350 lb. (Evenly distributed load).
2. A **2" receiver** is required to use the Big Bed Junior. Refer to manufacturer's hitch capacity.
3. Long and heavy loads reduce control of steering, and braking capability. Use extreme caution when hauling longer loads. Test control before accelerating.
4. The load must rest and extend beyond the horizontal support of the apparatus.
5. Secure the load by utilizing the tie-down hook holes with weight appropriate strap. Fasten a red flag to mark the end of the load.
6. Do not leave the Big Bed in the receiver unless in use.
7. Check Government regulations for specific laws in your province or state on the allowable overhang out the back of your vehicle.
8. Proper use of this product is critical to safety, and beyond the control of Erickson Manufacturing Ltd. Erickson Manufacturing Ltd. neither guarantees nor is liable for any damage resulting from improper use. The liability of this product is limited to its purchase price if it proves to be defective in material and/or workmanship.

Usage

Ideal for short-bed trucks, SUVs, vans, rhino/gators, and all other vehicles capable of hauling a load. We recommend using your new Big Bed for the following :

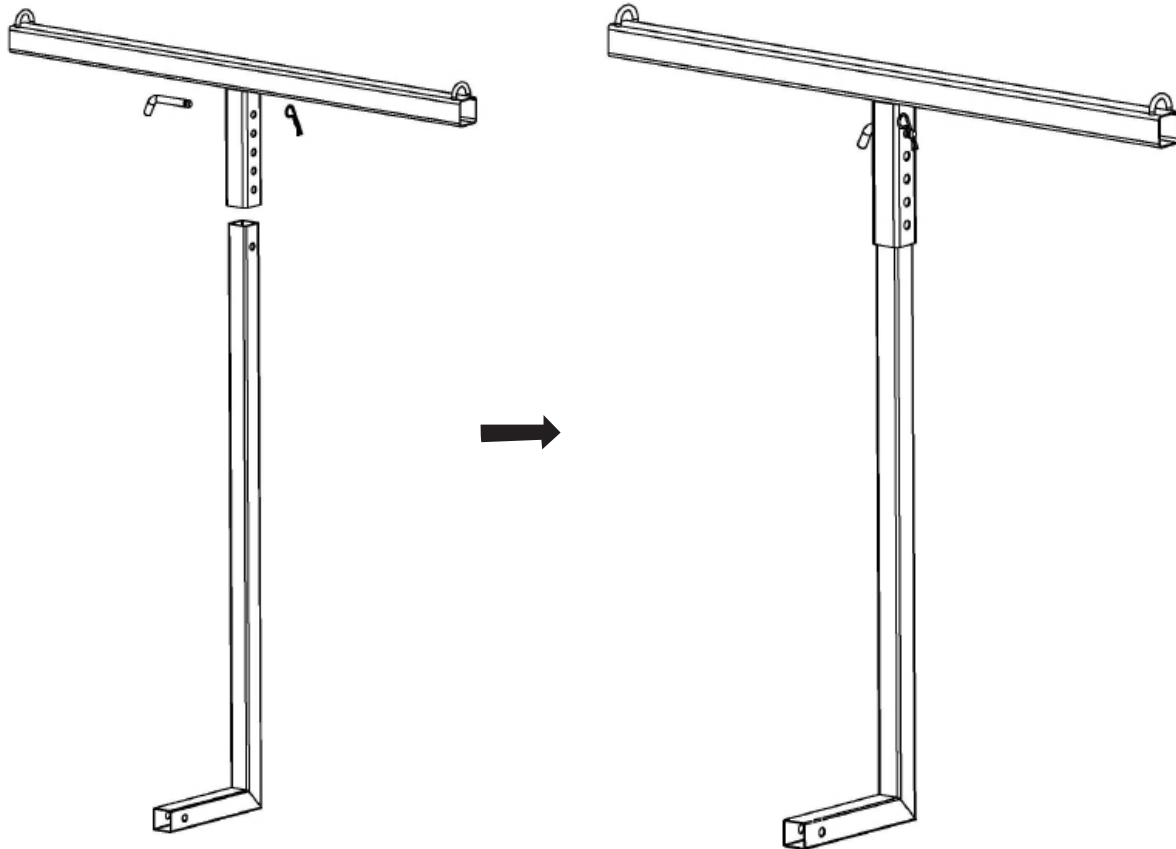
- Lumber
- Canoes
- Extension ladders
- Oversized sheets of plywood and drywall
- Utilize it as an extended workspace/bench
- Throw a tailgate party
- Create additional space for your hunting gear and supplies



The extender can be assembled two different ways, respectively with the long end or short the end of L-extension (2) connecting to the T-support(1)

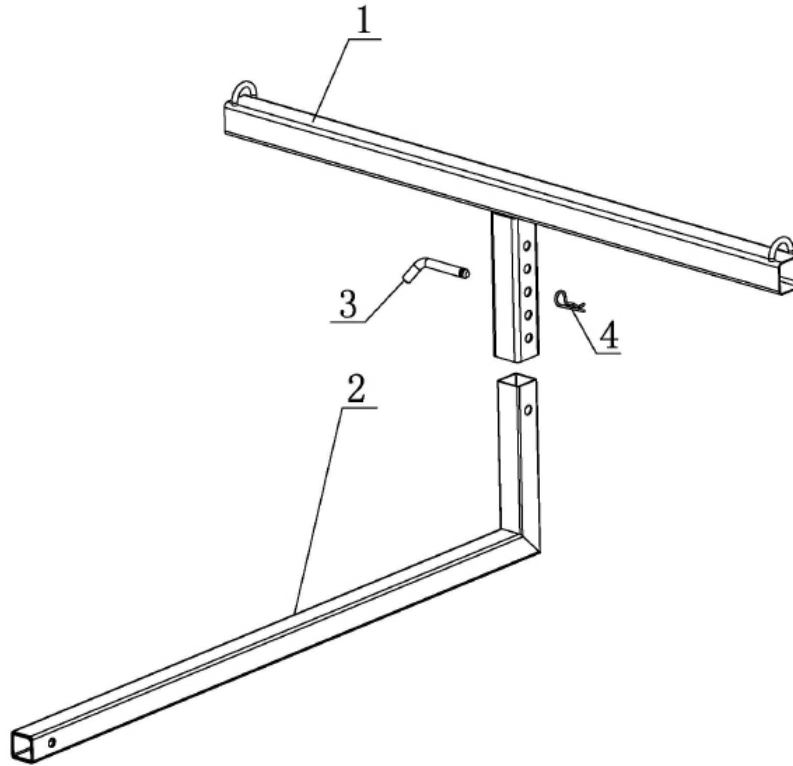
ASSEMBLY 1,

1. With the short end of the L-extension (2) facing up, slide it into the T-support (1);
2. The T-support (1) has 5 holes to change the height. Line up the hole on the T-support (1) with the desired hole on the L-extension (2);
3. Insert the pin lock (3) through the T-support (1) and the L-extension (2), secure with 3.8 cotter pin (4).
4. Pull on the L-extension (2) and the T-support(1) to make sure they are properly locked in place.



ASSEMBLY 2

Assembly 2 are all same with that of assembly 1 expect that we change the connection side of L-extension (2) to be the long end for the T-support(1).

**Part List**

Part#	Description	Q'ty	Part#	Description	Q'ty
1	T-support	1	3	16 Pin	1
2	L-extension	1	4	3.8 Clip	1