

# **BIG BED**

## **'HIGH-MOUNT ADAPTER' by ERICKSON**

MANUFACTURING LTD.

**To avoid personal injury and/or property damage, please read and follow ALL instructions before assembling and operating.**

1. Never overload Big Bed®. Maximum capacity is 400 lb. (Evenly distributed load).
2. A **2" receiver** is required to use the Big Bed. Refer to manufacturer's hitch capacity.
3. Long and heavy loads reduce control of steering, and braking capability. Use extreme caution when hauling longer loads. Test control before accelerating.
4. Ensure that the locking pin (B & C), hitch pin (not included) are securely fastened to the Big Bed.
5. The load must rest and extend beyond the horizontal support of the apparatus.
6. Secure the load by utilizing the tie-down hook holes with weight appropriate strap. Fasten a red flag to mark the end of the load.
7. Do not leave the Big Bed in the receiver unless in use.
8. Check Government regulations for specific laws in your province or state on the allowable overhang out the back of your vehicle.
9. Proper use of this product is critical to safety, and beyond the control of Erickson Manufacturing Ltd. Erickson Manufacturing Ltd. neither guarantees nor is liable for any damage resulting from improper use. The liability of this product is limited to its purchase price if it proves to be defective in material and/or workmanship.

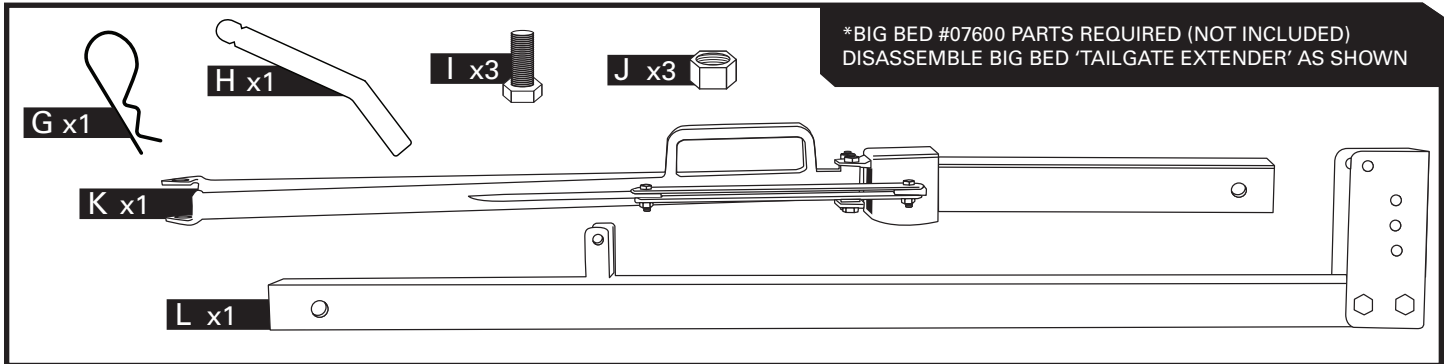
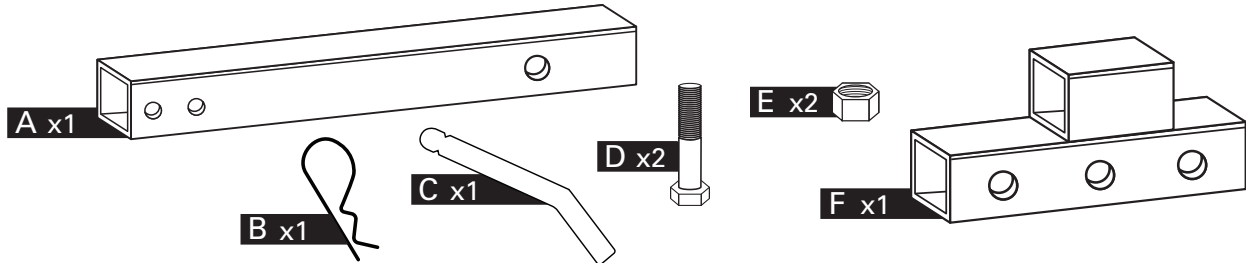
## **Usage**

Ideal for short-bed trucks, SUVs, vans, rhino/gators, and all other vehicles capable of hauling a load. We recommend using your new Big Bed 'High-Mount Adapter' for the following:

- Canoes
- Extension ladders
- Oversized sheets of plywood and drywall

# Specifications

Rated Capacity	400 lb.
Dimensions (Installed)	67.8" x 52" x 32.2"



# Assembly

\*Use of the Big Bed 'High-Mount Adapter' requires the Big Bed 'Tailgate Extender' to function.

**Step 1** Remove Big Bed 'High-Mount Adapter' from all packaging and ensure each part is included.

**Step 2** Disassemble the Big Bed 'Tailgate Extender' and ensure each part is available.

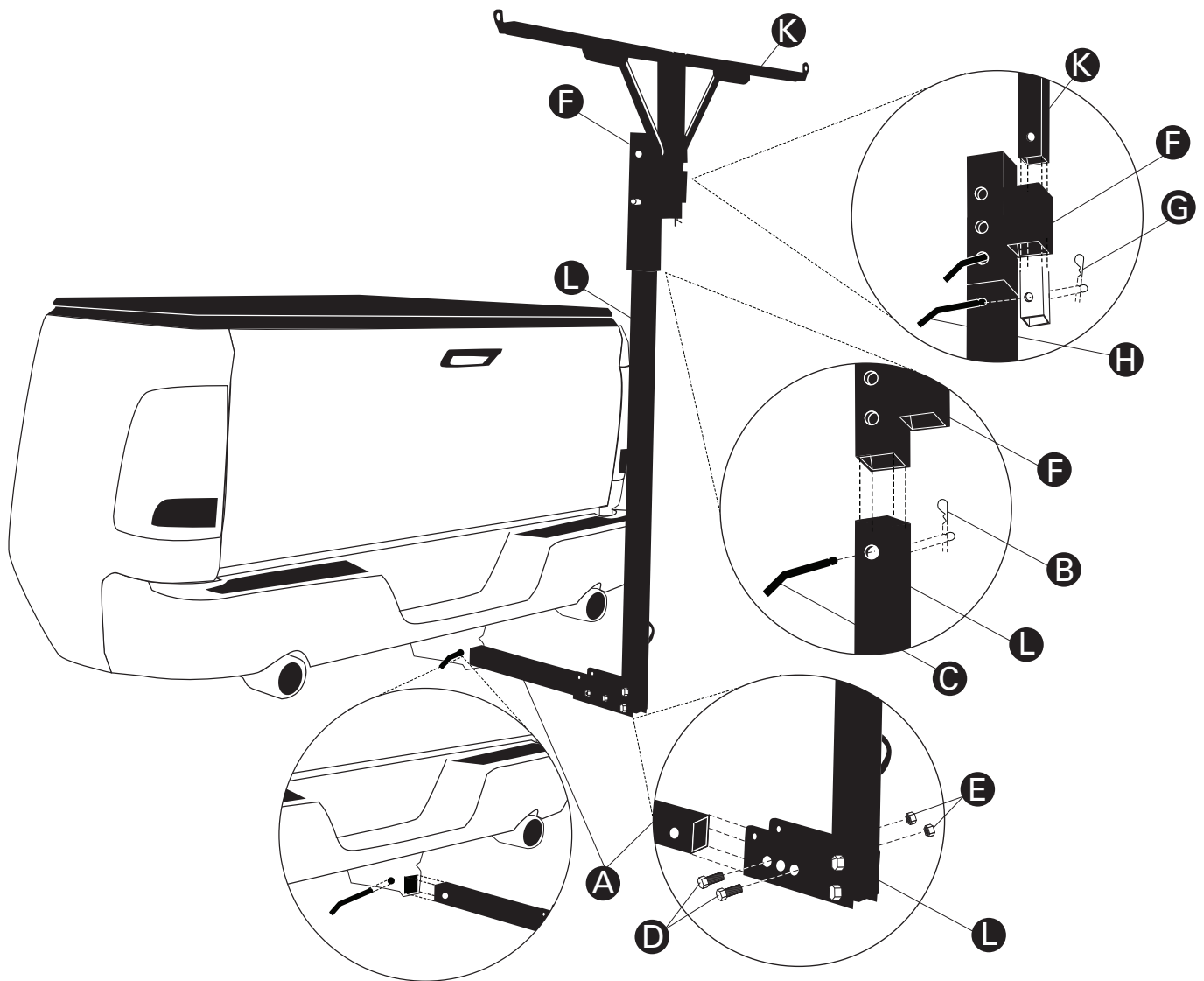
**Step 3** Align part (A) with the bracket of part (L) and secure with bolts (D) and nuts (E) into the first and third holes. Tighten with socket wrench.

**Step 4** Insert part (F) into the length of part (L) and secure with locking pin (B & C) /or nut (J) and bolt (I). Height can be adjusted by moving the locking pin (B & C) into any of the three holes.

**Step 5** Insert part (K) into the cavity of part (F). Secure with locking pin (G & H) /or nut (J) and bolt (I).

**Step 6** After use, the Big Bed 'High-Mount Adapter' must be disassembled. Reverse steps 5 through 3.

**\*Recommended** - Insert the locking pin (B & C), and bolts (D) and nuts (E) into the three holes of part (F). Insert part (A) into the cavity of part (F) and stow in clean-dry area. Re-assemble the Big Bed 'Tailgate Extender' and stowe with the Big Bed 'High-Mount' adapter.



## Installation

**Step 1** Insert the assembled Big Bed 'High-Mount Adapter' apparatus into a 2 inch receiver hitch (not included). Install hitch pin (not included) to secure the Big Bed.

**Step 2** Ensure the apparatus is secure to the vehicle. Spread the apparatus (K).

**Step 3** Ensure the height of the vehicle cab/sports rack is equal to Big Bed 'High-Mount Adapter'. The height can be raised/lowered by adjusting the locking pin (B & C) in part (F & K)

**Step 4** Evenly distribute the load across the Big Bed 'High-Mount Adapter'. Fasten the load securely with load appropriate tie-down straps.

**Step 5** Secure a red flag to mark the end of the load. If hauling in the evening fasten a light to the load to mark the end of the load.